

Immersion Heaters

Overview

- Screw Plug Heaters
- Flanged Heaters
- Over-the-Side Heaters

Immersion heaters are designed for direct contact heating of water, oils, viscous materials, solvents, process solutions and gases. Since all heat is generated within the liquid or process, virtually 100% energy efficiency is achieved. Various temperature control options permit very tight process temperature control. Basic mounting options of threaded screwplug connections, flanges or simple over-the-side designs facilitate customer installation. A large selection of designs is available from stock for immediate delivery. Products are available for heating any fluid, from plain water to corrosive solutions, highly viscous oils, and for many specialized applications such as high pressure and hazardous areas. Custom engineered designs are also routinely manufactured by Chromalox.

Screw Plug Heaters



Screw Plug Immersion Heaters consist of hairpin bent tubular elements brazed or welded into a screw plug and provided with terminal enclosures for electrical connections. Screw plug immersion heaters are screwed directly through a threaded opening in a tank wall or into a matching half coupling.

Flanged Heaters



Flanged Immersion Heaters consist of hairpin bent tubular elements welded or brazed into a flange and provided with terminal enclosures for electrical connections. Flange heaters are installed by bolting to a matching flange welded to the tank wall or nozzle.

Over-the-Side Immersion Heaters are designed for installing in the top of a tank with the heated portion directly immersed along the side or at the bottom. This provides easy removal of the heater and ample working space inside the tank. These heaters are available with heating elements made of copper, steel, stainless steel, lead, cast iron, INCOLOY®, Titanium, Teflon® coated and quartz.

Over-the-Side Heaters



Screw Plug Immersion Heaters

Overview

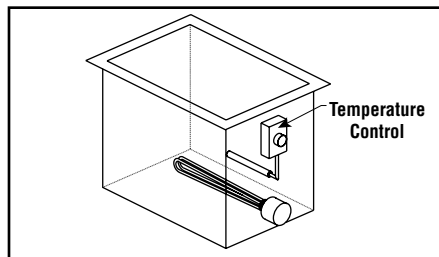
Description

Screw Plug Immersion Heaters consist of hairpin bent tubular elements brazed or welded into a screw plug and provided with terminal enclosures for electrical connections. Screw Plug Immersion Heaters are screwed directly through a threaded opening in a tank wall or through a matching pipe coupling or half coupling. Sizes of screw plug heaters are available with 1/2, 3/4, 1, 1-1/4, 2 and 2-1/2" pipe threads. A wide selection of screwplug sizes, kilowatt ratings, voltages, sheath materials, terminal enclosures and thermostats makes these compact heaters ideal for all types of applications.

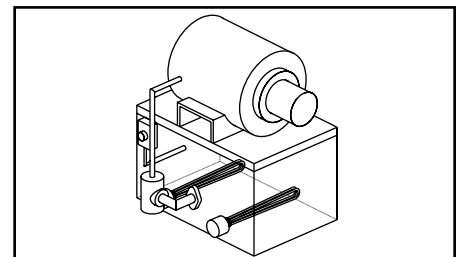
Applications

Screw Plug Immersion Heaters are used for heating liquids and gases in a variety of processes. These heaters are ideal for process water heating and freeze protection. All types of oils and heat transfer solutions can also be heated using these compact, easily controlled units. The direct immersion method is energy efficient and well suited for many applications.

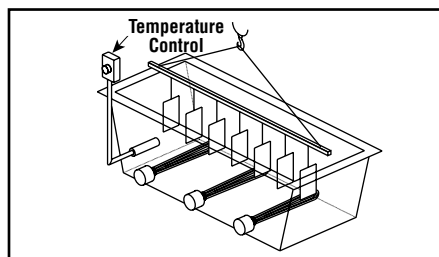
- Hot Water Storage Tanks
- Warming Equipment
- Preheating all Grades of Oil
- Food Processing Equipment
- Cleaning and Rinsing Tanks
- Heat Transfer Systems
- Process Air Equipment
- Boiler Equipment
- Freeze Protection of Any Fluid



MT — screwed into tank wall parallel to bottom for use as a hot water rinse.



MTO — used to preheat oil to ensure efficient lubrication for heavy motor.



MTO — applied to conveyorized degreasing operation of many parts at once.

Screw Plug Immersion Heaters

Selection Guidelines

Selecting a Screw Plug Heater

The selection of the proper screw plug immersion heater requires critical engineering judgement. After determining the heat requirement (see the Technical section of this catalog), the proper selection of the screw plug material, heating element sheath material and correct watt density is critical for long life of the heater. The following table may be used as a guide to this selection, along with the Technical Information at the back of this catalog. Ultimate choice is determined by the knowledge of the process and engineering acumen of the plant engineer.

Application Factors

Heater application is influenced by the following parameters.

- ① The heated media, viscosity, specific heat, density and corrosive properties.
- ② Contaminants or pH present in the media.
- ③ The corrosion resistant properties of heater sheath material.
- ④ Watt density of the heating element—the heat output per square inch.
- ⑤ Screw plug material.

Typical Applications

See screw plug immersion heater selection guide below for your application.

- Hot Water Storage Tanks
- Warming Equipment
- Preheating all Grades of Oil
- Food Processing Equipment
- Cleaning and Rinsing Tanks
- Heat Transfer Systems
- Process Air Equipment
- Boiler Equipment
- Freeze Protection of Any Fluid

Screw Plug Immersion Heaters — Selection Guidelines

| | ① | ② | ③ | ④ | ⑤ |
|------------------------------------|--------------------------------------|---|---|-----------------------------------|------------------------------------|
| Application | Solution or Heater Type | Alkaline or Acid Content (Est. % by Volume) | Sheath Material | Watt Density (W/In ²) | Screw Plug Material |
| Water & Very Mild Solutions | Clean Water | pH6 to pH8 Neutral | Copper | 45 | Brass |
| | Process Water or Very Weak Solutions | pH5 to pH9 2-3% | Stainless Steel ¹ | 45 | Stainless Steel |
| | Weak Solutions | 5-6% | INCOLOY® | 45 | Stainless Steel |
| | Demineralized, Deionized water | — | INCOLOY® Stainless Steel ¹ | 45 | Stainless Steel Stainless Steel |
| Corrosive & High Viscous Solutions | Mild Corrosive Solution | 5-15% | INCOLOY® or Stainless Steel ¹ | 23 | Stainless Steel |
| | Severe Corrosive Solution | 16% or more | INCOLOY®, Stainless Steel or Titanium | 15 | Stainless Steel |
| Oil Heating | Low Viscosity Oil | — | Steel | 23 | Steel |
| | Medium Viscosity Oil | — | Steel | 15 | Steel |
| | High Viscosity Oil | — | Steel | 6 | Steel |
| Specialty Heaters | Small Tanks | | Stainless Steel ¹ | | Brass |
| | Process Water | pH5 to pH9 | Stainless Steel ¹ | 45 | Stainless Steel |
| | Demineralized Water | — | Stainless Steel | 23 | Steel |
| | Low Viscosity Oil | — | INCOLOY® | 12 | Steel |
| | Pipe Insert Commercial Equipment | Clean Water | Copper | 60 | Brass |

1. Passivated stainless steel recommended for water applications.

Note — Liquid level controls are suggested for all immersion heating applications. See Controls section in this catalog.

Screw Plug Immersion Heaters

Application Element Guidelines

| Application | Screw Plug Size (In.) | Sheath Material | Screw Plug Material | Heater Model | Integral Thermostat | Page |
|---|-----------------------|-----------------|---------------------|--------------|---------------------|------|
| Clean Water | 1 | Copper | Brass | ARTM | Yes | B-7 |
| | 1 | Copper | Brass | MT | No | B-8 |
| | 1-1/4 | Copper | Brass | ARMT-1 | No | B-9 |
| | 1-1/4 | Copper | Brass | MT-1 | No | B-10 |
| | 2 | Copper | Brass | EMT-3 | No | B-15 |
| | 2 | Copper | Brass | ARMT-2 | Yes | B-11 |
| | 2 | Copper | Brass | MT-2 | No | B-13 |
| | 2 | INCOLOY® | Brass | CH-SD | No | B-16 |
| | 2-1/2 | Copper | Brass | ARMT-3 | Yes | B-17 |
| Process Water | 2-1/2 | Copper | Brass | MT-3 | No | B-21 |
| | 1 | SS | SS | ARTMS | Yes | B-23 |
| | 1 | SS | SS | MTS | No | B-24 |
| | 1-1/4 | SS | SS | ARMTS-1 | Yes | B-25 |
| | 1-1/4 | SS | SS | MTS-1 | No | B-26 |
| | 2 | SS | SS | ARMTS-2 | Yes | B-27 |
| | 2 | SS | SS | MTS-2 | No | B-29 |
| | 2 | SS | SS | AREMTS-3 | Yes | B-31 |
| | 2 | SS | SS | EMTS-3 | No | B-32 |
| Solution Water | 2-1/2 | SS | SS | ARMTS-3 | Yes | B-34 |
| | 2-1/2 | SS | SS | MTS-3 | No | B-36 |
| | 2 | INCOLOY® | SS | ARMTI-2 | Yes | B-38 |
| | 2 | INCOLOY® | SS | MTI-2 | No | B-40 |
| | 2 | INCOLOY® | SS | AREMTI-3 | Yes | B-41 |
| | 2 | INCOLOY® | SS | EMTI-3 | No | B-42 |
| Corrosive Solutions | 2-1/2 | INCOLOY® | SS | ARMTI-3 | Yes | B-43 |
| | 2-1/2 | INCOLOY® | SS | MTI-3 | No | B-45 |
| | 2 | SS | SS | AREMTS-3 | Yes | B-46 |
| | 2 | SS | SS | EMTS-3 | No | B-47 |
| | 2 | INCOLOY® | SS | AREMTI-3 | Yes | B-48 |
| Severely Corrosive Solutions | 2 | INCOLOY® | SS | EMTI-3 | No | B-49 |
| | 2 | SS | SS | AREMTS-3 | Yes | B-50 |
| | 2 | SS | SS | EMTS-3 | No | B-51 |
| | 2 | INCOLOY® | SS | AREMTI-3 | Yes | B-52 |
| Light Weight Oil | 2 | INCOLOY® | SS | EMTI-3 | No | B-53 |
| | 1 | Steel | Steel | ARMTO | Yes | B-54 |
| | 1 | Steel | Steel | MTO | No | B-55 |
| | 1 | Steel | Steel | ARTMO-1 | Yes | B-56 |
| | 1-1/4 | Steel | Steel | MTO-1 | No | B-57 |
| | 2 | Steel | Steel | ARMTO-2 | Yes | B-58 |
| | 2 | Steel | Steel | MTO-2 | No | B-60 |
| | 2 | Steel | Steel | AREMTO-3 | Yes | B-61 |
| | 2 | Steel | Steel | EMTO-3 | No | B-62 |
| | 2-1/2 | Steel | Steel | ARMTO-3 | Yes | B-63 |
| Medium Weight Oil | 2-1/2 | Steel | Steel | MTO-3 | No | B-65 |
| | 2 | Steel | Steel | ARMTO-2 | Yes | B-67 |
| | 2 | Steel | Steel | MTO-2 | No | B-68 |
| | 2 | Steel | Steel | AREMTO-3 | Yes | B-69 |
| | 2 | Steel | Steel | EMTO-3 | No | B-70 |
| | 2-1/2 | Steel | Steel | ARMTO-3 | Yes | B-71 |
| Heavy Weight Oil | 2-1/2 | Steel | Steel | MTO-3 | No | B-72 |
| | 2 | Steel | Steel | ARMTO-2 | Yes | B-73 |
| | 2 | Steel | Steel | MTO-2 | No | B-74 |
| | 2 | Steel | Steel | AREMTO-3 | Yes | B-73 |
| | 2 | Steel | Steel | EMTO-3 | No | B-74 |
| | 2-1/2 | Steel | Steel | ARMTO-3 | Yes | B-75 |
| | 2-1/2 | Steel | Steel | MTO-3 | No | B-75 |
| Specialty Heaters — Water, Oil & Corrosive Fluids | 1/2 | INCOLOY® | Steel | RI | No | B-79 |
| | 1/2 | SS | Steel | RIO | No | B-79 |
| | 1/2 | INCOLOY® | Brass | RIN | No | B-80 |
| | 1/2 | SS | Brass | RINO | No | B-80 |
| | 1/2 | SS | SS | RIS | No | B-79 |
| | 3/4 | INCOLOY® | Brass | RIN | No | B-80 |
| | 3/4 | SS | Brass | RINO | No | B-80 |
| | 1 | Copper | Brass | TMW-1 | No | B-76 |
| | 1 | Copper | Steel | TM-1 | No | B-78 |
| | 1 | SS | SS | TMWS-1 | No | B-76 |
| | 1 | Steel | Steel | TMO-1 | No | B-78 |
| | 1-1/4 | Copper | Brass | TMW-2 | No | B-77 |
| | 2 | INCOLOY® | Brass | DWH-MR | Yes | B-81 |
| | 2 | INCOLOY® | Steel | MTO-LT | No | B-82 |
| | 2-1/2 | INCOLOY® | Steel | VTS | Yes | B-83 |

Note — SS denotes 304 Stainless Steel.

Screw Plug Immersion Heaters

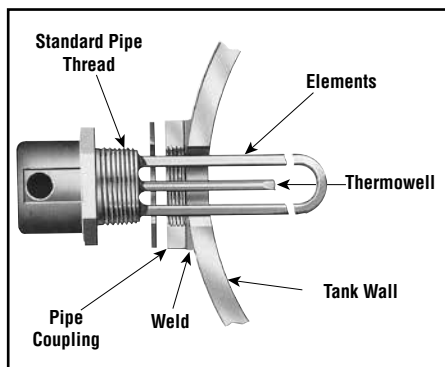
Technical & Application Data

Description

Chromalox heavy duty tubular elements are welded or brazed to a screw plug. Uniform heat distribution and repressed element bends, a Chromalox standard feature, lead to long element life. For all heaters, a thermowell (hollow tube sealed at one end) is welded or brazed to the screw plug allowing thermostat sensing element replacement without draining the tank. A variety of methods of terminating power leads is available for special application heaters.

General purpose screw plug heaters are equipped with a steel terminal enclosure painted with red polyester powder coat. These same heaters are also available with a combination moisture tight/explosion resistant terminal enclosure that may be used in applications where either or both conditions exist.

Screw plug type heaters are screwed directly through a threaded opening in the tank wall. Heavy tank walls may be drilled and tapped if thickness is sufficient to engage 3/4 of the threads. Lighter tank walls should be equipped with a suitable pipe half-coupling welded or brazed to the tank wall.



Construction Features — Stock & Assembly Stock Units

Element

- **Materials** — copper, steel, INCOLOY®, 304 stainless steel.
- **Number Elements in Screw Plug** — 1, 2 or 3 depending on screw plug size.
- **Element Diameter** — 0.315, 0.375, 0.430 and 0.475".
- **Watt Density** — 6.5, 15, 23, 45 and 75 W/In².

Screw Plug

- **Materials** — carbon steel, brass, 304 stainless steel.
- **Size** — 1/2, 3/4, 1, 1-1/4, 2, 2-1/2" NPT nominal.
- **Tolerances** — Tolerance on immersion length (B) dimension is $\pm 1\%$ ($\pm 3/8"$ min.).

Terminal Enclosures

Type E1 General purpose, sheet metal, painted with red polyester powder coat. The terminal enclosure rotates 360° to accommodate an electrical conduit run.

Type E4 Moisture resistant housing.

Type E2 Combination moisture resistant/explosion resistant.

Type E2 explosion resistant enclosures are for use in hazardous location conditions:

- Class I Groups B, C & D, Division 1 & 2*
- Class II, Groups E, F & G, Division 1 & 2
- Class III, Division 1 & 2

Safe operation of heaters equipped with explosion resistant enclosures depends on electrical wiring meeting the National Electrical Code for hazardous locations and on limiting the maximum operating temperatures (including temperatures on outside of vessel, piping, flanges, screw plugs, enclosures and other heat conducting parts) as dictated by flammable liquids, vapors or gases present. Approved pressure and/or temperature limiting controls must be used to assure safe operation in the event of a system malfunction.

The 'C' and 'US' indicators adjacent to the CSA mark signify that the product has been evaluated to the applicable CSA and ANSI/UL standards, for use in Canada and the U.S., respectively. This 'US' indicator includes products eligible to bear the 'NRTL' indicator. NRTL, i.e. National Recognized Testing Laboratory, is a designation granted by the U.S. Occupational Safety and Health Administration (OSHA) to laboratories which have been recognized to perform certification to U.S. standards.

Temperature Controls

Many screw plug type heaters are available with built-in thermostatic controls. In some installations where there is more than one heater in a tank, one heater with a built-in control can be used to control the other heaters by wiring the thermostat into the holding coil circuit of a magnetic contactor. If the thermostat is separate from the heater, the thermostat sensing element should be located in the liquid approximately 4 to 6 inches above the heater.

1 and 1-1/4" Screw Plugs — Type ARTM, ARTMO and ARTMS. The ARTM, ARTMO or ARTMS automatic thermostat has a temperature range of 60°F - 187°F (T4). Also available with alternate temperature 60°F - 240°F (T5) or 0°F - 127°F (T8). The tamper resistant temperature adjustment screw and scale are inside requiring the removal of the cover to change temperature setting.

2 and 2-1/2" Screw Plugs — Type ARMT, ARMTI, AREMTI, ARMTS, AREMTS, AREMTO and ARMTO. The integral thermostat is available with temperature ranges at 60°F - 250°F (T2) or 0°F - 100°F (T1) for ARMT, ARMTI, AREMTI, AREMTS and ARMTS heaters. ARMTO and AREMTO heaters are available with three different temperature ranges: 200°F - 550°F (T3), 60°F - 250°F (T2) and 0°F - 100°F (T1). This control is wired in as a line thermostat for loads up to 3 kW on 120 volts and up to 6 kW on 240 volts. For higher wattage ratings, three phase operation and above 240 volts, this control is used for pilot duty only and should be wired to operate the holding coil of a magnetic contactor.

To set the control temperature of heaters equipped with the standard general purpose enclosure (Type E1), adjust the knob on the outside of the terminal enclosure.

For those heaters equipped with a Type E2 and E4 enclosure, remove the terminal enclosure lid to expose the temperature adjusting knob. For safety reasons, power to heater and pilot duty power must be turned off before removing enclosure lid.

Note — The integral thermostat functions as a temperature control only. This is not a fail safe device, so an approved pressure and/or temperature limit control should be used with these heaters to assure safe operation.

CAUTION — Explosion Resistant Type E2 construction refers to heater design features which provide explosion resistant containment of electrical wiring according to National Electrical Code. Application or use of heaters which result in abnormal or excessive temperature can create hazardous conditions which can lead to a fire or explosive condition.

Corrosion Policy

Chromalox cannot warrant any electric immersion heater against failure by sheath corrosion if such failure is the result of operating conditions beyond the control of the heater manufacturer. It is the responsibility of the purchaser to make the ultimate choice of sheath material based on their knowledge of the chemical composition of the corrosive solution, character of materials entering the solution, and controls which he maintains on the process.

* For EMT and MT Class I Group B, Div. 1 & 2, consult factory.

Screw Plug Immersion Heaters

Optional Features

Moisture Resistant Terminal Enclosure Option

- Cast Aluminum Construction
- Red Polyester Powder Coat
- O-Ring Sealed Housing Cover
- Threaded 3/4" NPT Conduit Fitting

Description

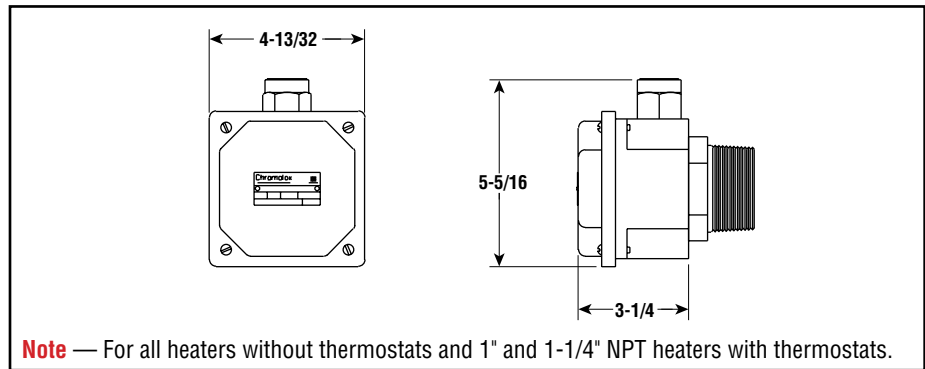
A moisture resistant only (not explosion resistant) terminal enclosure is available on all screw plug immersion heaters.

To Order

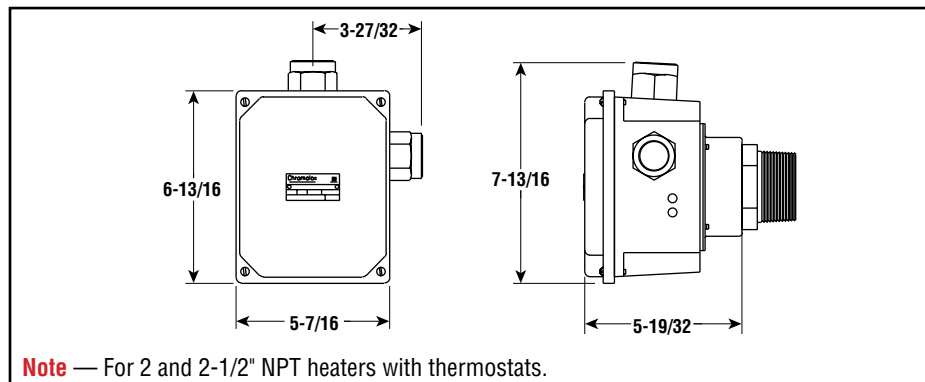
Add E4 to end of model number of the general purpose enclosure heater for moisture resistant construction only. Specify volts, phase and kilowatts. **Do not order by PCN.**



Small Screw Plug Enclosure — Dimensions (Inches)



Large Screw Plug Enclosure — Dimensions (Inches)

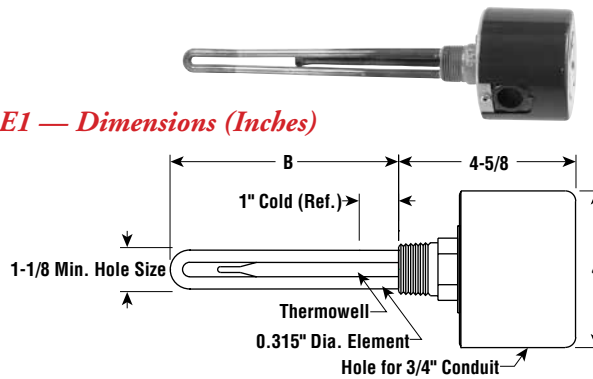


Immersion

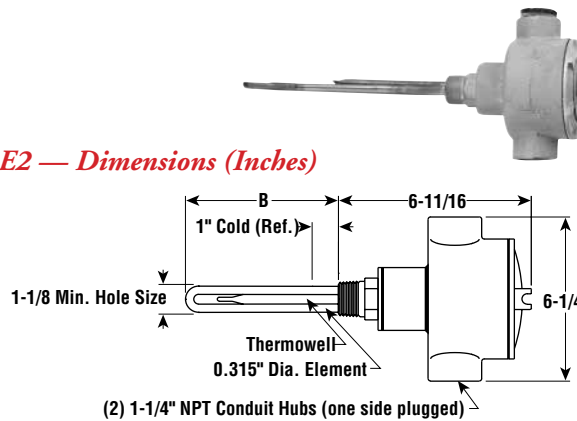
ARTM Clean Water Applications

- 1" NPT Brass Screw Plug
- Copper Sheath Element
- High Watt Density (64 - 86 W/in²)
- 0.75 - 3 kW
- Integral Thermostat (SPST)
- 120 and 240 Volt, Single Phase
- General Purpose or Moisture Resistant/Explosion Resistant Terminal Enclosure

E1 — Dimensions (Inches)



E2 — Dimensions (Inches)



SCREW PLUG

Specifications and Ordering Information

| | | | | | | | T4 — Temperature (60 - 187°F) | | | T5 — Temperature (60 - 240°F) | | | T8 — Temperature (0 - 127°F) | | |
|--|-------|-------|-------------------|-----------|-------------|------------|-------------------------------|-------|--------|-------------------------------|-------|--------|------------------------------|-------|--------|
| kW | Volts | Phase | W/in ² | No. Elem. | DIM B (In.) | Wt. (Lbs.) | Model | Stock | PCN | Model | Stock | PCN | Model | Stock | PCN |
| E1 General Purpose¹ | | | | | | | | | | | | | | | |
| 0.75 | 120 | 1 | 64 | 1 | 6-5/16 | 2 | ARTM-750T4 | S | 191257 | ARTM-750T5 | NS | 186087 | ARTM-750T8 | NS | 186095 |
| 0.75 | 240 | 1 | 64 | 1 | 6-5/16 | 2 | ARTM-750T4 | S | 191265 | ARTM-750T5 | NS | 186108 | ARTM-750T8 | NS | 186116 |
| 1 | 120 | 1 | 85 | 1 | 6-5/16 | 2 | ARTM-1000T4 | S | 191273 | ARTM-1000T5 | S | 186124 | ARTM-1000T8 | S | 186132 |
| 1 | 240 | 1 | 85 | 1 | 6-5/16 | 2 | ARTM-1000T4 | S | 191281 | ARTM-1000T5 | S | 186140 | ARTM-1000T8 | NS | 186159 |
| 1.25 | 120 | 1 | 83 | 1 | 8-1/16 | 3 | ARTM-1250T4 | S | 191290 | ARTM-1250T5 | NS | 186167 | ARTM-1250T8 | NS | 186175 |
| 1.25 | 240 | 1 | 83 | 1 | 8-1/16 | 3 | ARTM-1250T4 | S | 191302 | ARTM-1250T5 | NS | 186183 | ARTM-1250T8 | NS | 186191 |
| 1.5 | 120 | 1 | 86 | 1 | 9-1/4 | 3 | ARTM-1500T4 | S | 191310 | ARTM-1500T5 | S | 186204 | ARTM-1500T8 | NS | 186212 |
| 1.5 | 240 | 1 | 86 | 1 | 9-1/4 | 3 | ARTM-1500T4 | S | 191329 | ARTM-1500T5 | NS | 186220 | ARTM-1500T8 | NS | 186239 |
| 2 | 120 | 1 | 83 | 1 | 12-1/4 | 3 | ARTM-2000T4 | S | 191337 | ARTM-2000T5 | NS | 186247 | ARTM-2000T8 | NS | 186255 |
| 2 | 240 | 1 | 83 | 1 | 12-1/4 | 3 | ARTM-2000T4 | S | 191345 | ARTM-2000T5 | NS | 186263 | ARTM-2000T8 | NS | 186271 |
| 2.5 | 120 | 1 | 79 | 1 | 16-1/4 | 3 | ARTM-2500T4 | S | 191353 | ARTM-2500T5 | NS | 186280 | ARTM-2500T8 | NS | 186298 |
| 2.5 | 240 | 1 | 79 | 1 | 16-1/4 | 3 | ARTM-2500T4 | S | 191361 | ARTM-2500T5 | NS | 186300 | ARTM-2500T8 | NS | 186319 |
| 3 | 240 | 1 | 78 | 1 | 19-7/8 | 3 | ARTM-3000T4 | S | 191388 | ARTM-3000T5 | NS | 186327 | ARTM-3000T8 | NS | 186335 |
| E2 Moisture Resistant/Explosion Resistant² | | | | | | | | | | | | | | | |
| 0.75 | 120 | 1 | 64 | 1 | 6-5/16 | 5 | ARTM-750E2T4 | S | 182684 | ARTM-750E2T5 | NS | 319724 | ARTM-750E2T8 | NS | 319732 |
| 0.75 | 240 | 1 | 64 | 1 | 6-5/16 | 5 | ARTM-750E2T4 | NS | 182692 | ARTM-750E2T5 | NS | 319740 | ARTM-750E2T8 | NS | 319759 |
| 1 | 120 | 1 | 85 | 1 | 6-5/16 | 5 | ARTM-1000E2T4 | S | 182705 | ARTM-1000E2T5 | NS | 319767 | ARTM-1000E2T8 | NS | 319775 |
| 1 | 240 | 1 | 85 | 1 | 6-5/16 | 5 | ARTM-1000E2T4 | NS | 182713 | ARTM-1000E2T5 | NS | 319783 | ARTM-1000E2T8 | NS | 319791 |
| 1.25 | 120 | 1 | 83 | 1 | 8-1/16 | 6 | ARTM-1250E2T4 | NS | 182721 | ARTM-1250E2T5 | NS | 319804 | ARTM-1250E2T8 | NS | 319812 |
| 1.25 | 240 | 1 | 83 | 1 | 8-1/16 | 6 | ARTM-1250E2T4 | NS | 182730 | ARTM-1250E2T5 | NS | 319820 | ARTM-1250E2T8 | NS | 319839 |
| 1.5 | 120 | 1 | 86 | 1 | 9-1/4 | 6 | ARTM-1500E2T4 | S | 182748 | ARTM-1500E2T5 | NS | 319847 | ARTM-1500E2T8 | NS | 319855 |
| 1.5 | 240 | 1 | 86 | 1 | 9-1/4 | 6 | ARTM-1500E2T4 | NS | 182756 | ARTM-1500E2T5 | NS | 319863 | ARTM-1500E2T8 | NS | 319871 |
| 2 | 120 | 1 | 83 | 1 | 12-1/4 | 6 | ARTM-2000E2T4 | NS | 182764 | ARTM-2000E2T5 | NS | 319880 | ARTM-2000E2T8 | NS | 319898 |
| 2 | 240 | 1 | 83 | 1 | 12-1/4 | 6 | ARTM-2000E2T4 | NS | 182772 | ARTM-2000E2T5 | NS | 319900 | ARTM-2000E2T8 | NS | 319919 |
| 2.5 | 120 | 1 | 79 | 1 | 16-1/4 | 6 | ARTM-2500E2T4 | NS | 182780 | ARTM-2500E2T5 | NS | 319927 | ARTM-2500E2T8 | NS | 319935 |
| 2.5 | 240 | 1 | 79 | 1 | 16-1/4 | 6 | ARTM-2500E2T4 | NS | 182799 | ARTM-2500E2T5 | NS | 319943 | ARTM-2500E2T8 | NS | 319951 |
| 3 | 240 | 1 | 78 | 1 | 19-7/8 | 6 | ARTM-3000E2T4 | S | 182801 | ARTM-3000E2T5 | NS | 319960 | ARTM-3000E2T8 | NS | 319978 |

Stock Status: S = stock NS = non-stock
To Order—Specify model, volts, phase, kW, PCN and quantity.

1. Heaters with General Purpose Enclosures are UL Listed and CSA Certified.
2. Heaters with Moisture Resistant/Explosion Resistant Enclosures are cCSA_{US}® Certified.



Same-day shipping on stock item orders received before 4 pm CST. 3-day shipping on assembly-stock items.

"Under the U.S. Federal Safe Drinking Water Act, it is unlawful to install or use this product in any service that comes into contact with water for human consumption (including drinking, food or beverage preparation, hand washing, or teeth brushing). This product is intended exclusively for use in non-potable service."

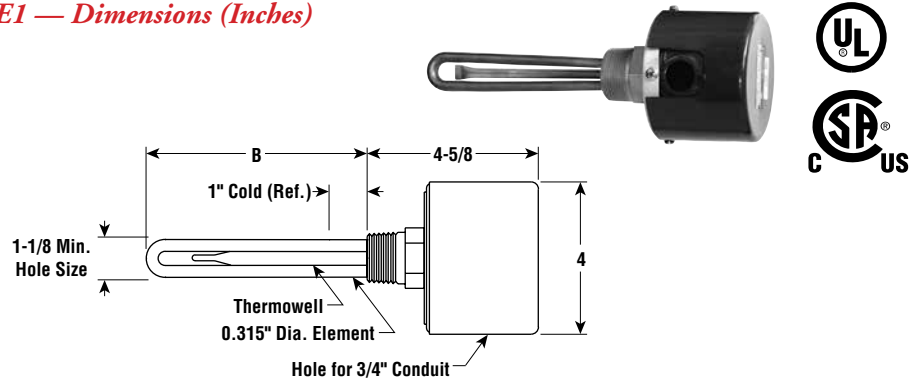
Immersion

MT

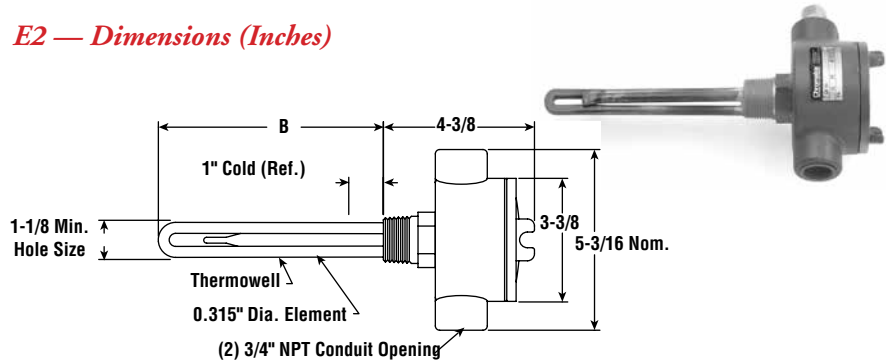
Clean Water Applications

- 1" NPT Brass Screw Plug
- Copper Sheath Element
- High Watt Density (64 - 86 W/in²)
- 0.75 - 3 kW
- Without Thermostat
- 120 and 240 Volt, Single Phase
- General Purpose, Moisture Resistant/Explosion Resistant Terminal Enclosure, or Moisture Resistant

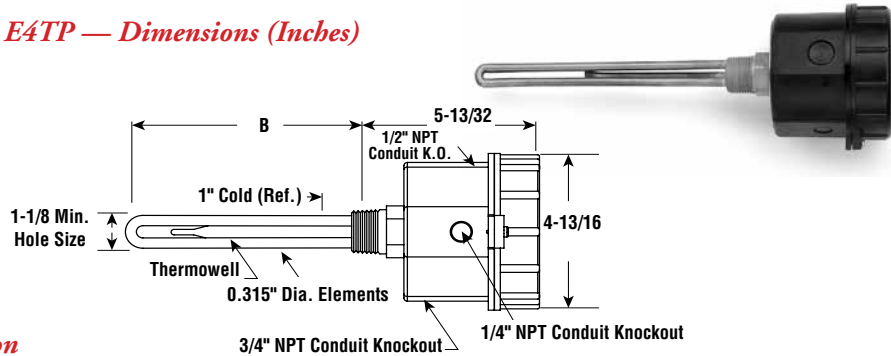
E1 — Dimensions (Inches)



E2 — Dimensions (Inches)



E4TP — Dimensions (Inches)



Specifications and Ordering Information

| | | | | | | E1 General Purpose ¹ | | | | E2 Moisture Resistant/ Explosion Resistant ² | | | | E4 Moisture Resistant | | | |
|------|-------|-------|-------------------|-----------|-------------|---------------------------------|-------|--------|------------|--|-------|--------|------------|-----------------------|-------|--------|------------|
| kW | Volts | Phase | W/in ² | No. Elem. | DIM B (In.) | Model | Stock | PCN | Wt. (Lbs.) | Model | Stock | PCN | Wt. (Lbs.) | Model | Stock | PCN | Wt. (Lbs.) |
| 0.75 | 120 | 1 | 64 | 1 | 6-5/16 | MT-750 | AS | 036281 | 2 | MT-750E2 | NS | 036425 | 5 | MT-750E4TP | NS | 060003 | 2 |
| 0.75 | 240 | 1 | 64 | 1 | 6-5/16 | MT-750 | AS | 036290 | 2 | MT-750E2 | NS | 036433 | 5 | MT-750E4TP | NS | 060011 | 2 |
| 1 | 120 | 1 | 85 | 1 | 6-5/16 | MT-1000 | AS | 036302 | 2 | MT-1000E2 | NS | 036441 | 5 | MT-1000E4TP | NS | 060020 | 2 |
| 1 | 240 | 1 | 85 | 1 | 6-5/16 | MT-1000 | AS | 036310 | 2 | MT-1000E2 | NS | 036450 | 5 | MT-1000E4TP | NS | 060038 | 2 |
| 1.25 | 120 | 1 | 83 | 1 | 8-1/16 | MT-1250 | AS | 036329 | 2 | MT-1250E2 | NS | 036468 | 5 | MT-1250E4TP | NS | 060046 | 2 |
| 1.25 | 240 | 1 | 83 | 1 | 8-1/16 | MT-1250 | AS | 036337 | 2 | MT-1250E2 | NS | 036476 | 5 | MT-1250E4TP | NS | 060054 | 2 |
| 1.5 | 120 | 1 | 86 | 1 | 9-1/4 | MT-1500 | AS | 036345 | 2 | MT-1500E2 | NS | 036484 | 5 | MT-1500E4TP | NS | 060062 | 2 |
| 1.5 | 240 | 1 | 86 | 1 | 9-1/4 | MT-1500 | AS | 036353 | 2 | MT-1500E2 | NS | 036492 | 5 | MT-1500E4TP | NS | 060070 | 2 |
| 2 | 120 | 1 | 83 | 1 | 12-1/4 | MT-2000 | AS | 036361 | 2 | MT-2000E2 | NS | 036505 | 5 | MT-2000E4TP | NS | 060089 | 2 |
| 2 | 240 | 1 | 83 | 1 | 12-1/4 | MT-2000 | AS | 036370 | 2 | MT-2000E2 | NS | 036513 | 5 | MT-2000E4TP | NS | 060097 | 2 |
| 2.5 | 120 | 1 | 79 | 1 | 16-1/4 | MT-2500 | AS | 036388 | 2 | MT-2500E2 | NS | 036521 | 5 | MT-2500E4TP | NS | 060100 | 2 |
| 2.5 | 240 | 1 | 79 | 1 | 16-1/4 | MT-2500 | AS | 036396 | 2 | MT-2500E2 | NS | 036530 | 5 | MT-2500E4TP | NS | 060118 | 2 |
| 3 | 120 | 1 | 78 | 1 | 19-7/8 | MT-3000 | AS | 036409 | 3 | MT-3000E2 | NS | 036548 | 6 | MT-3000E4TP | NS | 060126 | 3 |
| 3 | 240 | 1 | 78 | 1 | 19-7/8 | MT-3000 | AS | 036417 | 3 | MT-3000E2 | NS | 036556 | 6 | MT-3000E4TP | NS | 060134 | 3 |

Stock Status: S = stock NS = non-stock
To Order—Specify model, volts, phase, kW, PCN and quantity.

1. Heaters with General Purpose Enclosures are UL Listed and CSA Certified.
2. Heaters with Moisture Resistant/Explosion Resistant Enclosures are CSA_{US}® Certified.

FASTShip

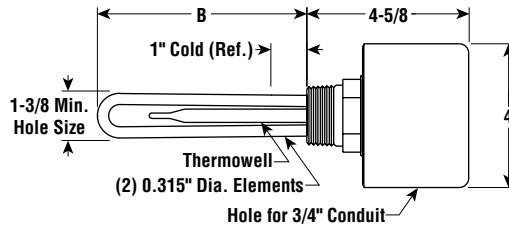
Same-day shipping on stock item orders received before 4 pm CST. 3-day shipping on assembly-stock items.

"Under the U.S. Federal Safe Drinking Water Act, it is unlawful to install or use this product in any service that comes into contact with water for human consumption (including drinking, food or beverage preparation, hand washing, or teeth brushing). This product is intended exclusively for use in non-potable service."

Immersion

ARMT-1 Clean Water Applications

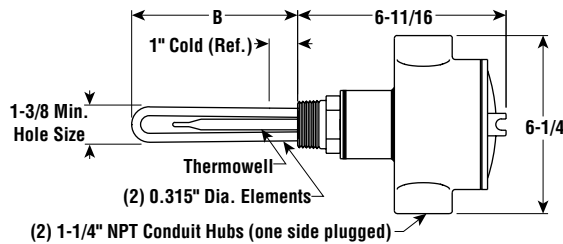
E1 — Dimensions (Inches)



- 1-1/4" NPT Brass Screw Plug
- Copper Sheath Elements
- High Watt Density (43 - 86 W/in²)
- 1 - 2 kW
- Integral Thermostat (SPST)
- 120 and 240 Volt, Single Phase
- General Purpose or Moisture Resistant/Explosion Resistant Terminal Enclosure

SCREW PLUG

E2 — Dimensions (Inches)



Specifications and Ordering Information

| | | | | | | | T4 — Temperature (60 - 187°F) | | | T5 — Temperature (60 - 240°F) | | | T8 — Temperature (0 - 127°F) | | |
|--|-------|-------|-------------------|-----------|--------------|------------|-------------------------------|-------|--------|-------------------------------|-------|--------|------------------------------|-------|--------|
| kW | Volts | Phase | W/in ² | No. Elem. | DIM. B (In.) | Wt. (Lbs.) | Model | Stock | PCN | Model | Stock | PCN | Model | Stock | PCN |
| E1 General Purpose¹ | | | | | | | | | | | | | | | |
| 1 | 120 | 1 | 43 | 2 | 6-1/8 | 5 | ARMT-110-3T4 | NS | 036564 | ARMT-110-3T5 | NS | 036644 | ARMT-110-3T8 | NS | 036724 |
| 1 | 240 | 1 | 43 | 2 | 6-1/8 | 5 | ARMT-110-3T4 | NS | 036572 | ARMT-110-3T5 | NS | 036652 | ARMT-110-3T8 | NS | 036732 |
| 1.2 | 120 | 1 | 53 | 2 | 6-1/8 | 5 | ARMT-112T4 | NS | 036580 | ARMT-112T5 | NS | 036660 | ARMT-112T8 | NS | 036740 |
| 1.2 | 240 | 1 | 53 | 2 | 6-1/8 | 5 | ARMT-112T4 | NS | 036599 | ARMT-112T5 | NS | 036679 | ARMT-112T8 | NS | 036759 |
| 1.5 | 120 | 1 | 65 | 2 | 6-1/8 | 5 | ARMT-115T4 | NS | 036601 | ARMT-115T5 | NS | 036687 | ARMT-115T8 | NS | 036767 |
| 1.5 | 240 | 1 | 65 | 2 | 6-1/8 | 5 | ARMT-115T4 | NS | 036610 | ARMT-115T5 | NS | 036695 | ARMT-115T8 | NS | 036775 |
| 2 | 120 | 1 | 86 | 2 | 6-1/8 | 5 | ARMT-120T4 | NS | 036628 | ARMT-120T5 | NS | 036708 | ARMT-120T8 | NS | 036783 |
| 2 | 240 | 1 | 86 | 2 | 6-1/8 | 5 | ARMT-120T4 | NS | 036636 | ARMT-120T5 | NS | 036716 | ARMT-120T8 | NS | 036791 |
| E2 Moisture Resistant/Explosion Resistant² | | | | | | | | | | | | | | | |
| 1 | 120 | 1 | 43 | 2 | 6-1/8 | 8 | ARMT-110-3E2T4 | NS | 036804 | ARMT-110-3E2T5 | NS | 036880 | ARMT-110-3E2T8 | NS | 036960 |
| 1 | 240 | 1 | 43 | 2 | 6-1/8 | 8 | ARMT-110-3E2T4 | NS | 036812 | ARMT-110-3E2T5 | NS | 036898 | ARMT-110-3E2T8 | NS | 036978 |
| 1.2 | 120 | 1 | 53 | 2 | 6-1/8 | 8 | ARMT-112E2T4 | NS | 036820 | ARMT-112E2T5 | NS | 036900 | ARMT-112E2T8 | NS | 036986 |
| 1.2 | 240 | 1 | 53 | 2 | 6-1/8 | 8 | ARMT-112E2T4 | NS | 036839 | ARMT-112E2T5 | NS | 036919 | ARMT-112E2T8 | NS | 036994 |
| 1.5 | 120 | 1 | 65 | 2 | 6-1/8 | 8 | ARMT-115E2T4 | NS | 036847 | ARMT-115E2T5 | NS | 036927 | ARMT-115E2T8 | NS | 037006 |
| 1.5 | 240 | 1 | 65 | 2 | 6-1/8 | 8 | ARMT-115E2T4 | NS | 036855 | ARMT-115E2T5 | NS | 036935 | ARMT-115E2T8 | NS | 037014 |
| 2 | 120 | 1 | 86 | 2 | 6-1/8 | 8 | ARMT-120E2T4 | NS | 036863 | ARMT-120E2T5 | NS | 036943 | ARMT-120E2T8 | NS | 037022 |
| 2 | 240 | 1 | 86 | 2 | 6-1/8 | 8 | ARMT-120E2T4 | NS | 036871 | ARMT-120E2T5 | NS | 036951 | ARMT-120E2T8 | NS | 037030 |

Stock Status: S = stock NS = non-stock
To Order—Specify model, volts, phase, kW, PCN and quantity.



1. Heaters with General Purpose Enclosures are UL Listed and CSA Certified.
2. Heaters with Moisture Resistant/Explosion Resistant Enclosures are ^CCSA_{US}® Certified.

Same-day shipping on stock item orders received before 4 pm CST.
 3-day shipping on assembly-stock items.

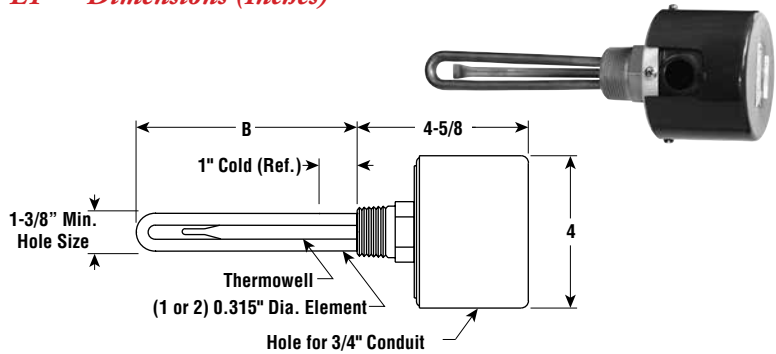
"Under the U.S. Federal Safe Drinking Water Act, it is unlawful to install or use this product in any service that comes into contact with water for human consumption (including drinking, food or beverage preparation, hand washing, or teeth brushing). This product is intended exclusively for use in non-potable service."

Immersion

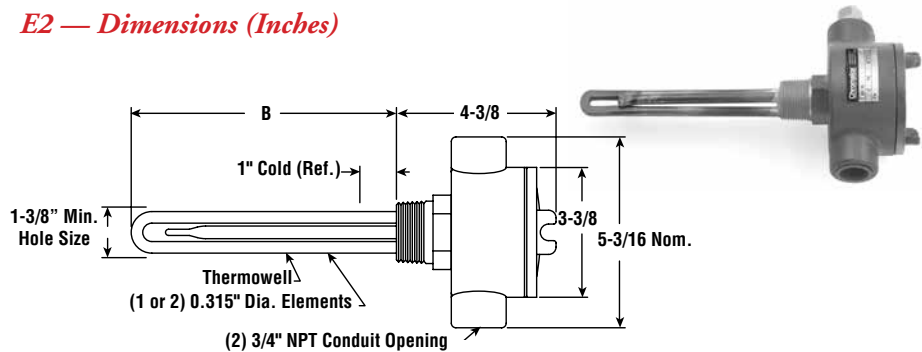
MT-1 Clean Water Applications

- 1-1/4" NPT Brass Screw Plug
- Copper Sheath Elements
- High Watt Density (53 - 86 W/in²)
- 0.6 - 2 kW
- Without Thermostat
- 120 and 240 Volt, Single Phase
- General Purpose, Moisture Resistant/Explosion Resistant Terminal Enclosure, or Moisture Resistant

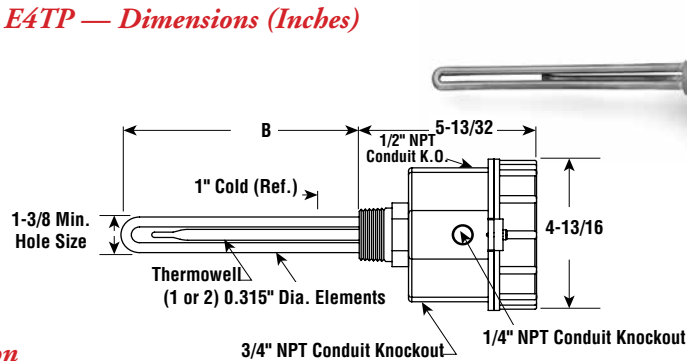
E1 — Dimensions (Inches)



E2 — Dimensions (Inches)



E4TP — Dimensions (Inches)



Specifications and Ordering Information

| | | | | | | E1 General Purpose ¹ | | | | E2 Moisture Resistant/ Explosion Resistant ² | | | | E4 Moisture Resistant | | | |
|------|-------|-------|-------------------|-----------|-------------|---------------------------------|-------|--------|------------|--|-------|--------|------------|-----------------------|-------|--------|------------|
| kW | Volts | Phase | W/in ² | No. Elem. | DIM B (In.) | Model | Stock | PCN | Wt. (Lbs.) | Model | Stock | PCN | Wt. (Lbs.) | Model | Stock | PCN | Wt. (Lbs.) |
| 0.6 | 120 | 1 | 53 | 1 | 6 | MT-160A | S | 139310 | 1 | MT-160E2 | NS | 288104 | 4 | MT-160E4TP | NS | 060476 | 1 |
| 0.6 | 240 | 1 | 53 | 1 | 6 | MT-160A | NS | 139328 | 1 | MT-160E2 | NS | 288112 | 4 | MT-160E4TP | NS | 060484 | 1 |
| 0.75 | 120 | 1 | 65 | 1 | 6 | MT-175A | S | 139336 | 1 | MT-175E2 | NS | 288120 | 4 | MT-175E4TP | NS | 060492 | 1 |
| 0.75 | 240 | 1 | 65 | 1 | 6 | MT-175A | S | 139344 | 1 | MT-175E2 | NS | 288139 | 4 | MT-175E4TP | NS | 060505 | 1 |
| 1 | 120 | 1 | 86 | 1 | 6 | MT-110A | S | 139352 | 1 | MT-110E2 | S | 288147 | 4 | MT-110E4TP | NS | 060396 | 1 |
| 1 | 240 | 1 | 86 | 1 | 6 | MT-110A | S | 139360 | 1 | MT-110E2 | NS | 288155 | 4 | MT-110E4TP | NS | 060409 | 1 |
| 1 | 120 | 1 | 43 | 2 | 6 | MT-110-3A | NS | 139379 | 2 | MT-110-3E2 | NS | 288163 | 5 | MT-110-3E4TP | NS | 060370 | 2 |
| 1 | 240 | 1 | 43 | 2 | 6 | MT-110-3A | S | 139387 | 2 | MT-110-3E2 | NS | 288171 | 5 | MT-110-3E4TP | NS | 060388 | 2 |
| 1.2 | 120 | 1 | 53 | 2 | 6 | MT-112A | NS | 139395 | 2 | MT-112E2 | NS | 288180 | 5 | MT-112E4TP | NS | 060417 | 2 |
| 1.2 | 240 | 1 | 53 | 2 | 6 | MT-112A | NS | 139408 | 2 | MT-112E2 | NS | 288198 | 5 | MT-112E4TP | NS | 060425 | 2 |
| 1.5 | 120 | 1 | 65 | 2 | 6 | MT-115A | S | 139416 | 2 | MT-115E2 | NS | 288200 | 5 | MT-115E4TP | NS | 060433 | 2 |
| 1.5 | 240 | 1 | 65 | 2 | 6 | MT-115A | S | 139424 | 2 | MT-115E2 | NS | 288219 | 5 | MT-115E4TP | NS | 060441 | 2 |
| 2 | 120 | 1 | 86 | 2 | 6 | MT-120A | S | 139432 | 2 | MT-120E2 | NS | 288227 | 5 | MT-120E4TP | NS | 060450 | 2 |
| 2 | 240 | 1 | 86 | 2 | 6 | MT-120A | S | 139440 | 2 | MT-120E2 | NS | 288235 | 5 | MT-120E4TP | NS | 060468 | 2 |

Stock Status: S = stock NS = non-stock
To Order—Specify model, volts, phase, kW, PCN and quantity.

1. Heaters with General Purpose Enclosures are UL Listed and CSA Certified.
2. Heaters with Moisture Resistant/Explosion Resistant Enclosures are _CCSA_{US}® Certified.

Other Note — 4 - 6 kW and above available. Contact your Local Chromalox Sales office.

FASTSHIP

Same-day shipping on stock item orders received before 4 pm CST. 3-day shipping on assembly-stock items.

"Under the U.S. Federal Safe Drinking Water Act, it is unlawful to install or use this product in any service that comes into contact with water for human consumption (including drinking, food or beverage preparation, hand washing, or teeth brushing). This product is intended exclusively for use in non-potable service."

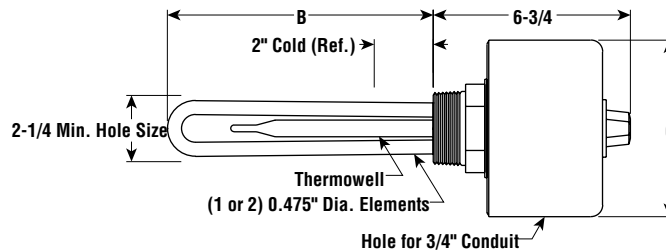
Immersion

ARMT-2 Clean Water Applications



- 2" NPT Brass Screw Plug
- Copper Sheath Elements
- High Watt Density (46 - 53 W/in²)
- 1.5 - 15 kW
- Integral Thermostat (DPST)
- 120, 208, 240 and 480 Volt, Single Phase
- General Purpose Terminal Enclosure

E1 — Dimensions (Inches)



SCREW PLUG



Same-day shipping on stock item orders received before 4 pm CST.
3-day shipping on assembly-stock items.

Specifications and Ordering Information

| | | | | | | | T2 — Temperature (60 - 250°F) | | | T1 — Temperature (0 - 100°F) | | |
|---------------------------|-------|-------|-------------------|-----------|-------------|------------|-------------------------------|----------|---------------|------------------------------|-------|--------|
| kW | Volts | Phase | W/in ² | No. Elem. | DIM B (In.) | Wt. (Lbs.) | Model | Stock | PCN | Model | Stock | PCN |
| E1 General Purpose | | | | | | | | | | | | |
| 1.5 | 120 | 1 | 48 | 1 | 12 | 5 | ARMT-2155T2 | NS | 270035 | ARMT-2155T1 | NS | 284760 |
| 1.5 | 208 | 1 | 48 | 1 | 12 | 5 | ARMT-2155T2 | NS | 323264 | ARMT-2155T1 | NS | 323272 |
| 1.5 | 240 | 1 | 48 | 1 | 12 | 5 | ARMT-2155T2 | S | 270043 | ARMT-2155T1 | NS | 284795 |
| 2 | 120 | 1 | 51 | 2 | 8 | 5 | ARMT-2205-3T2 | NS | 270060 | ARMT-2205-3T1 | NS | 284824 |
| 2 | 208 | 1 | 51 | 2 | 8 | 5 | ARMT-2205-3T2 | NS | 323301 | ARMT-2205-3T1 | NS | 323310 |
| 2 | 240 | 1 | 51 | 2 | 8 | 5 | ARMT-2205-3T2 | NS | 270078 | ARMT-2205-3T1 | NS | 284840 |
| 2 | 480 | 1 | 51 | 2 | 8 | 5 | ARMT-2205-3T2 | NS | 284883 | ARMT-2205-3T1 | NS | 284875 |
| 2.5 | 208 | 1 | 48 | 2 | 9-1/2 | 6 | ARMT-2255T2 | NS | 323344 | ARMT-2255T1 | NS | 323352 |
| 2.5 | 240 | 1 | 48 | 2 | 9-1/2 | 6 | ARMT-2255T2 | NS | 270107 | ARMT-2255T1 | NS | 284912 |
| 2.5 | 480 | 1 | 48 | 2 | 9-1/2 | 6 | ARMT-2255T2 | NS | 284955 | ARMT-2255T1 | NS | 284947 |
| 3 | 120 | 1 | 48 | 2 | 12 | 6 | ARMT-2305T2 | NS | 270123 | ARMT-2305T1 | NS | 284980 |
| 3 | 208 | 1 | 48 | 2 | 12 | 6 | ARMT-2305T2 | NS | 323387 | ARMT-2305T1 | NS | 323395 |
| 3 | 240 | 1 | 48 | 2 | 12 | 6 | ARMT-2305T2 | S | 270131 | ARMT-2305T1 | NS | 285000 |
| 3 | 480 | 1 | 48 | 2 | 12 | 6 | ARMT-2305T2 | NS | 285034 | ARMT-2305T1 | NS | 285026 |
| 4 | 208 | 1 | 48 | 2 | 18 | 7 | ARMT-2405T2 | NS | 323424 | ARMT-2405T1 | NS | 323432 |
| 4 | 240 | 1 | 48 | 2 | 18 | 7 | ARMT-2405T2 | S | 270166 | ARMT-2405T1 | NS | 285050 |
| 4 | 480 | 1 | 48 | 2 | 18 | 7 | ARMT-2405T2 | NS | 285093 | ARMT-2405T1 | NS | 285085 |
| 5 | 208 | 1 | 53 | 2 | 19-13/16 | 8 | ARMT-2505T2 | NS | 323467 | ARMT-2505T1 | NS | 323475 |
| 5 | 240 | 1 | 53 | 2 | 19-13/16 | 8 | ARMT-2505T2 | S | 270190 | ARMT-2505T1 | NS | 285122 |
| 5 | 480 | 1 | 53 | 2 | 19-13/16 | 8 | ARMT-2505T2 | S | 274757 | ARMT-2505T1 | NS | 285157 |
| 6 | 208 | 1 | 47 | 2 | 25-1/8 | 8 | ARMT-2605T2 | NS | 323504 | ARMT-2605T1 | NS | 323512 |
| 6 | 240 | 1 | 47 | 2 | 25-1/8 | 8 | ARMT-2605T2 | NS | 270211 | ARMT-2605T1 | NS | 285181 |
| 6 | 480 | 1 | 47 | 2 | 25-1/8 | 8 | ARMT-2605T2 | NS | 285229 | ARMT-2605T1 | NS | 285210 |
| 7 | 208 | 1 | 49 | 2 | 28 | 9 | ARMT-2705T2 | NS | 323547 | ARMT-2705T1 | NS | 323555 |
| 7 | 240 | 1 | 49 | 2 | 28 | 9 | ARMT-2705T2 | NS | 270238 | ARMT-2705T1 | NS | 285253 |
| 7 | 480 | 1 | 49 | 2 | 28 | 9 | ARMT-2705T2 | NS | 285296 | ARMT-2705T1 | NS | 285288 |
| 10 | 208 | 1 | 46 | 2 | 40-1/2 | 9 | ARMT-2105T2 | NS | 323580 | ARMT-2105T1 | NS | 323598 |
| 10 | 240 | 1 | 46 | 2 | 40-1/2 | 9 | ARMT-2105T2 | NS | 270019 | ARMT-2105T1 | NS | 284701 |
| 10 | 480 | 1 | 46 | 2 | 40-1/2 | 9 | ARMT-2105T2 | NS | 274765 | ARMT-2105T1 | NS | 284736 |
| 12 | 240 | 1 | 46 | 2 | 48 | 10 | ARMT-2125T2 ¹ | NS | 310480 | ARMT-2125T1 ¹ | NS | 310527 |
| 12 | 480 | 1 | 46 | 2 | 48 | 10 | ARMT-2125T2 | NS | 310498 | ARMT-2125T1 | NS | 310535 |
| 15 | 240 | 1 | 50 | 2 | 54 | 11 | ARMT-21505T2 ¹ | NS | 310560 | ARMT-21505T1 ¹ | NS | 310607 |
| 15 | 480 | 1 | 50 | 2 | 54 | 11 | ARMT-21505T2 | NS | 310578 | ARMT-21505T1 | NS | 310615 |

Stock Status: S = stock NS = non-stock
To Order—Specify model, volts, phase, kW, PCN and quantity.
 1. Not UL Listed or CSA Certified (Exceeds 48 Amps).

"Under the U.S. Federal Safe Drinking Water Act, it is unlawful to install or use this product in any service that comes into contact with water for human consumption (including drinking, food or beverage preparation, hand washing, or teeth brushing). This product is intended exclusively for use in non-potable service."

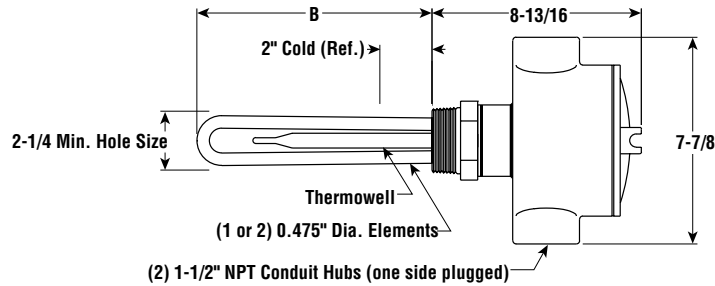


ARMT-2 Clean Water Applications *(cont'd.)*



- 2" NPT Brass Screw Plug
- Copper Sheath Elements
- High Watt Density (46 - 53 W/in²)
- 1.5 - 15 kW
- Integral Thermostat (DPST)
- 120, 208, 240 and 480 Volt, Single Phase
- Moisture Resistant/Explosion Resistant Terminal Enclosure

E2 — Dimensions (Inches)



FASTShip

Same-day shipping on stock item orders received before 4 pm CST.
3-day shipping on assembly-stock items.

Specifications and Ordering Information

| | | | | | | | T2 — Temperature (60 - 250°F) | | | T1 — Temperature (0 - 100°F) | | |
|--|-------|-------|-------------------|-----------|-------------|------------|-------------------------------|-------|--------|------------------------------|-------|--------|
| kW | Volts | Phase | W/In ² | No. Elem. | DIM B (In.) | Wt. (Lbs.) | Model | Stock | PCN | Model | Stock | PCN |
| E2 Moisture Resistant/Explosion Resistant | | | | | | | | | | | | |
| 1.5 | 120 | 1 | 48 | 1 | 12 | 10 | ARMT-2155E2T2 | NS | 284787 | ARMT-2155E2T1 | NS | 284779 |
| 1.5 | 208 | 1 | 48 | 1 | 12 | 10 | ARMT-2155E2T2 | NS | 323280 | ARMT-2155E2T1 | NS | 323299 |
| 1.5 | 240 | 1 | 48 | 1 | 12 | 10 | ARMT-2155E2T2 | NS | 284816 | ARMT-2155E2T1 | NS | 284808 |
| 2 | 120 | 1 | 51 | 2 | 8 | 10 | ARMT-2205-3E2T2 | NS | 284832 | ARMT-2205-3E2T1 | NS | 274773 |
| 2 | 208 | 1 | 51 | 2 | 8 | 10 | ARMT-2205-3E2T2 | NS | 323328 | ARMT-2205-3E2T1 | NS | 323336 |
| 2 | 240 | 1 | 51 | 2 | 8 | 10 | ARMT-2205-3E2T2 | NS | 284867 | ARMT-2205-3E2T1 | NS | 284859 |
| 2 | 480 | 1 | 51 | 2 | 8 | 10 | ARMT-2205-3E2T2 | NS | 284904 | ARMT-2205-3E2T1 | NS | 284891 |
| 2.5 | 208 | 1 | 48 | 2 | 9-1/2 | 12 | ARMT-2255E2T2 | NS | 323360 | ARMT-2255E2T1 | NS | 323379 |
| 2.5 | 240 | 1 | 48 | 2 | 9-1/2 | 12 | ARMT-2255E2T2 | NS | 284939 | ARMT-2255E2T1 | NS | 284920 |
| 2.5 | 480 | 1 | 48 | 2 | 9-1/2 | 12 | ARMT-2255E2T2 | NS | 284971 | ARMT-2255E2T1 | NS | 284963 |
| 3 | 120 | 1 | 48 | 2 | 12 | 12 | ARMT-2305E2T2 | NS | 285018 | ARMT-2305E2T1 | NS | 284998 |
| 3 | 208 | 1 | 48 | 2 | 12 | 12 | ARMT-2305E2T2 | NS | 323408 | ARMT-2305E2T1 | NS | 323416 |
| 3 | 240 | 1 | 48 | 2 | 12 | 12 | ARMT-2305E2T2 | NS | 274781 | ARMT-2305E2T1 | NS | 274802 |
| 3 | 480 | 1 | 48 | 2 | 12 | 12 | ARMT-2305E2T2 | NS | 274790 | ARMT-2305E2T1 | NS | 285042 |
| 4 | 208 | 1 | 48 | 2 | 18 | 13 | ARMT-2405E2T2 | NS | 323440 | ARMT-2405E2T1 | NS | 323459 |
| 4 | 240 | 1 | 48 | 2 | 18 | 13 | ARMT-2405E2T2 | NS | 285077 | ARMT-2405E2T1 | NS | 285069 |
| 4 | 480 | 1 | 48 | 2 | 18 | 13 | ARMT-2405E2T2 | NS | 285114 | ARMT-2405E2T1 | NS | 285106 |
| 5 | 208 | 1 | 53 | 2 | 19-13/16 | 14 | ARMT-2505E2T2 | NS | 323483 | ARMT-2505E2T1 | NS | 323491 |
| 5 | 240 | 1 | 53 | 2 | 19-13/16 | 14 | ARMT-2505E2T2 | NS | 285149 | ARMT-2505E2T1 | NS | 285130 |
| 5 | 480 | 1 | 53 | 2 | 19-13/16 | 14 | ARMT-2505E2T2 | NS | 285173 | ARMT-2505E2T1 | NS | 285165 |
| 6 | 208 | 1 | 47 | 2 | 25-1/8 | 14 | ARMT-2605E2T2 | NS | 323520 | ARMT-2605E2T1 | NS | 323539 |
| 6 | 240 | 1 | 47 | 2 | 25-1/8 | 14 | ARMT-2605E2T2 | NS | 285202 | ARMT-2605E2T1 | NS | 285190 |
| 6 | 480 | 1 | 47 | 2 | 25-1/8 | 14 | ARMT-2605E2T2 | NS | 285245 | ARMT-2605E2T1 | NS | 285237 |
| 7 | 208 | 1 | 49 | 2 | 28 | 15 | ARMT-2705E2T2 | NS | 323563 | ARMT-2705E2T1 | NS | 323571 |
| 7 | 240 | 1 | 49 | 2 | 28 | 15 | ARMT-2705E2T2 | NS | 285270 | ARMT-2705E2T1 | NS | 285261 |
| 7 | 480 | 1 | 49 | 2 | 28 | 15 | ARMT-2705E2T2 | NS | 285309 | ARMT-2705E2T1 | NS | 285317 |
| 10 | 208 | 1 | 46 | 2 | 40-1/2 | 16 | ARMT-2105E2T2 | NS | 323600 | ARMT-2105E2T1 | NS | 323619 |
| 10 | 240 | 1 | 46 | 2 | 40-1/2 | 16 | ARMT-2105E2T2 | NS | 284728 | ARMT-2105E2T1 | NS | 284710 |
| 10 | 480 | 1 | 46 | 2 | 40-1/2 | 16 | ARMT-2105E2T2 | NS | 284752 | ARMT-2105E2T1 | NS | 284744 |
| 12 | 240 | 1 | 46 | 2 | 48 | 17 | ARMT-2125E2T2 ¹ | NS | 310500 | ARMT-2125E2T1 ¹ | NS | 310543 |
| 12 | 480 | 1 | 46 | 2 | 48 | 17 | ARMT-2125E2T2 | NS | 310519 | ARMT-2125E2T1 | NS | 310551 |
| 15 | 240 | 1 | 50 | 2 | 54 | 18 | ARMT-21505E2T2 ¹ | NS | 310586 | ARMT-21505E2T1 ¹ | NS | 310623 |
| 15 | 480 | 1 | 50 | 2 | 54 | 18 | ARMT-21505E2T2 | NS | 310594 | ARMT-21505E2T1 | NS | 310631 |

Stock Status: S = stock NS = non-stock
To Order—Specify model, volts, phase, kW, PCN and quantity.

1. Not _CCSA_{US}® Certified (Exceeds 48 Amps).

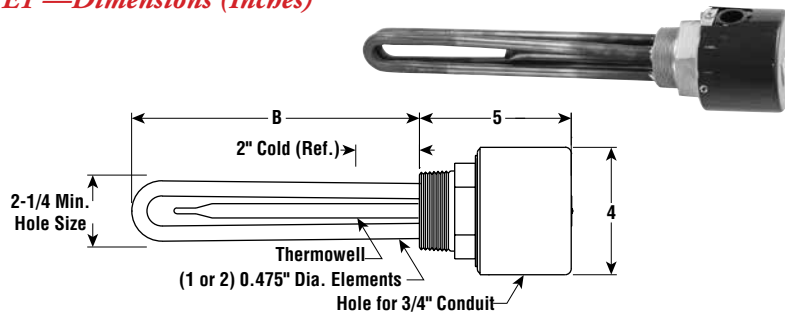
"Under the U.S. Federal Safe Drinking Water Act, it is unlawful to install or use this product in any service that comes into contact with water for human consumption (including drinking, food or beverage preparation, hand washing, or teeth brushing). This product is intended exclusively for use in non-potable service."

Immersion

MT-2 Clean Water Applications

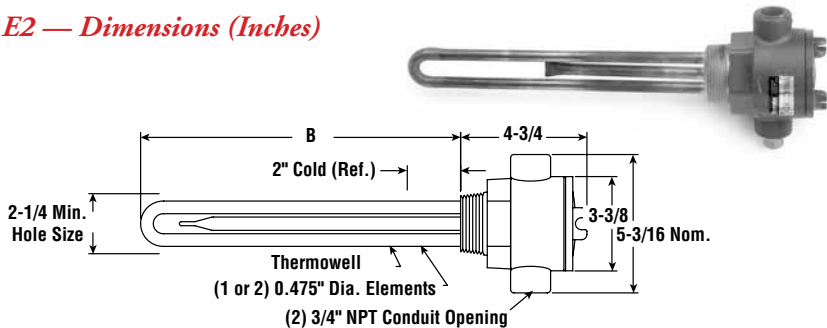
- 2" NPT Brass Screw Plug
- Copper Sheath Elements
- High Watt Density (46 - 53 W/In²)
- 1.5 - 15 kW
- Without Thermostat
- 120, 208, 240 and 480 Volt, Single Phase
- General Purpose, Moisture Resistant/Explosion Resistant Terminal Enclosure or Moisture Resistant

E1 — Dimensions (Inches)

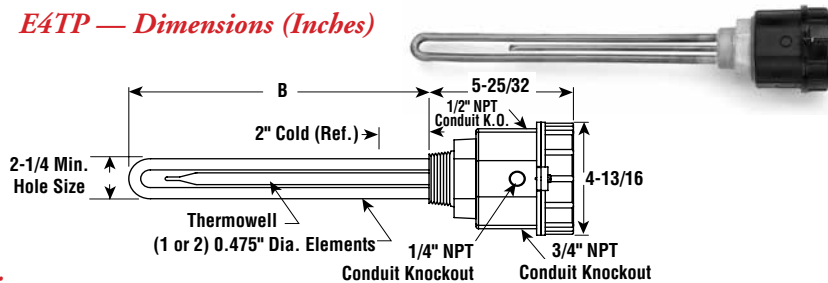


SCREW PLUG

E2 — Dimensions (Inches)



E4TP — Dimensions (Inches)



Same-day shipping on stock item orders received before 4 pm CST.
3-day shipping on assembly-stock items.

Specifications and Ordering Information

| | | | | | | E1 General Purpose ¹ | | | | E2 Moisture Resistant/ Explosion Resistant ² | | | | E4 Moisture Resistant | | | |
|-----|-------|-------|-------------------|-----------|-------------|---------------------------------|-------|--------|------------|--|-------|--------|------------|-----------------------|-------|--------|------------|
| kW | Volts | Phase | W/In ² | No. Elem. | DIM B (In.) | Model | Stock | PCN | Wt. (Lbs.) | Model | Stock | PCN | Wt. (Lbs.) | Model | Stock | PCN | Wt. (Lbs.) |
| 1.5 | 120 | 1 | 48 | 1 | 12 | MT-215A | S | 139459 | 3 | MT-215E2 | NS | 288243 | 6 | MT-215E4TP | NS | 062164 | 3 |
| 1.5 | 240 | 1 | 48 | 1 | 12 | MT-215A | NS | 139467 | 3 | MT-215E2 | NS | 288251 | 6 | MT-215E4TP | NS | 062172 | 3 |
| 1.5 | 480 | 1 | 48 | 1 | 12 | MT-215A | S | 139475 | 3 | MT-215E2 | NS | 295005 | 6 | MT-215E4TP | NS | 062180 | 3 |
| 1.5 | 208 | 1 | 48 | 1 | 12 | MT-215A | NS | 295275 | 3 | MT-215E2 | NS | 295283 | 6 | MT-215E4TP | NS | 062199 | 3 |
| 2 | 120 | 1 | 48 | 1 | 18 | MT-220A | S | 139483 | 3 | MT-220E2 | NS | 295013 | 6 | MT-220E4TP | NS | 062244 | 3 |
| 2 | 240 | 1 | 48 | 1 | 18 | MT-220A | S | 139491 | 3 | MT-220E2 | NS | 295048 | 6 | MT-220E4TP | NS | 062252 | 3 |
| 2 | 480 | 1 | 48 | 1 | 18 | MT-220A | S | 139504 | 3 | MT-220E2 | NS | 295056 | 6 | MT-220E4TP | NS | 062260 | 3 |
| 2 | 208 | 1 | 48 | 1 | 18 | MT-220A | NS | 295021 | 3 | MT-220E2 | NS | 295030 | 6 | MT-220E4TP | NS | 062279 | 3 |
| 2 | 120 | 1 | 51 | 2 | 8 | MT-220-3A | NS | 139512 | 3 | MT-220-3E2 | NS | 288260 | 6 | MT-220-3E4TP | NS | 062201 | 3 |
| 2 | 240 | 1 | 51 | 2 | 8 | MT-220-3A | NS | 139520 | 3 | MT-220-3E2 | NS | 288278 | 6 | MT-220-3E4TP | NS | 062210 | 3 |
| 2 | 480 | 1 | 51 | 2 | 8 | MT-220-3A | NS | 139539 | 3 | MT-220-3E2 | NS | 288286 | 6 | MT-220-3E4TP | NS | 062228 | 3 |
| 2 | 208 | 1 | 51 | 2 | 8 | MT-220-3A | NS | 295064 | 3 | MT-220-3E2 | NS | 295072 | 6 | MT-220-3E4TP | NS | 062236 | 3 |
| 2.5 | 120 | 1 | 48 | 2 | 9-1/2 | MT-225A | NS | 139547 | 3 | MT-225E2 | NS | 295080 | 6 | MT-225E4TP | NS | 062287 | 3 |
| 2.5 | 240 | 1 | 48 | 2 | 9-1/2 | MT-225A | S | 139555 | 3 | MT-225E2 | NS | 288294 | 6 | MT-225E4TP | NS | 062295 | 3 |
| 2.5 | 480 | 1 | 48 | 2 | 9-1/2 | MT-225A | NS | 139563 | 3 | MT-225E2 | NS | 288307 | 6 | MT-225E4TP | NS | 062308 | 3 |
| 2.5 | 208 | 1 | 48 | 2 | 9-1/2 | MT-225A | NS | 295099 | 3 | MT-225E2 | NS | 295101 | 6 | MT-225E4TP | NS | 062316 | 3 |
| 3 | 120 | 1 | 48 | 2 | 12 | MT-230A | S | 139571 | 4 | MT-230E2 | NS | 288315 | 7 | MT-230E4TP | NS | 062324 | 4 |
| 3 | 240 | 1 | 48 | 2 | 12 | MT-230A | S | 139580 | 4 | MT-230E2 | S | 288323 | 7 | MT-230E4TP | NS | 062332 | 4 |
| 3 | 480 | 1 | 48 | 2 | 12 | MT-230A | NS | 139598 | 4 | MT-230E2 | NS | 288331 | 7 | MT-230E4TP | NS | 062340 | 4 |
| 3 | 208 | 1 | 48 | 2 | 12 | MT-230A | NS | 295110 | 4 | MT-230E2 | NS | 295128 | 7 | MT-230E4TP | NS | 062359 | 4 |
| 4 | 120 | 1 | 48 | 2 | 18 | MT-240A | NS | 139600 | 4 | — | — | — | — | — | — | — | 4 |
| 4 | 240 | 1 | 48 | 2 | 18 | MT-240A | NS | 139619 | 4 | MT-240E2 | NS | 288340 | 7 | MT-240E4TP | NS | 062375 | 4 |
| 4 | 480 | 1 | 48 | 2 | 18 | MT-240A | S | 139627 | 4 | MT-240E2 | S | 288358 | 7 | MT-240E4TP | NS | 062383 | 4 |
| 4 | 208 | 1 | 48 | 2 | 18 | MT-240A | NS | 295136 | 4 | MT-240E2 | NS | 295144 | 7 | MT-240E4TP | NS | 062391 | 4 |
| 5 | 120 | 1 | 53 | 2 | 19-13/16 | MT-250A | NS | 139635 | 5 | — | — | — | — | — | — | — | 5 |
| 5 | 240 | 1 | 53 | 2 | 19-13/16 | MT-250A | S | 139643 | 5 | MT-250E2 | NS | 288366 | 8 | MT-250E4TP | NS | 062412 | 5 |
| 5 | 480 | 1 | 53 | 2 | 19-13/16 | MT-250A | S | 139651 | 5 | MT-250E2 | S | 288374 | 8 | MT-250E4TP | NS | 062420 | 5 |
| 5 | 208 | 1 | 53 | 2 | 19-13/16 | MT-250A | NS | 295152 | 5 | MT-250E2 | NS | 295160 | 8 | MT-250E4TP | NS | 062439 | 5 |

¹Under the U.S. Federal Safe Drinking Water Act, it is unlawful to install or use this product in any service that comes into contact with water for human consumption (including drinking, food or beverage preparation, hand washing, or teeth brushing). This product is intended exclusively for use in non-potable service.



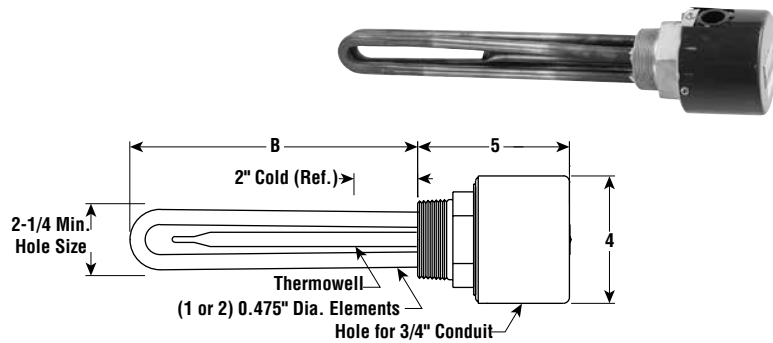
Immersion

MT-2

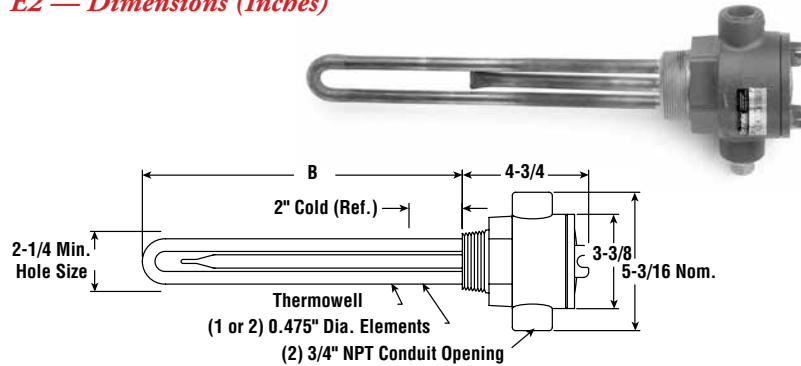
Clean Water Applications (cont'd.)

- 2" NPT Brass Screw Plug
- Copper Sheath Elements
- High Watt Density (46 - 53 W/in²)
- 1.5 - 15 kW
- Without Thermostat
- 120, 208, 240 and 480 Volt, Single Phase
- General Purpose, Moisture Resistant/Explosion Resistant Terminal Enclosure or Moisture Resistant

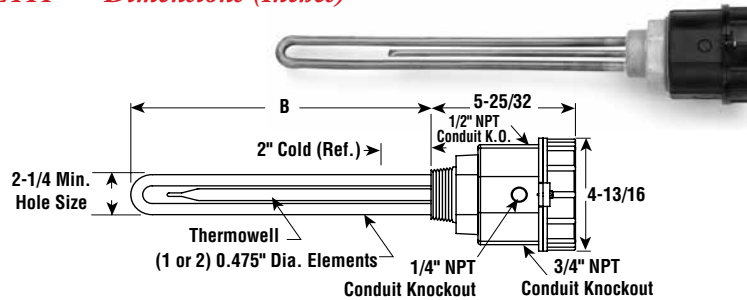
E1 — Dimensions (Inches)



E2 — Dimensions (Inches)



E4TP — Dimensions (Inches)



Specifications and Ordering Information

| | | | | | | E1 General Purpose ¹ | | | | | E2 Moisture Resistant/ Explosion Resistant ² | | | | E4 Moisture Resistant | | | |
|----|-------|-------|-------------------|-----------|-------------|---------------------------------|-------|--------|------------|------------|--|--------|------------|--------------|-----------------------|--------|------------|--|
| kW | Volts | Phase | W/in ² | No. Elem. | DIM B (In.) | Model | Stock | PCN | Wt. (Lbs.) | Model | Stock | PCN | Wt. (Lbs.) | Model | Stock | PCN | Wt. (Lbs.) | |
| 6 | 240 | 1 | 47 | 2 | 25-1/8 | MT-260A | S | 139660 | 5 | MT-260E2 | NS | 288382 | 8 | MT-260E4TP | NS | 062447 | 5 | |
| 6 | 480 | 1 | 47 | 2 | 25-1/8 | MT-260A | S | 139678 | 5 | MT-260E2 | NS | 295390 | 8 | MT-260E4TP | NS | 062455 | 5 | |
| 6 | 208 | 1 | 47 | 2 | 25-1/8 | MT-260A | NS | 295179 | 5 | MT-260E2 | NS | 288187 | 8 | MT-260E4TP | NS | 062463 | 5 | |
| 7 | 240 | 1 | 49 | 2 | 28 | MT-270A | S | 139686 | 6 | MT-270E2 | NS | 288403 | 9 | MT-270E4TP | NS | 062471 | 6 | |
| 7 | 480 | 1 | 49 | 2 | 28 | MT-270A | S | 139694 | 6 | MT-270E2 | S | 288411 | 9 | MT-270E4TP | NS | 062480 | 6 | |
| 10 | 240 | 1 | 46 | 2 | 40-1/2 | MT-2100A | S | 139707 | 7 | MT-2100E2 | NS | 288420 | 10 | MT-2100E4TP | NS | 062084 | 7 | |
| 10 | 480 | 1 | 46 | 2 | 40-1/2 | MT-2100A | S | 139715 | 7 | MT-2100E2 | NS | 288438 | 10 | MT-2100E4TP | NS | 062092 | 7 | |
| 10 | 208 | 1 | 46 | 2 | 40-1/2 | MT-2100A | NS | 295195 | 7 | MT-2100E2 | NS | 295208 | 10 | MT-2100E4TP | NS | 062105 | 7 | |
| 12 | 240 | 1 | 46 | 2 | 48 | MT-2120A* | NS | 295232 | 8 | MT-2120E2* | NS | 295240 | 11 | MT-2120E4TP* | NS | 062121 | 8 | |
| 12 | 480 | 1 | 46 | 2 | 48 | MT-2120A | NS | 295259 | 8 | MT-2120E2 | NS | 295267 | 11 | MT-2120E4TP* | NS | 062130 | 8 | |
| 12 | 208 | 1 | 46 | 2 | 48 | MT-2120A* | NS | 295216 | 8 | MT-2120E2* | NS | 295224 | 11 | MT-2120E4TP | NS | 062113 | 8 | |
| 15 | 240 | 1 | 50 | 2 | 54 | MT-2150A* | NS | 295312 | 9 | MT-2150E2* | NS | 295339 | 12 | MT-2150E4TP* | NS | 062148 | 9 | |
| 15 | 480 | 1 | 50 | 2 | 54 | MT-2150A | NS | 295320 | 9 | MT-2150E2 | NS | 295347 | 12 | MT-2150E4TP | NS | 062156 | 9 | |

To Order—Specify model, volts, phase, kW, PCN and quantity.

1. Heaters with General Purpose Enclosures are UL Listed and CSA Certified except Models with *(Exceeds 48 Amps).
2. Heaters with Moisture Resistant/Explosion Resistant Enclosures are cCSA_{US}® Certified except Models with *(Exceeds 48 Amps).

FASTShipSM

Same-day shipping on stock item orders received before 4 pm CST. 3-day shipping on assembly-stock items.

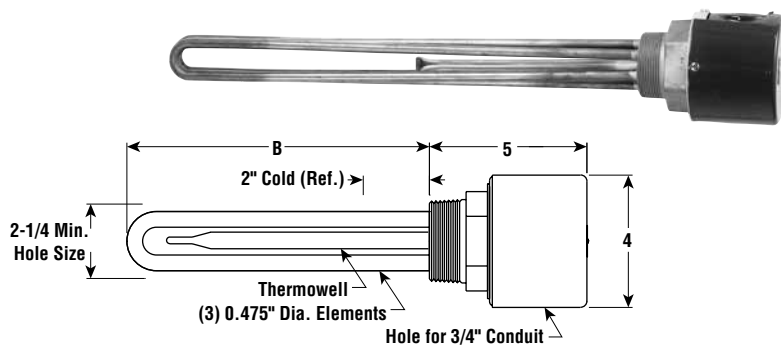
"Under the U.S. Federal Safe Drinking Water Act, it is unlawful to install or use this product in any service that comes into contact with water for human consumption (including drinking, food or beverage preparation, hand washing, or teeth brushing). This product is intended exclusively for use in non-potable service."

Immersion

EMT-3 Clean Water Applications

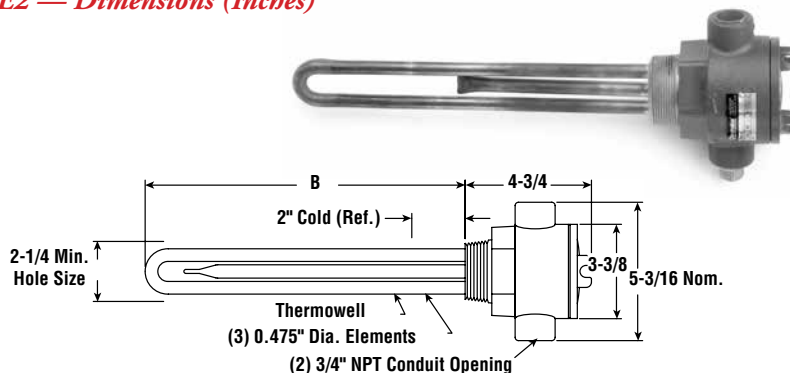
- 2" NPT Brass Screw Plug
- Copper Sheath Elements
- High Watt Density (61 - 67 W/in²)
- 3 - 12 kW
- Without Thermostat
- 240 and 480 Volt, Three Phase
- General Purpose, Moisture Resistant/Explosion Resistant Terminal Enclosure or Moisture Resistant

E1 — Dimensions (Inches)

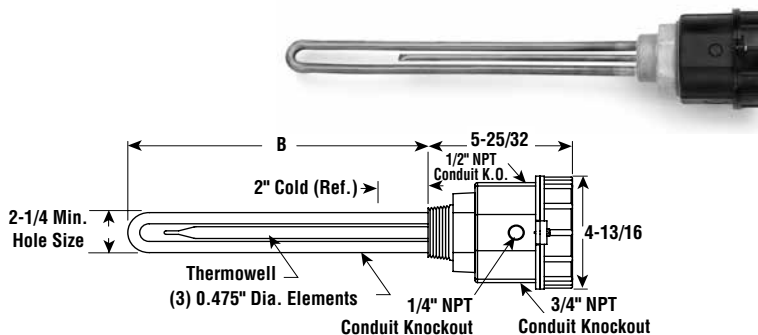


SCREW PLUG

E2 — Dimensions (Inches)



E4TP — Dimensions (Inches)



Specifications and Ordering Information

| | | | | | | E1 General Purpose ¹ | | | | E2 Moisture Resistant Explosion Resistant ² | | | | E4 Moisture Resistant | | | |
|----|-------|-------|-------------------|-----------|-------------|---------------------------------|-------|--------|------------|---|-------|--------|------------|-----------------------|-------|--------|------------|
| kW | Volts | Phase | W/in ² | No. Elem. | DIM B (In.) | Model | Stock | PCN | Wt. (Lbs.) | Model | Stock | PCN | Wt. (Lbs.) | Model | Stock | PCN | Wt. (Lbs.) |
| 3 | 240 | 3 | 67 | 3 | 7 | EMT-303 | S | 326220 | 5 | EMT-303E2 | NS | 326300 | 8 | EMT-303E4TP | NS | 060679 | 5 |
| 3 | 480 | 3 | 67 | 3 | 7 | EMT-303 | S | 326238 | 5 | EMT-303E2 | NS | 326318 | 8 | EMT-303E4TP | NS | 060687 | 5 |
| 6 | 240 | 3 | 67 | 3 | 12 | EMT-306 | S | 326246 | 6 | EMT-306E2 | NS | 326326 | 9 | EMT-306E4TP | NS | 060695 | 6 |
| 6 | 480 | 3 | 67 | 3 | 12 | EMT-306 | S | 326254 | 6 | EMT-306E2 | NS | 326334 | 9 | EMT-306E4TP | NS | 060708 | 6 |
| 9 | 240 | 3 | 65 | 3 | 17-1/2 | EMT-309 | NS | 326262 | 7 | EMT-309E2 | NS | 326342 | 10 | EMT-309E4TP | NS | 060716 | 7 |
| 9 | 480 | 3 | 65 | 3 | 17-1/2 | EMT-309 | S | 326270 | 7 | EMT-309E2 | NS | 326350 | 10 | EMT-309E4TP | NS | 060724 | 7 |
| 12 | 240 | 3 | 61 | 3 | 24 | EMT-312 | S | 326289 | 8 | EMT-312E2 | NS | 326369 | 11 | EMT-312E4TP | NS | 060732 | 8 |
| 12 | 480 | 3 | 61 | 3 | 24 | EMT-312 | S | 326297 | 8 | EMT-312E2 | NS | 326377 | 11 | EMT-312E4TP | NS | 060740 | 8 |

Stock Status: S = stock NS = non-stock
To Order—Specify model, volts, phase, kW, PCN and quantity.



1. Heaters with General Purpose Enclosures are UL Listed and CSA Certified.
2. Heaters with Moisture Resistant/Explosion Resistant Enclosures are cCSA_{US}® Certified.a

Same-day shipping on stock item orders received before 4 pm CST.
3-day shipping on assembly-stock items.

"Under the U.S. Federal Safe Drinking Water Act, it is unlawful to install or use this product in any service that comes into contact with water for human consumption (including drinking, food or beverage preparation, hand washing, or teeth brushing). This product is intended exclusively for use in non-potable service."

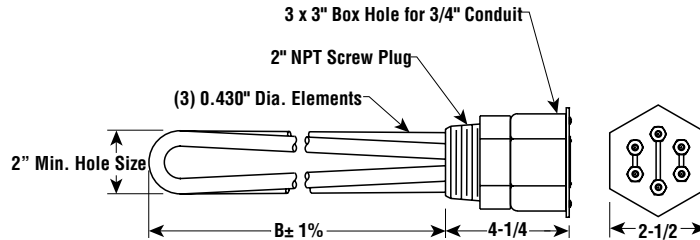
CH-SD

Clean Water Applications

- 2" NPT Brass Screw Plug
- INCOLOY® Sheath Elements
- High Watt Density (50 W/in²)
- 5 - 10 kW
- Without Thermostat
- 208, 240 and 480 Volt, 1 and 3 Phase
- General Purpose Terminal Enclosure



Dimensions (Inches)



Specifications and Ordering Information

| kW | Volts | Phase | W/in ² | No. Elem. | DIM B (In.) | Wt. (Lbs.) | Model | Stock | PCN |
|-----|-------|-------|-------------------|-----------|-------------|------------|-------------|-------|--------|
| 5 | 208 | 3 | 56 | 3 | 12-7/8 | 9 | CH-SD-5083 | S | 096022 |
| 5 | 240 | 3 | 56 | 3 | 12-7/8 | 9 | CH-SD-5043 | S | 096030 |
| 5 | 480 | 3 | 56 | 3 | 12-7/8 | 9 | CH-SD-5053 | S | 096049 |
| 5 | 208 | 1 | 56 | 3 | 12-7/8 | 9 | CH-SD-508 | S | 096057 |
| 5 | 240 | 1 | 56 | 3 | 12-7/8 | 9 | CH-SD-504 | S | 096065 |
| 7.5 | 208 | 3 | 56 | 3 | 18-3/8 | 10 | CH-SD-7583 | S | 096073 |
| 7.5 | 240 | 3 | 56 | 3 | 18-3/8 | 10 | CH-SD-7543 | S | 096081 |
| 10 | 208 | 3 | 68 | 3 | 20 | 10 | CH-SD-10083 | S | 096090 |
| 10 | 240 | 3 | 68 | 3 | 20 | 10 | CH-SD-10043 | S | 096102 |
| 10 | 480 | 3 | 68 | 3 | 20 | 10 | CH-SD-10053 | S | 096110 |

Stock Status: S = stock NS = non-stock
To Order—Specify model, volts, phase, kW, PCN and quantity.

"Under the U.S. Federal Safe Drinking Water Act, it is unlawful to install or use this product in any service that comes into contact with water for human consumption (including drinking, food or beverage preparation, hand washing, or teeth brushing). This product is intended exclusively for use in non-potable service."

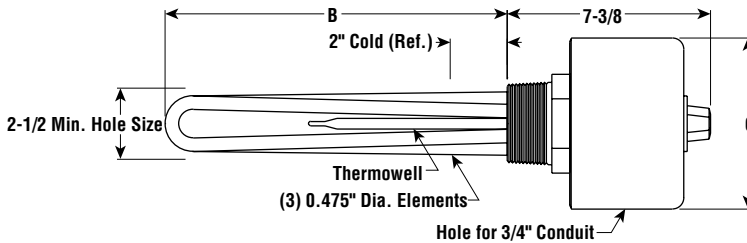
Immersion

ARMT-3 Clean Water Applications

- 2-1/2" NPT Brass Screw Plug
- Copper Sheath Elements
- High Watt Density (46 - 53 W/in²)
- 3 - 18 kW
- Integral Thermostat (DPST)
- 120, 208, 240 and 480 Volt, 1 and 3 Phase
- General Purpose Terminal Enclosure



E1 — Dimensions (Inches)



FASTShip

Same-day shipping on stock item orders received before 4 pm CST.
3-day shipping on assembly-stock items.

Specifications and Ordering Information

| | | | | | | | T2 — Temperature (60 - 250°F) | | | T1 — Temperature (0 - 100°F) | | |
|---------------------------|-------|-------|-------------------|-----------|-------------|------------|-------------------------------|----------|---------------|------------------------------|-------|--------|
| kW | Volts | Phase | W/in ² | No. Elem. | DIM B (In.) | Wt. (Lbs.) | Model | Stock | PCN | Model | Stock | PCN |
| E1 General Purpose | | | | | | | | | | | | |
| 3 | 120 | 1 | 51 | 3 | 7-3/8 | 6 | ARMT-3305T2 | NS | 190852 | ARMT-3305T1 | NS | 310957 |
| 3 | 208 | 1 | 51 | 3 | 7-3/8 | 6 | ARMT-3305T2 | NS | 320733 | ARMT-3305T1 | NS | 320741 |
| 3 | 208 | 3 | 51 | 3 | 7-3/8 | 6 | ARMT-3305T2 | NS | 320776 | ARMT-3305T1 | NS | 320784 |
| 3 | 240 | 1 | 51 | 3 | 7-3/8 | 6 | ARMT-3305T2 | NS | 285819 | ARMT-3305T1 | NS | 285800 |
| 3 | 240 | 3 | 51 | 3 | 7-3/8 | 6 | ARMT-3305T2 | NS | 274810 | ARMT-3305T1 | NS | 285843 |
| 3 | 480 | 1 | 51 | 3 | 7-3/8 | 6 | ARMT-3305T2 | NS | 270297 | ARMT-3305T1 | NS | 310981 |
| 3 | 480 | 3 | 51 | 3 | 7-3/8 | 6 | ARMT-3305T2 | NS | 270300 | ARMT-3305T1 | NS | 310990 |
| 3.75 | 120 | 1 | 52 | 3 | 8-7/8 | 6 | ARMT-3375T2 | NS | 190895 | ARMT-3375T1 | NS | 311044 |
| 3.75 | 208 | 1 | 52 | 3 | 8-7/8 | 6 | ARMT-3375T2 | NS | 320813 | ARMT-3375T1 | NS | 320821 |
| 3.75 | 208 | 3 | 52 | 3 | 8-7/8 | 6 | ARMT-3375T2 | NS | 320856 | ARMT-3375T1 | NS | 320864 |
| 3.75 | 240 | 1 | 52 | 3 | 8-7/8 | 6 | ARMT-3375T2 | NS | 285886 | ARMT-3375T1 | NS | 285878 |
| 3.75 | 240 | 3 | 52 | 3 | 8-7/8 | 6 | ARMT-3375T2 | NS | 285923 | ARMT-3375T1 | NS | 285915 |
| 3.75 | 480 | 1 | 52 | 3 | 8-7/8 | 6 | ARMT-3375T2 | NS | 270350 | ARMT-3375T1 | NS | 311052 |
| 3.75 | 480 | 3 | 52 | 3 | 8-7/8 | 6 | ARMT-3375T2 | NS | 274829 | ARMT-3375T1 | NS | 311060 |
| 4.5 | 120 | 1 | 48 | 3 | 11-3/8 | 7 | ARMT-3455T2 | NS | 270377 | ARMT-3455T1 | NS | 311132 |
| 4.5 | 208 | 1 | 48 | 3 | 11-3/8 | 7 | ARMT-3455T2 | NS | 320899 | ARMT-3455T1 | NS | 320901 |
| 4.5 | 208 | 3 | 48 | 3 | 11-3/8 | 7 | ARMT-3455T2 | NS | 320936 | ARMT-3455T1 | NS | 320944 |
| 4.5 | 240 | 1 | 48 | 3 | 11-3/8 | 7 | ARMT-3455T2 | NS | 285966 | ARMT-3455T1 | NS | 285958 |
| 4.5 | 240 | 3 | 48 | 3 | 11-3/8 | 7 | ARMT-3455T2 | NS | 274837 | ARMT-3455T1 | NS | 285990 |
| 4.5 | 480 | 1 | 48 | 3 | 11-3/8 | 7 | ARMT-3455T2 | NS | 286037 | ARMT-3455T1 | NS | 286029 |
| 4.5 | 480 | 3 | 48 | 3 | 11-3/8 | 7 | ARMT-3455T2 | NS | 274845 | ARMT-3455T1 | NS | 286061 |
| 6 | 120 | 1 | 48 | 3 | 17-3/8 | 8 | ARMT-3605T2 | NS | 270430 | ARMT-3605T1 | NS | 311167 |
| 6 | 208 | 1 | 48 | 3 | 17-3/8 | 8 | ARMT-3605T2 | NS | 320979 | ARMT-3605T1 | NS | 320987 |
| 6 | 208 | 3 | 48 | 3 | 17-3/8 | 8 | ARMT-3605T2 | NS | 321015 | ARMT-3605T1 | NS | 321023 |
| 6 | 240 | 1 | 48 | 3 | 17-3/8 | 8 | ARMT-3605T2 | NS | 286109 | ARMT-3605T1 | NS | 286096 |
| 6 | 240 | 3 | 48 | 3 | 17-3/8 | 8 | ARMT-3605T2 | NS | 274853 | ARMT-3605T1 | NS | 286133 |
| 6 | 480 | 1 | 48 | 3 | 17-3/8 | 8 | ARMT-3605T2 | NS | 286176 | ARMT-3605T1 | NS | 286168 |
| 6 | 480 | 3 | 48 | 3 | 17-3/8 | 8 | ARMT-3605T2 | S | 286213 | ARMT-3605T1 | NS | 286205 |
| 7.5 | 208 | 1 | 53 | 3 | 19-1/8 | 8 | ARMT-3755T2 | NS | 321058 | ARMT-3755T1 | NS | 321066 |
| 7.5 | 208 | 3 | 53 | 3 | 19-1/8 | 8 | ARMT-3755T2 | NS | 321090 | ARMT-3755T1 | NS | 321103 |
| 7.5 | 240 | 1 | 53 | 3 | 19-1/8 | 8 | ARMT-3755T2 | NS | 274861 | ARMT-3755T1 | NS | 286230 |
| 7.5 | 240 | 3 | 53 | 3 | 19-1/8 | 8 | ARMT-3755T2 | NS | 286272 | ARMT-3755T1 | NS | 286264 |
| 7.5 | 480 | 1 | 53 | 3 | 19-1/8 | 8 | ARMT-3755T2 | NS | 286310 | ARMT-3755T1 | NS | 286301 |
| 7.5 | 480 | 3 | 53 | 3 | 19-1/8 | 8 | ARMT-3755T2 | NS | 286352 | ARMT-3755T1 | NS | 286344 |
| 9 | 208 | 1 | 47 | 3 | 24-1/2 | 9 | ARMT-3905T2 | NS | 321138 | ARMT-3905T1 | NS | 321146 |
| 9 | 208 | 3 | 47 | 3 | 24-1/2 | 9 | ARMT-3905T2 | NS | 321170 | ARMT-3905T1 | NS | 321189 |
| 9 | 240 | 1 | 47 | 3 | 24-1/2 | 9 | ARMT-3905T2 | NS | 286395 | ARMT-3905T1 | NS | 286387 |
| 9 | 240 | 3 | 47 | 3 | 24-1/2 | 9 | ARMT-3905T2 | NS | 274870 | ARMT-3905T1 | NS | 286424 |
| 9 | 480 | 1 | 47 | 3 | 24-1/2 | 9 | ARMT-3905T2 | NS | 286467 | ARMT-3905T1 | NS | 286459 |
| 9 | 480 | 3 | 47 | 3 | 24-1/2 | 9 | ARMT-3905T2 | NS | 274888 | ARMT-3905T1 | NS | 285491 |

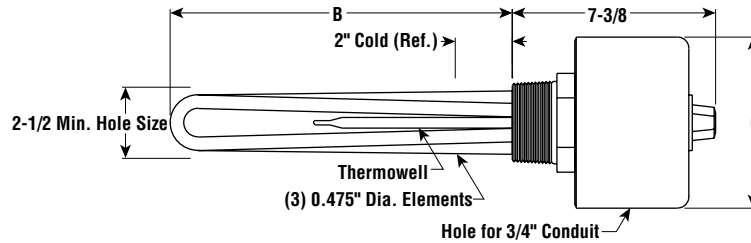
"Under the U.S. Federal Safe Drinking Water Act, it is unlawful to install or use this product in any service that comes into contact with water for human consumption (including drinking, food or beverage preparation, hand washing, or teeth brushing). This product is intended exclusively for use in non-potable service."

ARMT-3 Clean Water Applications *(cont'd.)*



- 2-1/2" NPT Brass Screw Plug
- Copper Sheath Elements
- High Watt Density (46 - 53 W/in²)
- 3 - 18 kW
- Integral Thermostat (DPST)
- 120, 208, 240 and 480 Volt,
1 and 3 Phase
- General Purpose Terminal
Enclosure

E1 — Dimensions (Inches)



Specifications and Ordering Information

| kW | Volts | Phase | W/in ² | No. Elem. | DIM B (In.) | Wt. (Lbs.) | T2 — Temperature (60 - 250°F) | | | T1 — Temperature (0 - 100°F) | | |
|---------------------------|-------|-------|-------------------|-----------|-------------|------------|-------------------------------|-------|--------|------------------------------|-------|--------|
| | | | | | | | Model | Stock | PCN | Model | Stock | PCN |
| E1 General Purpose | | | | | | | | | | | | |
| 12 | 208 | 1 | 46 | 3 | 32-5/16 | 13 | ARMT-31205T2 ¹ | NS | 321218 | ARMT-31205T1 ¹ | NS | 321226 |
| 12 | 208 | 3 | 46 | 3 | 32-5/16 | 13 | ARMT-31205T2 | NS | 321250 | ARMT-31205T1 | NS | 321269 |
| 12 | 240 | 1 | 46 | 3 | 32-5/16 | 13 | ARMT-31205T2 ¹ | NS | 321293 | ARMT-31205T1 ¹ | NS | 321306 |
| 12 | 240 | 3 | 46 | 3 | 32-5/16 | 13 | ARMT-31205T2 | NS | 321330 | ARMT-31205T1 | NS | 321349 |
| 12 | 480 | 1 | 46 | 3 | 32-5/16 | 13 | ARMT-31205T2 | NS | 321373 | ARMT-31205T1 | NS | 321381 |
| 12 | 480 | 3 | 46 | 3 | 32-5/16 | 13 | ARMT-31205T2 | NS | 321410 | ARMT-31205T1 | NS | 321429 |
| 15 | 208 | 1 | 46 | 3 | 39-3/4 | 14 | ARMT-31505T2 ¹ | NS | 321453 | ARMT-31505T1 ¹ | NS | 321461 |
| 15 | 208 | 3 | 46 | 3 | 39-3/4 | 14 | ARMT-31505T2 | NS | 321496 | ARMT-31505T1 | NS | 321509 |
| 15 | 240 | 1 | 46 | 3 | 39-3/4 | 14 | ARMT-31505T2 ¹ | NS | 321533 | ARMT-31505T1 ¹ | NS | 321541 |
| 15 | 240 | 3 | 46 | 3 | 39-3/4 | 14 | ARMT-31505T2 | NS | 321576 | ARMT-31505T1 | NS | 321584 |
| 15 | 480 | 1 | 46 | 3 | 39-3/4 | 14 | ARMT-31505T2 | NS | 321613 | ARMT-31505T1 | NS | 321621 |
| 15 | 480 | 3 | 46 | 3 | 39-3/4 | 14 | ARMT-31505T2 | NS | 321656 | ARMT-31505T1 | NS | 321664 |
| 18 | 208 | 3 | 46 | 3 | 47-1/4 | 15 | ARMT-31805T2 ¹ | NS | 321699 | ARMT-31805T1 ¹ | NS | 321701 |
| 18 | 240 | 1 | 46 | 3 | 47-1/4 | 15 | ARMT-31805T2 ¹ | NS | 321736 | ARMT-31805T1 ¹ | NS | 321744 |
| 18 | 240 | 3 | 46 | 3 | 47-1/4 | 15 | ARMT-31805T2 | NS | 321779 | ARMT-31805T1 | NS | 321787 |
| 18 | 480 | 1 | 46 | 3 | 47-1/4 | 15 | ARMT-31805T2 | NS | 321816 | ARMT-31805T1 | NS | 321824 |
| 18 | 480 | 3 | 46 | 3 | 47-1/4 | 15 | ARMT-31805T2 | NS | 321859 | ARMT-31805T1 | NS | 321867 |

Stock Status: S = stock NS = non-stock
To Order—Specify model, volts, phase, kW, PCN and quantity.

1. Not UL Listed or CSA Certified (Exceeds 48 Amps).

FASTShip™

Same-day shipping on stock item orders received before 4 pm CST.
 3-day shipping on assembly-stock items.

"Under the U.S. Federal Safe Drinking Water Act, it is unlawful to install or use this product in any service that comes into contact with water for human consumption (including drinking, food or beverage preparation, hand washing, or teeth brushing). This product is intended exclusively for use in non-potable service."

Immersion

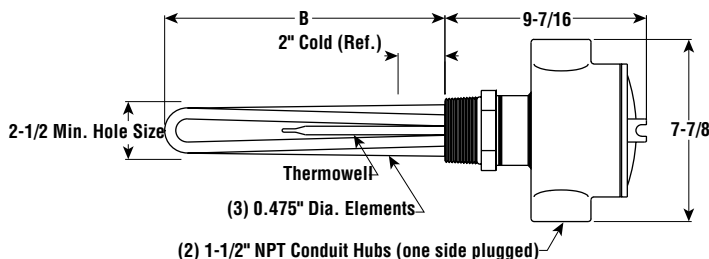


ARMT-3 Clean Water Applications (cont'd.)



- 2-1/2" NPT Brass Screw Plug
- Copper Sheath Elements
- High Watt Density (46 - 53 W/in²)
- 3 - 18 kW
- Integral Thermostat (DPST)
- 120, 208, 240 and 480 Volt, 1 and 3 Phase
- Moisture Resistant/Explosion Resistant Terminal Enclosure

E2 — Dimensions (Inches)



SCREW PLUG



Same-day shipping on stock item orders received before 4 pm CST.
3-day shipping on assembly-stock items.

Specifications and Ordering Information

| kW | Volts | Phase | W/in ² | No. Elem. | D/MB (In.) | Wt. (Lbs.) | T2 — Temperature (60 - 250°F) | | | T1 — Temperature (0 - 100°F) | | |
|--|-------|-------|-------------------|-----------|------------|------------|-------------------------------|-------|--------|------------------------------|-------|--------|
| | | | | | | | Model | Stock | PCN | Model | Stock | PCN |
| E2 Moisture Resistant/Explosion Resistant | | | | | | | | | | | | |
| 3 | 120 | 1 | 51 | 3 | 7-3/8 | 11 | ARMT-3305E2T2 | NS | 310965 | ARMT-3305E2T1 | NS | 310973 |
| 3 | 208 | 1 | 51 | 3 | 7-3/8 | 11 | ARMT-3305E2T2 | NS | 320750 | ARMT-3305E2T1 | NS | 320768 |
| 3 | 208 | 3 | 51 | 3 | 7-3/8 | 11 | ARMT-3305E2T2 | NS | 320792 | ARMT-3305E2T1 | NS | 320805 |
| 3 | 240 | 1 | 51 | 3 | 7-3/8 | 11 | ARMT-3305E2T2 | NS | 285835 | ARMT-3305E2T1 | NS | 285827 |
| 3 | 240 | 3 | 51 | 3 | 7-3/8 | 11 | ARMT-3305E2T2 | NS | 285860 | ARMT-3305E2T1 | NS | 285851 |
| 3 | 480 | 1 | 51 | 3 | 7-3/8 | 11 | ARMT-3305E2T2 | NS | 311001 | ARMT-3305E2T1 | NS | 311028 |
| 3 | 480 | 3 | 51 | 3 | 7-3/8 | 11 | ARMT-3305E2T2 | NS | 311010 | ARMT-3305E2T1 | NS | 311036 |
| 3.75 | 120 | 1 | 52 | 3 | 8-7/8 | 11 | ARMT-3375E2T2 | NS | 311079 | ARMT-3375E2T1 | NS | 311108 |
| 3.75 | 208 | 1 | 52 | 3 | 8-7/8 | 11 | ARMT-3375E2T2 | NS | 320830 | ARMT-3375E2T1 | NS | 320848 |
| 3.75 | 208 | 3 | 52 | 3 | 8-7/8 | 11 | ARMT-3375E2T2 | NS | 320872 | ARMT-3375E2T1 | NS | 320880 |
| 3.75 | 240 | 1 | 52 | 3 | 8-7/8 | 11 | ARMT-3375E2T2 | NS | 285907 | ARMT-3375E2T1 | NS | 285894 |
| 3.75 | 240 | 3 | 52 | 3 | 8-7/8 | 11 | ARMT-3375E2T2 | NS | 285940 | ARMT-3375E2T1 | NS | 285931 |
| 3.75 | 480 | 1 | 52 | 3 | 8-7/8 | 11 | ARMT-3375E2T2 | NS | 311087 | ARMT-3375E2T1 | NS | 311116 |
| 3.75 | 480 | 3 | 52 | 3 | 8-7/8 | 11 | ARMT-3375E2T2 | NS | 311095 | ARMT-3375E2T1 | NS | 311124 |
| 4.5 | 120 | 1 | 48 | 3 | 11-3/8 | 12 | ARMT-3455E2T2 | NS | 311140 | ARMT-3455E2T1 | NS | 311159 |
| 4.5 | 208 | 1 | 48 | 3 | 11-3/8 | 12 | ARMT-3455E2T2 | NS | 320910 | ARMT-3455E2T1 | NS | 320928 |
| 4.5 | 208 | 3 | 48 | 3 | 11-3/8 | 12 | ARMT-3455E2T2 | NS | 320952 | ARMT-3455E2T1 | NS | 320960 |
| 4.5 | 240 | 1 | 48 | 3 | 11-3/8 | 12 | ARMT-3455E2T2 | NS | 285982 | ARMT-3455E2T1 | NS | 285974 |
| 4.5 | 240 | 3 | 48 | 3 | 11-3/8 | 12 | ARMT-3455E2T2 | NS | 286010 | ARMT-3455E2T1 | NS | 286002 |
| 4.5 | 480 | 1 | 48 | 3 | 11-3/8 | 12 | ARMT-3455E2T2 | NS | 286053 | ARMT-3455E2T1 | NS | 286045 |
| 4.5 | 480 | 3 | 48 | 3 | 11-3/8 | 12 | ARMT-3455E2T2 | NS | 286088 | ARMT-3455E2T1 | NS | 286070 |
| 6 | 120 | 1 | 48 | 3 | 17-3/8 | 13 | ARMT-3605E2T2 | NS | 311175 | ARMT-3605E2T1 | NS | 311183 |
| 6 | 208 | 1 | 48 | 3 | 17-3/8 | 13 | ARMT-3605E2T2 | NS | 320995 | ARMT-3605E2T1 | NS | 321007 |
| 6 | 208 | 3 | 48 | 3 | 17-3/8 | 13 | ARMT-3605E2T2 | NS | 321031 | ARMT-3605E2T1 | NS | 321040 |
| 6 | 240 | 1 | 48 | 3 | 17-3/8 | 13 | ARMT-3605E2T2 | NS | 286125 | ARMT-3605E2T1 | NS | 286117 |
| 6 | 240 | 3 | 48 | 3 | 17-3/8 | 13 | ARMT-3605E2T2 | NS | 286150 | ARMT-3605E2T1 | NS | 286141 |
| 6 | 480 | 1 | 48 | 3 | 17-3/8 | 13 | ARMT-3605E2T2 | NS | 286192 | ARMT-3605E2T1 | NS | 286184 |
| 6 | 480 | 3 | 48 | 3 | 17-3/8 | 13 | ARMT-3605E2T2 | NS | 286221 | ARMT-3605E2T1 | NS | 274896 |
| 7.5 | 208 | 1 | 53 | 3 | 19-1/8 | 13 | ARMT-3755E2T2 | NS | 321074 | ARMT-3755E2T1 | NS | 321082 |
| 7.5 | 208 | 3 | 53 | 3 | 19-1/8 | 13 | ARMT-3755E2T2 | NS | 321111 | ARMT-3755E2T1 | NS | 321120 |
| 7.5 | 240 | 1 | 53 | 3 | 19-1/8 | 13 | ARMT-3755E2T2 | NS | 286256 | ARMT-3755E2T1 | NS | 286248 |
| 7.5 | 240 | 3 | 53 | 3 | 19-1/8 | 13 | ARMT-3755E2T2 | NS | 286299 | ARMT-3755E2T1 | NS | 286280 |
| 7.5 | 480 | 1 | 53 | 3 | 19-1/8 | 13 | ARMT-3755E2T2 | NS | 286336 | ARMT-3755E2T1 | NS | 286328 |
| 7.5 | 480 | 3 | 53 | 3 | 19-1/8 | 13 | ARMT-3755E2T2 | NS | 286379 | ARMT-3755E2T1 | NS | 286360 |
| 9 | 208 | 1 | 47 | 3 | 24-1/2 | 14 | ARMT-3905E2T2 | NS | 321154 | ARMT-3905E2T1 | NS | 321162 |
| 9 | 208 | 3 | 47 | 3 | 24-1/2 | 14 | ARMT-3905E2T2 | NS | 321197 | ARMT-3905E2T1 | NS | 321200 |
| 9 | 240 | 1 | 47 | 3 | 24-1/2 | 14 | ARMT-3905E2T2 | NS | 286416 | ARMT-3905E2T1 | NS | 286408 |
| 9 | 240 | 3 | 47 | 3 | 24-1/2 | 14 | ARMT-3905E2T2 | NS | 286440 | ARMT-3905E2T1 | NS | 286432 |
| 9 | 480 | 1 | 47 | 3 | 24-1/2 | 14 | ARMT-3905E2T2 | NS | 286483 | ARMT-3905E2T1 | NS | 286475 |
| 9 | 480 | 3 | 47 | 3 | 24-1/2 | 14 | ARMT-3905E2T2 | NS | 286512 | ARMT-3905E2T1 | NS | 286504 |

"Under the U.S. Federal Safe Drinking Water Act, it is unlawful to install or use this product in any service that comes into contact with water for human consumption (including drinking, food or beverage preparation, hand washing, or teeth brushing). This product is intended exclusively for use in non-potable service."



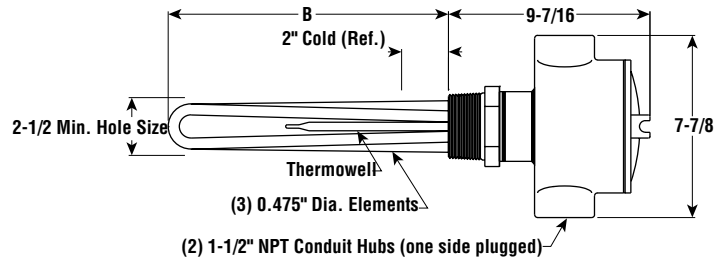
Immersion

ARMT-3 Clean Water Applications *(cont'd.)*



- 2-1/2" NPT Brass Screw Plug
- Copper Sheath Elements
- High Watt Density (46 - 53 W/in²)
- 3 - 18 kW
- Integral Thermostat (DPST)
- 120, 208, 240 and 480 Volt,
1 and 3 Phase
- Moisture Resistant/Explosion
Resistant Terminal Enclosure

E2 — Dimensions (Inches)



FASTShip

Same-day shipping on stock item
orders received before 4 pm CST.
3-day shipping on assembly-stock items.

Specifications and Ordering Information

| | | | | | | | T2 — Temperature (60 - 250°F) | | | T1 — Temperature (0 - 100°F) | | |
|--|-------|-------|-------------------|-----------|-------------|------------|-----------------------------------|----------|---------------|------------------------------|-------|--------|
| kW | Volts | Phase | W/in ² | No. Elem. | DIM B (In.) | Wt. (Lbs.) | Model | Stock | PCN | Model | Stock | PCN |
| E2 Moisture Resistant/Explosion Resistant | | | | | | | | | | | | |
| 12 | 208 | 1 | 46 | 3 | 32-5/16 | 18 | ARMT-31205E2T2 ¹ | AS | 321234 | ARMT-31205E2T1 ¹ | NS | 321242 |
| 12 | 208 | 3 | 46 | 3 | 32-5/16 | 18 | ARMT-31205E2T2 | AS | 321277 | ARMT-31205E2T1 | NS | 321285 |
| 12 | 240 | 1 | 46 | 3 | 32-5/16 | 18 | ARMT-31205E2T2¹ | S | 321314 | ARMT-31205E2T1 ¹ | NS | 321322 |
| 12 | 240 | 3 | 46 | 3 | 32-5/16 | 18 | ARMT-31205E2T2 | AS | 321357 | ARMT-31205E2T1 | NS | 321365 |
| 12 | 480 | 1 | 46 | 3 | 32-5/16 | 18 | ARMT-31205E2T2 | AS | 321390 | ARMT-31205E2T1 | NS | 321402 |
| 12 | 480 | 3 | 46 | 3 | 32-5/16 | 18 | ARMT-31205E2T2 | AS | 321437 | ARMT-31205E2T1 | NS | 321445 |
| 15 | 208 | 1 | 46 | 3 | 39-3/4 | 19 | ARMT-31505E2T2 ¹ | AS | 321470 | ARMT-31505E2T1 ¹ | NS | 321488 |
| 15 | 208 | 3 | 46 | 3 | 39-3/4 | 19 | ARMT-31505E2T2 | AS | 321517 | ARMT-31505E2T1 | NS | 321525 |
| 15 | 240 | 1 | 46 | 3 | 39-3/4 | 19 | ARMT-31505E2T2 ¹ | AS | 321550 | ARMT-31505E2T1 ¹ | NS | 321568 |
| 15 | 240 | 3 | 46 | 3 | 39-3/4 | 19 | ARMT-31505E2T2 | AS | 321592 | ARMT-31505E2T1 | NS | 321605 |
| 15 | 480 | 1 | 46 | 3 | 39-3/4 | 19 | ARMT-31505E2T2 | AS | 321630 | ARMT-31505E2T1 | NS | 321648 |
| 15 | 480 | 3 | 46 | 3 | 39-3/4 | 19 | ARMT-31505E2T2 | AS | 321672 | ARMT-31505E2T1 | NS | 321680 |
| 18 | 208 | 1 | 46 | 3 | 47-1/4 | 20 | ARMT-31805E2T2 ¹ | AS | 311212 | ARMT-31805E2T1 ¹ | NS | 311220 |
| 18 | 208 | 3 | 46 | 3 | 47-1/4 | 20 | ARMT-31805E2T2 | AS | 321710 | ARMT-31805E2T1 | NS | 321728 |
| 18 | 240 | 1 | 46 | 3 | 47-1/4 | 20 | ARMT-31805E2T2 ¹ | AS | 321752 | ARMT-31805E2T1 ¹ | NS | 321760 |
| 18 | 240 | 3 | 46 | 3 | 47-1/4 | 20 | ARMT-31805E2T2 | AS | 321795 | ARMT-31805E2T1 | NS | 321808 |
| 18 | 480 | 1 | 46 | 3 | 47-1/4 | 20 | ARMT-31805E2T2 | AS | 321832 | ARMT-31805E2T1 | NS | 321840 |
| 18 | 480 | 3 | 46 | 3 | 47-1/4 | 20 | ARMT-31805E2T2 | AS | 321875 | ARMT-31805E2T1 | NS | 321883 |

Stock Status: S = stock NS = non-stock
To Order—Specify model, volts, phase, kW, PCN and quantity.

1. Not cCSA_{US}® Certified (Exceeds 48 Amps).

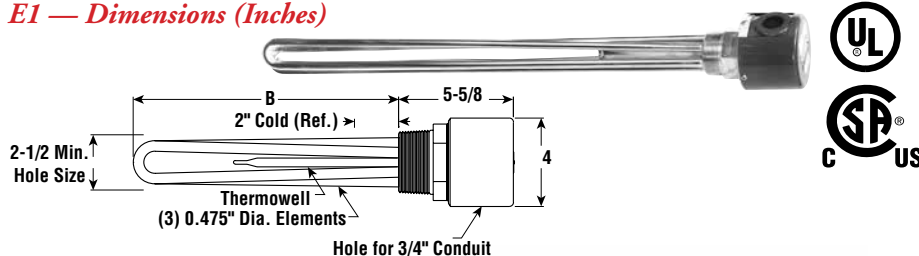
"Under the U.S. Federal Safe Drinking Water Act, it is unlawful to install or use this product in any service that comes into contact with water for human consumption (including drinking, food or beverage preparation, hand washing, or teeth brushing). This product is intended exclusively for use in non-potable service."

Immersion

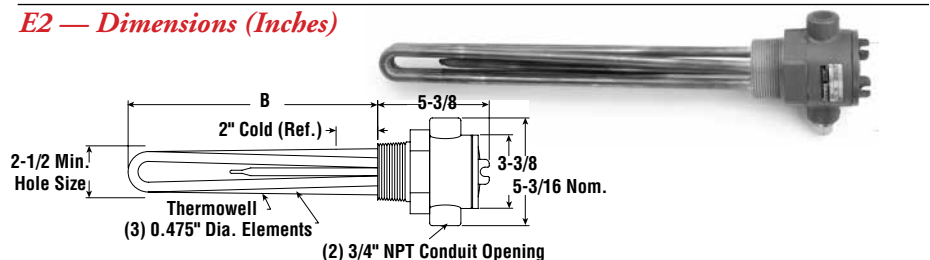
MT-3 Clean Water Applications

- 2-1/2" NPT Brass Screw Plug
- Copper Sheath Elements
- High Watt Density (46 - 53 W/in²)
- 3 - 18 kW
- Without Thermostat
- 120, 208, 240 and 480 Volt, 1 and 3 Phase
- General Purpose, Moisture Resistant/Explosion Resistant Terminal Enclosure or Moisture Resistant

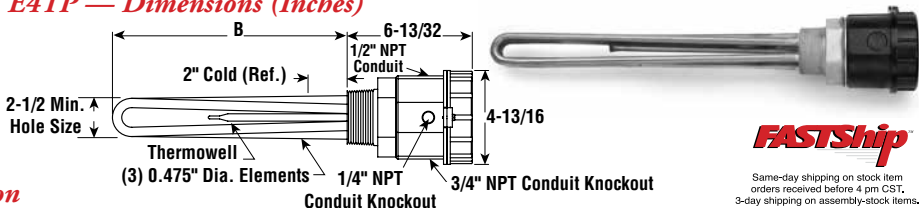
E1 — Dimensions (Inches)



E2 — Dimensions (Inches)



E4TP — Dimensions (Inches)



Specifications and Ordering Information

| | | | | | | E1 General Purpose ¹ | | | | E2 Moisture Resistant/ Explosion Resistant ² | | | | E4 Moisture Resistant | | | |
|------|-------|-------|-------------------|-----------|-------------|---------------------------------|----------|---------------|------------|--|----------|---------------|------------|-----------------------|-------|--------|------------|
| kW | Volts | Phase | W/in ² | No. Elem. | DIM B (In.) | Model | Stock | PCN | Wt. (Lbs.) | Model | Stock | PCN | Wt. (Lbs.) | Model | Stock | PCN | Wt. (Lbs.) |
| 3 | 120 | 1 | 51 | 3 | 7-3/8 | MT-330A | NS | 191396 | 5 | MT-330E2 | NS | 310800 | 8 | MT-330E4TP | NS | 063861 | 5 |
| 3 | 240 | 1 | 51 | 3 | 7-3/8 | MT-330A | NS | 191409 | 5 | MT-330E2 | NS | 288809 | 8 | MT-330E4TP | NS | 063870 | 5 |
| 3 | 480 | 1 | 51 | 3 | 7-3/8 | MT-330A | NS | 191417 | 5 | MT-330E2 | NS | 310818 | 8 | MT-330E4TP | NS | 063888 | 5 |
| 3 | 240 | 3 | 51 | 3 | 7-3/8 | MT-330A | S | 191433 | 5 | MT-330E2 | NS | 288817 | 8 | MT-330E4TP | NS | 063896 | 5 |
| 3 | 480 | 3 | 51 | 3 | 7-3/8 | MT-330A | S | 191441 | 5 | MT-330E2 | NS | 322288 | 8 | MT-330E4TP | NS | 063909 | 5 |
| 3 | 208 | 1 | 51 | 3 | 7-3/8 | MT-330A | NS | 322245 | 5 | MT-330E2 | NS | 322253 | 8 | MT-330E4TP | NS | 063917 | 5 |
| 3 | 208 | 3 | 51 | 3 | 7-3/8 | MT-330A | NS | 322261 | 5 | MT-330E2 | NS | 322270 | 8 | MT-330E4TP | NS | 063925 | 5 |
| 3.75 | 120 | 1 | 52 | 3 | 8-7/8 | MT-337A | NS | 191450 | 6 | MT-337E2 | NS | 310826 | 9 | MT-337E4TP | NS | 063933 | 6 |
| 3.75 | 240 | 1 | 52 | 3 | 8-7/8 | MT-337A | NS | 191468 | 6 | MT-337E2 | NS | 288825 | 9 | MT-337E4TP | NS | 063941 | 6 |
| 3.75 | 480 | 1 | 52 | 3 | 8-7/8 | MT-337A | NS | 191476 | 6 | MT-337E2 | NS | 310834 | 9 | MT-337E4TP | NS | 063950 | 6 |
| 3.75 | 240 | 3 | 52 | 3 | 8-7/8 | MT-337A | NS | 191492 | 6 | MT-337E2 | NS | 288833 | 9 | MT-337E4TP | NS | 063968 | 6 |
| 3.75 | 480 | 3 | 52 | 3 | 8-7/8 | MT-337A | S | 191505 | 6 | MT-337E2 | NS | 322333 | 9 | MT-337E4TP | NS | 063976 | 6 |
| 3.75 | 208 | 1 | 52 | 3 | 8-7/8 | MT-337A | NS | 322296 | 6 | MT-337E2 | NS | 322309 | 9 | MT-337E4TP | NS | 063984 | 6 |
| 3.75 | 208 | 3 | 52 | 3 | 8-7/8 | MT-337A | NS | 322317 | 6 | MT-337E2 | NS | 322325 | 9 | MT-337E4TP | NS | 063992 | 6 |
| 4.5 | 120 | 1 | 48 | 3 | 11-3/8 | MT-345A | NS | 191513 | 6 | MT-345E2 | NS | 310842 | 9 | MT-345E4TP | NS | 064004 | 6 |
| 4.5 | 240 | 1 | 48 | 3 | 11-3/8 | MT-345A | S | 191521 | 6 | MT-345E2 | NS | 288841 | 9 | MT-345E4TP | NS | 064012 | 6 |
| 4.5 | 480 | 1 | 48 | 3 | 11-3/8 | MT-345A | NS | 191530 | 6 | MT-345E2 | NS | 288868 | 9 | MT-345E4TP | NS | 064020 | 6 |
| 4.5 | 240 | 3 | 48 | 3 | 11-3/8 | MT-345A | S | 191556 | 6 | MT-345E2 | NS | 288850 | 9 | MT-345E4TP | NS | 064039 | 6 |
| 4.5 | 480 | 3 | 48 | 3 | 11-3/8 | MT-345A | S | 191564 | 6 | MT-345E2 | NS | 288876 | 9 | MT-345E4TP | NS | 064047 | 6 |
| 4.5 | 208 | 1 | 48 | 3 | 11-3/8 | MT-345A | NS | 322341 | 6 | MT-345E2 | NS | 322350 | 9 | MT-345E4TP | NS | 064055 | 6 |
| 4.5 | 208 | 3 | 48 | 3 | 11-3/8 | MT-345A | NS | 322368 | 6 | MT-345E2 | NS | 322376 | 9 | MT-345E4TP | NS | 064063 | 6 |
| 6 | 120 | 1 | 48 | 3 | 17-3/8 | MT-360A | NS | 191572 | 8 | MT-360E2 | NS | 310850 | 11 | MT-360E4TP | NS | 064071 | 8 |
| 6 | 240 | 1 | 48 | 3 | 17-3/8 | MT-360A | NS | 191580 | 8 | MT-360E2 | NS | 288884 | 11 | MT-360E4TP | NS | 064080 | 8 |
| 6 | 480 | 1 | 48 | 3 | 17-3/8 | MT-360A | NS | 191599 | 8 | MT-360E2 | NS | 288905 | 11 | MT-360E4TP | NS | 064098 | 8 |
| 6 | 240 | 3 | 48 | 3 | 17-3/8 | MT-360A | S | 191610 | 8 | MT-360E2 | NS | 288892 | 11 | MT-360E4TP | NS | 064100 | 8 |
| 6 | 480 | 3 | 48 | 3 | 17-3/8 | MT-360A | S | 191628 | 8 | MT-360E2 | NS | 322392 | 11 | MT-360E4TP | NS | 064119 | 8 |
| 6 | 208 | 1 | 48 | 3 | 17-3/8 | MT-360A | NS | 322384 | 8 | MT-360E2 | NS | 288913 | 11 | MT-360E4TP | NS | 064127 | 8 |
| 6 | 208 | 3 | 48 | 3 | 17-3/8 | MT-360A | NS | 322405 | 8 | MT-360E2 | NS | 322413 | 11 | MT-360E4TP | NS | 064135 | 8 |
| 7.5 | 240 | 1 | 53 | 3 | 19-1/8 | MT-375A | NS | 191636 | 8 | MT-375E2 | NS | 288921 | 11 | MT-375E4TP | NS | 064143 | 8 |
| 7.5 | 480 | 1 | 53 | 3 | 19-1/8 | MT-375A | NS | 191644 | 8 | MT-375E2 | NS | 288948 | 11 | MT-375E4TP | NS | 064151 | 8 |
| 7.5 | 240 | 3 | 53 | 3 | 19-1/8 | MT-375A | S | 191652 | 8 | MT-375E2 | NS | 288930 | 11 | MT-375E4TP | NS | 064160 | 8 |
| 7.5 | 480 | 3 | 53 | 3 | 19-1/8 | MT-375A | S | 191660 | 8 | MT-375E2 | NS | 288956 | 11 | MT-375E4TP | NS | 064178 | 8 |
| 7.5 | 208 | 1 | 53 | 3 | 19-1/8 | MT-375A | NS | 322421 | 8 | MT-375E2 | NS | 322430 | 11 | MT-375E4TP | NS | 064186 | 8 |
| 7.5 | 208 | 3 | 53 | 3 | 19-1/8 | MT-375A | NS | 322448 | 8 | MT-375E2 | NS | 322456 | 11 | MT-375E4TP | NS | 064194 | 8 |
| 9 | 240 | 1 | 47 | 3 | 24-1/2 | MT-390A | NS | 191679 | 12 | MT-390E2 | NS | 288964 | 15 | MT-390E4TP | NS | 064207 | 12 |
| 9 | 480 | 1 | 47 | 3 | 24-1/2 | MT-390A | NS | 191687 | 12 | MT-390E2 | NS | 288980 | 15 | MT-390E4TP | NS | 064215 | 12 |
| 9 | 240 | 3 | 47 | 3 | 24-1/2 | MT-390A | S | 191695 | 12 | MT-390E2 | NS | 288972 | 15 | MT-390E4TP | NS | 064223 | 12 |
| 9 | 480 | 3 | 47 | 3 | 24-1/2 | MT-390A | S | 191708 | 12 | MT-390E2 | S | 288999 | 15 | MT-390E4TP | NS | 064231 | 12 |
| 9 | 208 | 1 | 47 | 3 | 24-1/2 | MT-390A | NS | 322464 | 12 | MT-390E2 | NS | 322472 | 15 | MT-390E4TP | NS | 064240 | 12 |
| 9 | 208 | 3 | 47 | 3 | 24-1/2 | MT-390A | NS | 322480 | 12 | MT-390E2 | NS | 322499 | 15 | MT-390E4TP | NS | 064258 | 12 |

¹Under the U.S. Federal Safe Drinking Water Act, it is unlawful to install or use this product in any service that comes into contact with water for human consumption (including drinking, food or beverage preparation, hand washing, or teeth brushing). This product is intended exclusively for use in non-potable service.

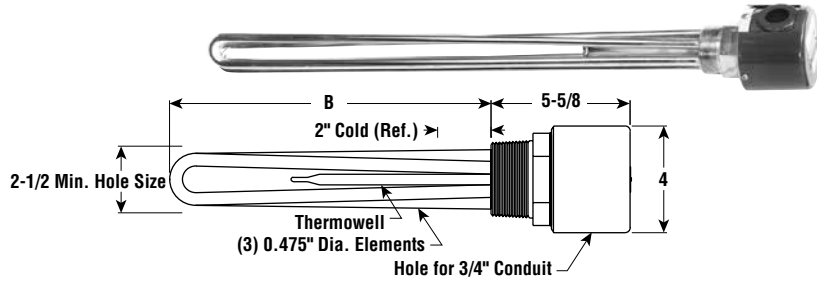
Immersion

MT-3

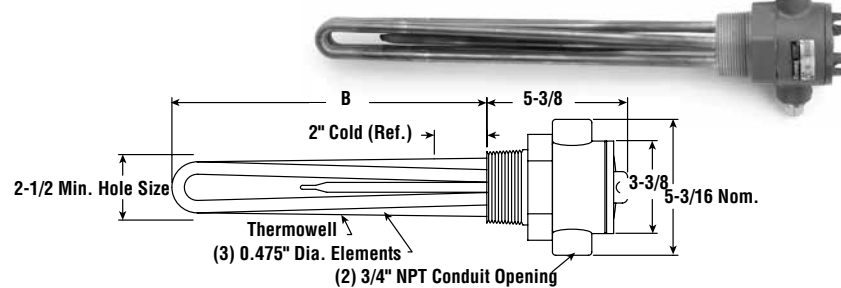
Clean Water Applications (cont'd.)

- 2-1/2" NPT Brass Screw Plug
- Copper Sheath Elements
- High Watt Density (46 - 53 W/in²)
- 3 - 18 kW
- Without Thermostat
- 120, 208 and 480 Volt, 1 and 3 Phase
- General Purpose, Moisture Resistant/Explosion Resistant Terminal Enclosure or Moisture Resistant

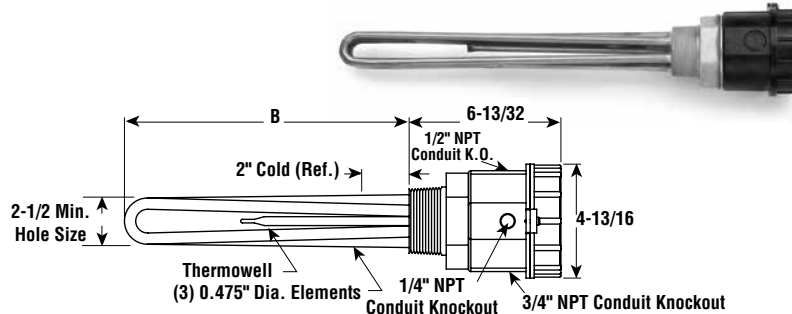
E1 — Dimensions (Inches)



E2 — Dimensions (Inches)



E4TP — Dimensions (Inches)



Specifications and Ordering Information

| | | | | | | E1 General Purpose ¹ | | | | E2 Moisture Resistant/Explosion Resistant ² | | | | E4 Moisture Resistant | | | |
|----|-------|-------|-------------------|-----------|--------------|---------------------------------|-------|--------|------------|--|-------|--------|------------|-----------------------|-------|--------|------------|
| kW | Volts | Phase | W/in ² | No. Elem. | DIM. B (In.) | Model | Stock | PCN | Wt. (Lbs.) | Model | Stock | PCN | Wt. (Lbs.) | Model | Stock | PCN | Wt. (Lbs.) |
| 12 | 208 | 1 | 46 | 3 | 32-5/16 | MT-3120A | NS | 322501 | 13 | MT-3120E2 | NS | 322510 | 16 | MT-3120E4TP | NS | 063693 | 13 |
| 12 | 208 | 3 | 46 | 3 | 32-5/16 | MT-3120A | NS | 322528 | 13 | MT-3120E2 | NS | 322536 | 16 | MT-3120E4TP | NS | 063706 | 13 |
| 12 | 240 | 1 | 46 | 3 | 32-5/16 | MT-3120A | NS | 322544 | 13 | MT-3120E2 | NS | 322552 | 16 | MT-3120E4TP | NS | 063714 | 13 |
| 12 | 240 | 3 | 46 | 3 | 32-5/16 | MT-3120A | NS | 322560 | 13 | MT-3120E2 | NS | 322579 | 16 | MT-3120E4TP | NS | 063722 | 13 |
| 12 | 480 | 1 | 46 | 3 | 32-5/16 | MT-3120A | NS | 322587 | 13 | MT-3120E2 | NS | 322595 | 16 | MT-3120E4TP | NS | 063730 | 13 |
| 12 | 480 | 3 | 46 | 3 | 32-5/16 | MT-3120A | NS | 322608 | 13 | MT-3120E2 | NS | 322616 | 16 | MT-3120E4TP | NS | 063749 | 13 |
| 15 | 208 | 1 | 46 | 3 | 39-3/4 | MT-3150A | NS | 322624 | 14 | MT-3150E2 | NS | 322632 | 17 | MT-3150E4TP | NS | 063757 | 14 |
| 15 | 208 | 3 | 46 | 3 | 39-3/4 | MT-3150A | NS | 322640 | 14 | MT-3150E2 | NS | 322659 | 17 | MT-3150E4TP | NS | 063765 | 14 |
| 15 | 240 | 1 | 46 | 3 | 39-3/4 | MT-3150A | NS | 322667 | 14 | MT-3150E2 | NS | 322675 | 17 | MT-3150E4TP | NS | 063773 | 14 |
| 15 | 240 | 3 | 46 | 3 | 39-3/4 | MT-3150A | NS | 322683 | 14 | MT-3150E2 | NS | 322691 | 17 | MT-3150E4TP | NS | 063781 | 14 |
| 15 | 480 | 1 | 46 | 3 | 39-3/4 | MT-3150A | NS | 322704 | 14 | MT-3150E2 | NS | 322712 | 17 | MT-3150E4TP | NS | 063790 | 14 |
| 15 | 480 | 3 | 46 | 3 | 39-3/4 | MT-3150A | NS | 322720 | 14 | MT-3150E2 | NS | 322739 | 17 | MT-3150E4TP | NS | 063802 | 14 |
| 18 | 208 | 3 | 46 | 3 | 47-1/4 | MT-3180A | NS | 322747 | 15 | MT-3180E2 | NS | 322755 | 18 | MT-3180E4TP | NS | 063810 | 15 |
| 18 | 240 | 1 | 46 | 3 | 47-1/4 | MT-3180A | NS | 322763 | 15 | MT-3180E2 | NS | 322771 | 18 | MT-3180E4TP | NS | 063829 | 15 |
| 18 | 240 | 3 | 46 | 3 | 47-1/4 | MT-3180A | NS | 322780 | 15 | MT-3180E2 | NS | 322798 | 18 | MT-3180E4TP | NS | 063837 | 15 |
| 18 | 480 | 1 | 46 | 3 | 47-1/4 | MT-3180A | NS | 322800 | 15 | MT-3180E2 | NS | 322819 | 18 | MT-3180E4TP | NS | 063845 | 15 |
| 18 | 480 | 3 | 46 | 3 | 47-1/4 | MT-3180A | NS | 322827 | 15 | MT-3180E2 | NS | 322835 | 18 | MT-3180E4TP | NS | 063853 | 15 |

Specify model, volts, phase, kW, PCN and quantity.

1. Heaters with General Purpose Enclosures are UL Listed and CSA Certified.
2. Heaters with Moisture Resistant/Explosion Resistant Enclosures are CSA NRTL/C Certified.
3. Not UL Listed, CSA Certified or cCSA_{US}® Certified (Exceeds 48 Amps).



Same-day shipping on stock item orders received before 4 pm CST. 3-day shipping on assembly-stock items.

"Under the U.S. Federal Safe Drinking Water Act, it is unlawful to install or use this product in any service that comes into contact with water for human consumption (including drinking, food or beverage preparation, hand washing, or teeth brushing). This product is intended exclusively for use in non-potable service."

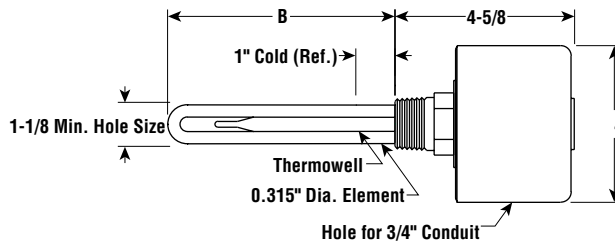
Immersion

ARMTS Process Water Applications

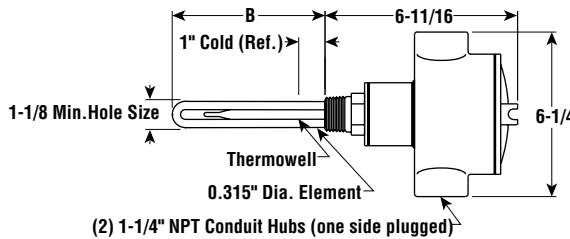
- 1" NPT Stainless Steel Passivated Screw Plug
- Stainless Steel Passivated Element
- High Watt Density (64 - 86 W/in²)
- 0.75 - 3 kW
- Integral Thermostat (SPST)
- 120 and 240 Volt, Single Phase
- General Purpose or Moisture Resistant/Explosion Resistant Terminal Enclosure



E1 — Dimensions (Inches)



E2 — Dimensions (Inches)



Specifications and Ordering Information

| kW | Volts | Phase | W/in ² | No. Elem. | DIM B (In.) | Wt. (Lbs.) | T4 — Temperature (60 - 187°F) | | | T5 — Temperature (60 - 240°F) | | | T8 — Temperature (0 - 127°F) | | |
|--|-------|-------|-------------------|-----------|-------------|------------|-------------------------------|----------|---------------|-------------------------------|-------|--------|------------------------------|-------|--------|
| | | | | | | | Model | Stock | PCN | Model | Stock | PCN | Model | Stock | PCN |
| E1 General Purpose¹ | | | | | | | | | | | | | | | |
| 0.75 | 120 | 1 | 64 | 1 | 6-5/16 | 2 | ARMTS-750T4 | NS | 289019 | ARMTS-750T5 | NS | 319206 | ARMTS-750T8 | NS | 319214 |
| 0.75 | 240 | 1 | 64 | 1 | 6-5/16 | 2 | ARMTS-750T4 | NS | 289027 | ARMTS-750T5 | NS | 319249 | ARMTS-750T8 | NS | 319257 |
| 1 | 120 | 1 | 85 | 1 | 6-5/16 | 2 | ARMTS-1000T4 | S | 289035 | ARMTS-1000T5 | NS | 319281 | ARMTS-1000T8 | NS | 319290 |
| 1 | 240 | 1 | 85 | 1 | 6-5/16 | 2 | ARMTS-1000T4 | S | 289043 | ARMTS-1000T5 | NS | 319329 | ARMTS-1000T8 | NS | 319337 |
| 1.25 | 120 | 1 | 83 | 1 | 8-1/16 | 3 | ARMTS-1250T4 | NS | 292592 | ARMTS-1250T5 | NS | 319361 | ARMTS-1250T8 | NS | 319370 |
| 1.25 | 240 | 1 | 83 | 1 | 8-1/16 | 3 | ARMTS-1250T4 | NS | 292605 | ARMTS-1250T5 | NS | 319409 | ARMTS-1250T8 | NS | 319417 |
| 1.5 | 120 | 1 | 86 | 1 | 9-1/4 | 3 | ARMTS-1500T4 | S | 289051 | ARMTS-1500T5 | NS | 319441 | ARMTS-1500T8 | NS | 319450 |
| 1.5 | 240 | 1 | 86 | 1 | 9-1/4 | 3 | ARMTS-1500T4 | S | 289060 | ARMTS-1500T5 | NS | 319484 | ARMTS-1500T8 | NS | 319492 |
| 2 | 120 | 1 | 83 | 1 | 12-1/4 | 3 | ARMTS-2000T4 | NS | 292613 | ARMTS-2000T5 | NS | 319521 | ARMTS-2000T8 | NS | 319530 |
| 2 | 240 | 1 | 83 | 1 | 12-1/4 | 3 | ARMTS-2000T4 | S | 289078 | ARMTS-2000T5 | NS | 319564 | ARMTS-2000T8 | NS | 319572 |
| 2.5 | 120 | 1 | 79 | 1 | 16-1/4 | 3 | ARMTS-2500T4 | NS | 292621 | ARMTS-2500T5 | NS | 319601 | ARMTS-2500T8 | NS | 319610 |
| 2.5 | 240 | 1 | 79 | 1 | 16-1/4 | 3 | ARMTS-2500T4 | NS | 292630 | ARMTS-2500T5 | NS | 319644 | ARMTS-2500T8 | NS | 319652 |
| 3 | 240 | 1 | 78 | 1 | 19-7/8 | 3 | ARMTS-3000T4 | S | 289086 | ARMTS-3000T5 | NS | 319687 | ARMTS-3000T8 | NS | 319695 |
| E2 Moisture Resistant/Explosion Resistant² | | | | | | | | | | | | | | | |
| 0.75 | 120 | 1 | 64 | 1 | 6-5/16 | 5 | ARMTS-750E2T4 | NS | 292648 | ARMTS-750E2T5 | NS | 319222 | ARMTS-750E2T8 | NS | 319230 |
| 0.75 | 240 | 1 | 64 | 1 | 6-5/16 | 5 | ARMTS-750E2T4 | NS | 292656 | ARMTS-750E2T5 | NS | 319265 | ARMTS-750E2T8 | NS | 319273 |
| 1 | 120 | 1 | 85 | 1 | 6-5/16 | 5 | ARMTS-1000E2T4 | NS | 292664 | ARMTS-1000E2T5 | NS | 319302 | ARMTS-1000E2T8 | NS | 319310 |
| 1 | 240 | 1 | 85 | 1 | 6-5/16 | 5 | ARMTS-1000E2T4 | NS | 292672 | ARMTS-1000E2T5 | NS | 319345 | ARMTS-1000E2T8 | NS | 319353 |
| 1.25 | 120 | 1 | 83 | 1 | 8-1/16 | 6 | ARMTS-1250E2T4 | NS | 292680 | ARMTS-1250E2T5 | NS | 319388 | ARMTS-1250E2T8 | NS | 319396 |
| 1.25 | 240 | 1 | 83 | 1 | 8-1/16 | 6 | ARMTS-1250E2T4 | NS | 292699 | ARMTS-1250E2T5 | NS | 319425 | ARMTS-1250E2T8 | NS | 319433 |
| 1.5 | 120 | 1 | 86 | 1 | 9-1/4 | 6 | ARMTS-1500E2T4 | NS | 292701 | ARMTS-1500E2T5 | NS | 319468 | ARMTS-1500E2T8 | NS | 319476 |
| 1.5 | 240 | 1 | 86 | 1 | 9-1/4 | 6 | ARMTS-1500E2T4 | NS | 292710 | ARMTS-1500E2T5 | NS | 319505 | ARMTS-1500E2T8 | NS | 319513 |
| 2 | 120 | 1 | 83 | 1 | 12-1/4 | 6 | ARMTS-2000E2T4 | NS | 292728 | ARMTS-2000E2T5 | NS | 319548 | ARMTS-2000E2T8 | NS | 319556 |
| 2 | 240 | 1 | 83 | 1 | 12-1/4 | 6 | ARMTS-2000E2T4 | NS | 292736 | ARMTS-2000E2T5 | NS | 319582 | ARMTS-2000E2T8 | NS | 319599 |
| 2.5 | 120 | 1 | 79 | 1 | 16-1/4 | 6 | ARMTS-2500E2T4 | NS | 292744 | ARMTS-2500E2T5 | NS | 319628 | ARMTS-2500E2T8 | NS | 319636 |
| 2.5 | 240 | 1 | 79 | 1 | 16-1/4 | 6 | ARMTS-2500E2T4 | NS | 292752 | ARMTS-2500E2T5 | NS | 319660 | ARMTS-2500E2T8 | NS | 319679 |
| 3 | 240 | 1 | 78 | 1 | 19-7/8 | 6 | ARMTS-3000E2T4 | NS | 292760 | ARMTS-3000E2T5 | NS | 319708 | ARMTS-3000E2T8 | NS | 319716 |

Stock Status: S = stock NS = non-stock
To Order—Specify model, volts, phase, kW, PCN and quantity.

1. Heaters with General Purpose Enclosures are UL Listed and CSA Certified.
2. Heaters with Moisture Resistant/Explosion Resistant Enclosures are cCSA_{US} Certified.

FASTShip

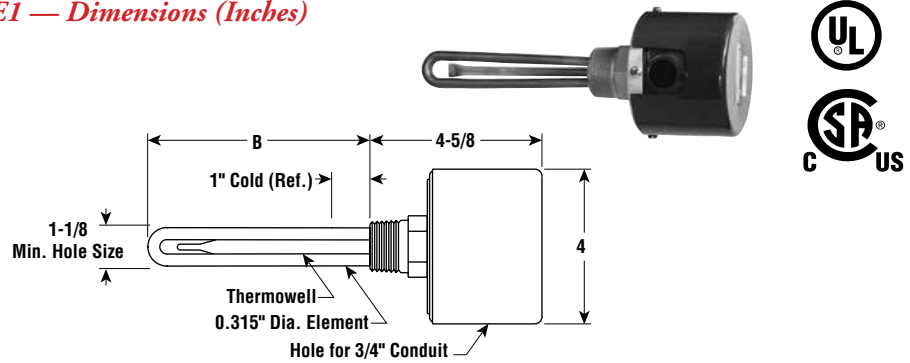
Same-day shipping on stock item orders received before 4 pm CST. 3-day shipping on assembly-stock items.

Immersion

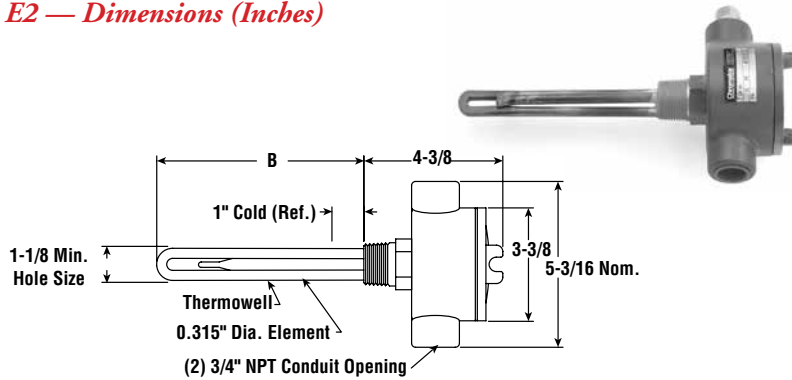
MTS Process Water Applications

- 1" NPT Stainless Steel Passivated Screw Plug
- Stainless Steel Passivated Element
- High Watt Density (64 - 86 W/in²)
- 0.75 - 3 kW
- Without Thermostat
- 120 and 240 Volt, Single Phase
- General Purpose, Moisture Resistant/Explosion Resistant Terminal Enclosure or Moisture Resistant

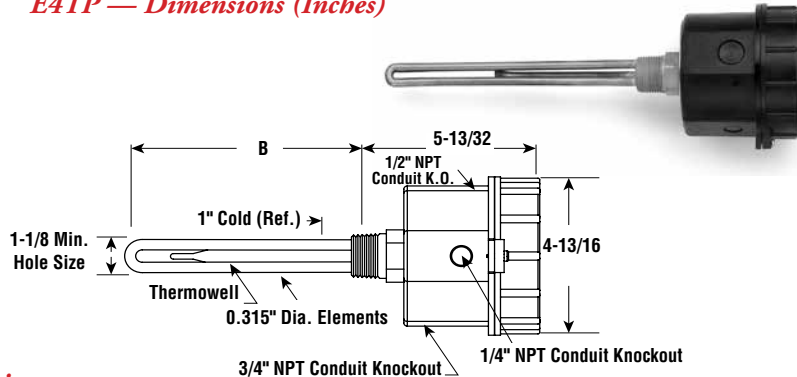
E1 — Dimensions (Inches)



E2 — Dimensions (Inches)



E4TP — Dimensions (Inches)



Specifications and Ordering Information

| | | | | | | E1 General Purpose ¹ | | | | E2 Moisture Resistant/ Explosion Resistant ² | | | | E4 Moisture Resistant | | | |
|------|-------|-------|-------------------|-----------|-------------|---------------------------------|-------|--------|------------|--|-------|--------|------------|-----------------------|-------|--------|------------|
| kW | Volts | Phase | W/in ² | No. Elem. | DIM B (In.) | Model | Stock | PCN | Wt. (Lbs.) | Model | Stock | PCN | Wt. (Lbs.) | Model | Stock | PCN | Wt. (Lbs.) |
| 0.75 | 120 | 1 | 64 | 1 | 6-5/16 | MTS-750 | NS | 037049 | 2 | MTS-750E2 | NS | 037188 | 5 | MTS-750E4TP | NS | 060230 | 2 |
| 0.75 | 240 | 1 | 64 | 1 | 6-5/16 | MTS-750 | NS | 037057 | 2 | MTS-750E2 | NS | 037196 | 5 | MTS-750E4TP | NS | 060249 | 2 |
| 1 | 120 | 1 | 85 | 1 | 6-5/16 | MTS-1000 | NS | 037065 | 2 | MTS-1000E2 | NS | 037209 | 5 | MTS-1000E4TP | NS | 060257 | 2 |
| 1 | 240 | 1 | 85 | 1 | 6-5/16 | MTS-1000 | NS | 037073 | 2 | MTS-1000E2 | NS | 037217 | 5 | MTS-1000E4TP | NS | 060265 | 2 |
| 1.25 | 120 | 1 | 83 | 1 | 8-1/16 | MTS-1250 | NS | 037081 | 2 | MTS-1250E2 | NS | 037225 | 5 | MTS-1250E4TP | NS | 060273 | 2 |
| 1.25 | 240 | 1 | 83 | 1 | 8-1/16 | MTS-1250 | NS | 037090 | 2 | MTS-1250E2 | NS | 037233 | 5 | MTS-1250E4TP | NS | 060281 | 2 |
| 1.5 | 120 | 1 | 86 | 1 | 9-1/4 | MTS-1500 | NS | 037102 | 2 | MTS-1500E2 | NS | 037241 | 5 | MTS-1500E4TP | NS | 060290 | 2 |
| 1.5 | 240 | 1 | 86 | 1 | 9-1/4 | MTS-1500 | NS | 037110 | 2 | MTS-1500E2 | NS | 037250 | 5 | MTS-1500E4TP | NS | 060302 | 2 |
| 2 | 120 | 1 | 83 | 1 | 12-1/4 | MTS-2000 | NS | 037129 | 2 | MTS-2000E2 | NS | 037268 | 5 | MTS-2000E4TP | NS | 060310 | 2 |
| 2 | 240 | 1 | 83 | 1 | 12-1/4 | MTS-2000 | NS | 037137 | 2 | MTS-2000E2 | NS | 037276 | 5 | MTS-2000E4TP | NS | 060329 | 2 |
| 2.5 | 120 | 1 | 79 | 1 | 16-1/4 | MTS-2500 | NS | 037145 | 2 | MTS-2500E2 | NS | 037284 | 5 | MTS-2500E4TP | NS | 060337 | 2 |
| 2.5 | 240 | 1 | 79 | 1 | 16-1/4 | MTS-2500 | NS | 037153 | 2 | MTS-2500E2 | NS | 037292 | 5 | MTS-2500E4TP | NS | 060345 | 2 |
| 3 | 120 | 1 | 78 | 1 | 19-7/8 | MTS-3000 | NS | 037161 | 3 | MTS-3000E2 | NS | 037305 | 6 | MTS-3000E4TP | NS | 060353 | 3 |
| 3 | 240 | 1 | 78 | 1 | 19-7/8 | MTS-3000 | NS | 037170 | 3 | MTS-3000E2 | NS | 037313 | 6 | MTS-3000E4TP | NS | 060361 | 3 |

Stock Status: S = stock NS = non-stock
To Order—Specify model, volts, phase, kW, PCN and quantity.



1. Heaters with General Purpose Enclosures are UL Listed and CSA Certified.
2. Heaters with Moisture Resistant/Explosion Resistant Enclosures are cCSA_{US}® Certified.

Same-day shipping on stock item orders received before 4 pm CST.
3-day shipping on assembly-stock items.

ARMTS-1 Process Water Applications

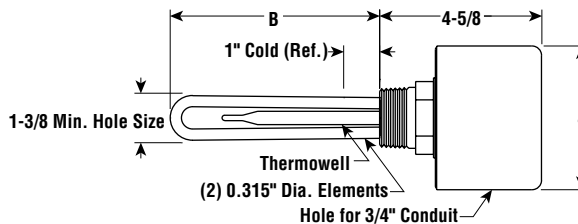
- 1-1/4" NPT Stainless Steel Passivated Screw Plug
- Stainless Steel Passivated Elements
- High Watt Density (43 - 86 W/in²)
- 1 - 2 kW
- Integral Thermostat (SPST)
- 120 and 240 Volt, Single Phase
- General Purpose or Moisture Resistant/Explosion Resistant Terminal Enclosure



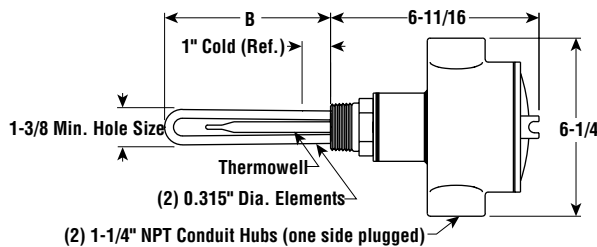
SCREW PLUG



E1 — Dimensions (Inches)



E2 — Dimensions (Inches)



Specifications and Ordering Information

| | | | | | | T4 — Temperature (60 - 187°F) | | | T5 — Temperature (60 - 240°F) | | | T8 — Temperature (0 - 127°F) | | | |
|--|-------|-------|-------------------|-----------|-------------|-------------------------------|-----------------|-------|-------------------------------|-----------------|-------|------------------------------|-----------------|-------|--------|
| kW | Volts | Phase | W/in ² | No. Elem. | DIM B (In.) | Wt. (Lbs.) | Model | Stock | PCN | Model | Stock | PCN | Model | Stock | PCN |
| E1 General Purpose¹ | | | | | | | | | | | | | | | |
| 1 | 120 | 1 | 43 | 2 | 6-1/8 | 5 | ARMTS-110-3T4 | NS | 037321 | ARMTS-110-3T5 | NS | 037401 | ARMTS-110-3T8 | NS | 037487 |
| 1 | 240 | 1 | 43 | 2 | 6-1/8 | 5 | ARMTS-110-3T4 | NS | 037330 | ARMTS-110-3T5 | NS | 037410 | ARMTS-110-3T8 | NS | 037495 |
| 1.2 | 120 | 1 | 53 | 2 | 6-1/8 | 5 | ARMTS-112T4 | NS | 037348 | ARMTS-112T5 | NS | 037428 | ARMTS-112T8 | NS | 037508 |
| 1.2 | 240 | 1 | 53 | 2 | 6-1/8 | 5 | ARMTS-112T4 | NS | 037356 | ARMTS-112T5 | NS | 037436 | ARMTS-112T8 | NS | 037516 |
| 1.5 | 120 | 1 | 65 | 2 | 6-1/8 | 5 | ARMTS-115T4 | NS | 037364 | ARMTS-115T5 | NS | 037444 | ARMTS-115T8 | NS | 037524 |
| 1.5 | 240 | 1 | 65 | 2 | 6-1/8 | 5 | ARMTS-115T4 | NS | 037372 | ARMTS-115T5 | NS | 037452 | ARMTS-115T8 | NS | 037532 |
| 2 | 120 | 1 | 86 | 2 | 6-1/8 | 5 | ARMTS-120T4 | NS | 037380 | ARMTS-120T5 | NS | 037460 | ARMTS-120T8 | NS | 037540 |
| 2 | 240 | 1 | 86 | 2 | 6-1/8 | 5 | ARMTS-120T4 | NS | 037399 | ARMTS-120T5 | NS | 037479 | ARMTS-120T8 | NS | 037559 |
| E2 Moisture Resistant/Explosion Resistant² | | | | | | | | | | | | | | | |
| 1 | 120 | 1 | 43 | 2 | 6-1/8 | 8 | ARMTS-110-3E2T4 | NS | 037567 | ARMTS-110-3E2T5 | NS | 037647 | ARMTS-110-3E2T8 | NS | 037727 |
| 1 | 240 | 1 | 43 | 2 | 6-1/8 | 8 | ARMTS-110-3E2T4 | NS | 037575 | ARMTS-110-3E2T5 | NS | 037655 | ARMTS-110-3E2T8 | NS | 037735 |
| 1.2 | 120 | 1 | 53 | 2 | 6-1/8 | 8 | ARMTS-112E2T4 | NS | 037583 | ARMTS-112E2T5 | NS | 037663 | ARMTS-112E2T8 | NS | 037743 |
| 1.2 | 240 | 1 | 53 | 2 | 6-1/8 | 8 | ARMTS-112E2T4 | NS | 037591 | ARMTS-112E2T5 | NS | 037671 | ARMTS-112E2T8 | NS | 037751 |
| 1.5 | 120 | 1 | 65 | 2 | 6-1/8 | 8 | ARMTS-115E2T4 | NS | 037604 | ARMTS-115E2T5 | NS | 037680 | ARMTS-115E2T8 | NS | 037760 |
| 1.5 | 240 | 1 | 65 | 2 | 6-1/8 | 8 | ARMTS-115E2T4 | NS | 037612 | ARMTS-115E2T5 | NS | 037698 | ARMTS-115E2T8 | NS | 037778 |
| 2 | 120 | 1 | 86 | 2 | 6-1/8 | 8 | ARMTS-120E2T4 | NS | 037620 | ARMTS-120E2T5 | NS | 037700 | ARMTS-120E2T8 | NS | 037786 |
| 2 | 240 | 1 | 86 | 2 | 6-1/8 | 8 | ARMTS-120E2T4 | NS | 037639 | ARMTS-120E2T5 | NS | 037719 | ARMTS-120E2T8 | NS | 037794 |

Stock Status: S = stock NS = non-stock
To Order—Specify model, volts, phase, kW, PCN and quantity.

1. Heaters with General Purpose Enclosures are UL Listed and CSA Certified.
2. Heaters with Moisture Resistant/Explosion Resistant Enclosures are cCSA^{US} Certified.

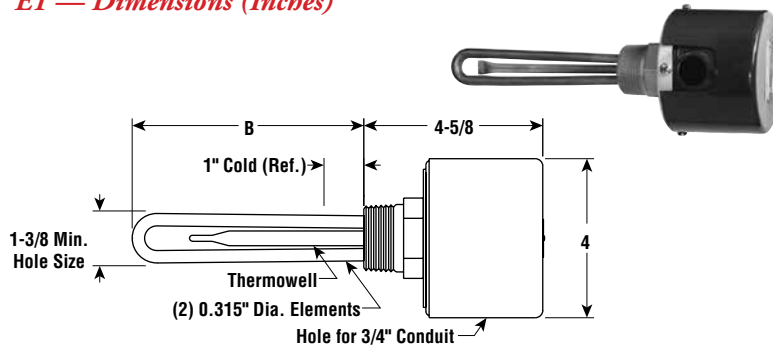


Same-day shipping on stock item orders received before 4 pm CST.
 3-day shipping on assembly-stock items.

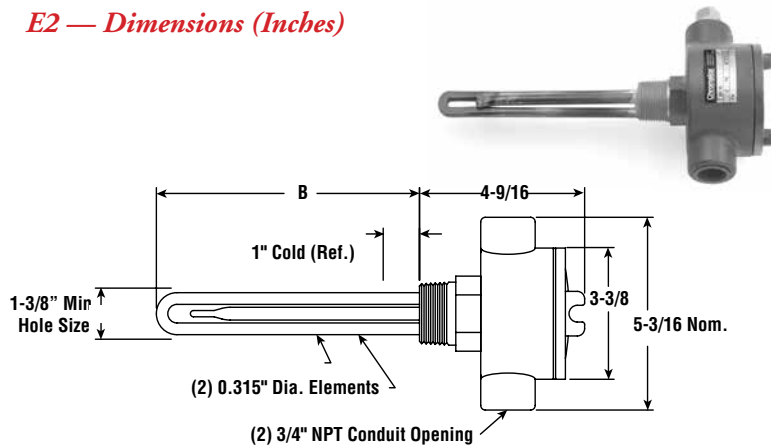
MTS-1 Process Water Applications

- 1-1/4" NPT Stainless Steel Passivated Screw Plug
- Stainless Steel Passivated Elements
- High Watt Density (43 - 86 W/In²)
- 1 - 2 kW
- Without Thermostat
- 120 and 240 Volt, Single Phase
- General Purpose, Moisture Resistant/Explosion Resistant Terminal Enclosure or Moisture Resistant

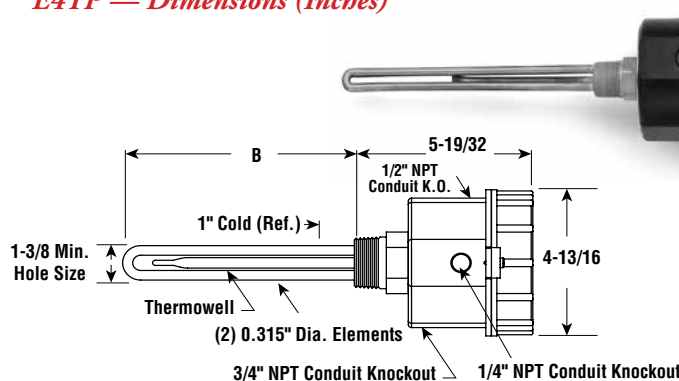
E1 — Dimensions (Inches)



E2 — Dimensions (Inches)



E4TP — Dimensions (Inches)



Specifications and Ordering Information

| | | | | | | E1 General Purpose ¹ | | | | E2 Moisture Resistant/ Explosion Resistant ² | | | | E4 Moisture Resistant | | | |
|-----|-------|-------|-------------------|-----------|-------------|---------------------------------|-------|--------|------------|--|-------|--------|------------|-----------------------|-------|--------|------------|
| kW | Volts | Phase | W/In ² | No. Elem. | DIM B (In.) | Model | Stock | PCN | Wt. (Lbs.) | Model | Stock | PCN | Wt. (Lbs.) | Model | Stock | PCN | Wt. (Lbs.) |
| 1 | 120 | 1 | 43 | 2 | 6-1/8 | MTS-110-3 | NS | 037807 | 2 | MTS-110-3E2 | NS | 037882 | 5 | MTS-110-3E4TP | NS | 060599 | 2 |
| 1 | 240 | 1 | 43 | 2 | 6-1/8 | MTS-110-3 | NS | 037815 | 2 | MTS-110-3E2 | NS | 037890 | 5 | MTS-110-3E4TP | NS | 060601 | 2 |
| 1.2 | 120 | 1 | 53 | 2 | 6-1/8 | MTS-112 | NS | 037823 | 2 | MTS-112E2 | NS | 037903 | 5 | MTS-112E4TP | NS | 060610 | 2 |
| 1.2 | 240 | 1 | 53 | 2 | 6-1/8 | MTS-112 | NS | 037831 | 2 | MTS-112E2 | NS | 037911 | 5 | MTS-112E4TP | NS | 060628 | 2 |
| 1.5 | 120 | 1 | 65 | 2 | 6-1/8 | MTS-115 | NS | 037840 | 2 | MTS-115E2 | NS | 037920 | 5 | MTS-115E4TP | NS | 060636 | 2 |
| 1.5 | 240 | 1 | 65 | 2 | 6-1/8 | MTS-115 | NS | 037858 | 2 | MTS-115E2 | NS | 037938 | 5 | MTS-115E4TP | NS | 060644 | 2 |
| 2 | 120 | 1 | 86 | 2 | 6-1/8 | MTS-120 | NS | 037866 | 2 | MTS-120E2 | NS | 037946 | 5 | MTS-120E4TP | NS | 060652 | 2 |
| 2 | 240 | 1 | 86 | 2 | 6-1/8 | MTS-120 | NS | 037874 | 2 | MTS-120E2 | NS | 037954 | 5 | MTS-120E4TP | NS | 060660 | 2 |

Stock Status: S = stock NS = non-stock
To Order—Specify model, volts, phase, kW, PCN and quantity.

FASTShip

Same-day shipping on stock item orders received before 4 pm CST.
3-day shipping on assembly-stock items.

1. Heaters with General Purpose Enclosures are UL Listed and CSA Certified.
2. Heaters with Moisture Resistant/Explosion Resistant Enclosures are cCSA_{US}® Certified.

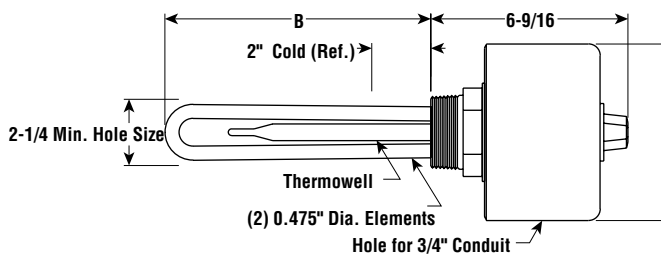


ARMTS-2 Process Water Applications



- 2" NPT Stainless Steel Passivated Screw Plug
- Stainless Steel Passivated Sheath Elements
- High Watt Density (43 - 51 W/in²)
- 2 - 15 kW
- Integral Thermostat (DPST)
- 208, 240 and 480 Volt, Single Phase
- General Purpose Terminal Enclosure

E1 — Dimensions (Inches)



SCREW PLUG

Specifications and Ordering Information

| | | | | | | | T2 — Temperature (60 - 250°F) | | | T1 — Temperature (0 - 100°F) | | |
|---------------------------|-------|-------|-------------------|-----------|-------------|------------|-------------------------------|-------|--------|------------------------------|-------|--------|
| kW | Volts | Phase | W/in ² | No. Elem. | DIM B (In.) | Wt. (Lbs.) | Model | Stock | PCN | Model | Stock | PCN |
| E1 General Purpose | | | | | | | | | | | | |
| 2 | 208 | 1 | 51 | 2 | 7-1/2 | 6 | ARMTS-2205-3T2 | NS | 187426 | ARMTS-2205-3T1 | NS | 187434 |
| 2 | 240 | 1 | 51 | 2 | 7-1/2 | 6 | ARMTS-2205-3T2 | NS | 184145 | ARMTS-2205-3T1 | NS | 184188 |
| 2 | 480 | 1 | 51 | 2 | 7-1/2 | 6 | ARMTS-2205-3T2 | NS | 184153 | ARMTS-2205-3T1 | NS | 184196 |
| 2.5 | 240 | 1 | 47 | 2 | 9 | 7 | ARMTS-2255T2 | NS | 184225 | ARMTS-2255T1 | NS | 184268 |
| 2.5 | 480 | 1 | 47 | 2 | 9 | 7 | ARMTS-2255T2 | NS | 184233 | ARMTS-2255T1 | NS | 184276 |
| 3 | 208 | 1 | 43 | 2 | 11-1/2 | 7 | ARMTS-2305T2 | NS | 187469 | ARMTS-2305T1 | NS | 187477 |
| 3 | 240 | 1 | 43 | 2 | 11-1/2 | 7 | ARMTS-2305T2 | NS | 184305 | ARMTS-2305T1 | NS | 184348 |
| 3 | 480 | 1 | 43 | 2 | 11-1/2 | 7 | ARMTS-2305T2 | NS | 184313 | ARMTS-2305T1 | NS | 184356 |
| 4 | 208 | 1 | 44 | 2 | 17-1/2 | 7 | ARMTS-2405T2 | NS | 187506 | ARMTS-2405T1 | NS | 187514 |
| 4 | 240 | 1 | 44 | 2 | 17-1/2 | 7 | ARMTS-2405T2 | NS | 184380 | ARMTS-2405T1 | NS | 184428 |
| 4 | 480 | 1 | 44 | 2 | 17-1/2 | 7 | ARMTS-2405T2 | NS | 184399 | ARMTS-2405T1 | NS | 184436 |
| 5 | 208 | 1 | 45 | 2 | 19 | 8 | ARMTS-2505T2 | NS | 187549 | ARMTS-2505T1 | NS | 187557 |
| 5 | 240 | 1 | 45 | 2 | 19 | 8 | ARMTS-2505T2 | NS | 184460 | ARMTS-2505T1 | NS | 184508 |
| 5 | 480 | 1 | 45 | 2 | 19 | 8 | ARMTS-2505T2 | NS | 184479 | ARMTS-2505T1 | NS | 184516 |
| 6 | 208 | 1 | 46 | 2 | 24-1/2 | 8 | ARMTS-2605T2 | NS | 187581 | ARMTS-2605T1 | NS | 187590 |
| 6 | 240 | 1 | 46 | 2 | 24-1/2 | 8 | ARMTS-2605T2 | NS | 184540 | ARMTS-2605T1 | NS | 184583 |
| 6 | 480 | 1 | 46 | 2 | 24-1/2 | 8 | ARMTS-2605T2 | NS | 184559 | ARMTS-2605T1 | NS | 184591 |
| 7 | 240 | 1 | 46 | 2 | 27-1/2 | 9 | ARMTS-2705T2 | NS | 184620 | ARMTS-2705T1 | NS | 184663 |
| 7 | 480 | 1 | 46 | 2 | 27-1/2 | 9 | ARMTS-2705T2 | NS | 184639 | ARMTS-2705T1 | NS | 184671 |
| 10 | 208 | 1 | 46 | 2 | 40 | 10 | ARMTS-21005T2 | NS | 187629 | ARMTS-21005T1 | NS | 187637 |
| 10 | 240 | 1 | 46 | 2 | 40 | 10 | ARMTS-21005T2 | NS | 184700 | ARMTS-21005T1 | NS | 184743 |
| 10 | 480 | 1 | 46 | 2 | 40 | 10 | ARMTS-21005T2 | NS | 184719 | ARMTS-21005T1 | NS | 184751 |
| 12 | 240 | 1 | 46 | 2 | 48 | 11 | ARMTS-21205T2 ¹ | NS | 310640 | ARMTS-21205T1 ¹ | NS | 310666 |
| 12 | 480 | 1 | 46 | 2 | 48 | 11 | ARMTS-21205T2 | NS | 310658 | ARMTS-21205T1 | NS | 310674 |
| 15 | 240 | 1 | 50 | 2 | 54 | 12 | ARMTS-21505T2 ¹ | NS | 310720 | ARMTS-21505T1 ¹ | NS | 310746 |
| 15 | 480 | 1 | 50 | 2 | 54 | 12 | ARMTS-21505T2 | NS | 310738 | ARMTS-21505T1 | NS | 310754 |

Stock Status: S = stock NS = non-stock
To Order—Specify model, volts, phase, kW, PCN and quantity.

1. Not UL Listed or CSA Certified (Exceeds 48 Amps).



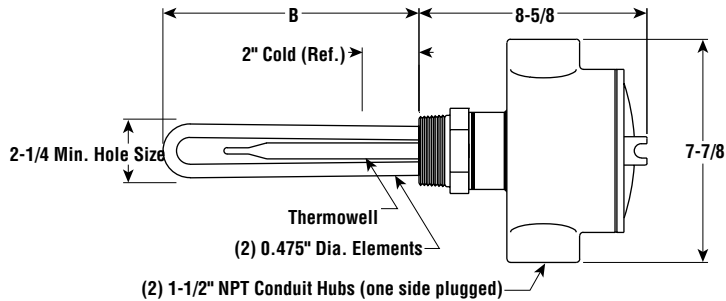
Same-day shipping on stock item orders received before 4 pm CST.
 3-day shipping on assembly-stock items.

ARMTS-2 Process Water Applications *(cont'd.)*



- 2" NPT Stainless Steel Passivated Screw Plug
- Stainless Steel Passivated Sheath Elements
- High Watt Density (43 - 51 W/in²)
- 2 - 15 kW
- Integral Thermostat (DPST)
- 208, 240 and 480 Volt, Single Phase
- Moisture Resistant/Explosion Resistant Terminal Enclosure

E2 — Dimensions (Inches)



Specifications and Ordering Information

| | | | | | | | T2 — Temperature (60 - 250°F) | | | T1 — Temperature (0 - 100°F) | | |
|--|-------|-------|-------------------|-------|-------------|------------|-------------------------------|-------|--------|------------------------------|-------|--------|
| kW | Volts | Phase | W/in ² | Elem. | DIM B (In.) | Wt. (Lbs.) | Model | Stock | PCN | Model | Stock | PCN |
| E2 Moisture Resistant/Explosion Resistant | | | | | | | | | | | | |
| 2 | 208 | 1 | 51 | 2 | 7-1/2 | 12 | ARMTS-2205-3E2T2 | NS | 187442 | ARMTS-2205-3E2T1 | NS | 187450 |
| 2 | 240 | 1 | 51 | 2 | 7-1/2 | 12 | ARMTS-2205-3E2T2 | NS | 184161 | ARMTS-2205-3E2T1 | NS | 184209 |
| 2 | 480 | 1 | 51 | 2 | 7-1/2 | 12 | ARMTS-2205-3E2T2 | NS | 184170 | ARMTS-2205-3E2T1 | NS | 184217 |
| 2.5 | 240 | 1 | 47 | 2 | 9 | 13 | ARMTS-2255E2T2 | NS | 184241 | ARMTS-2255E2T1 | NS | 184284 |
| 2.5 | 480 | 1 | 47 | 2 | 9 | 13 | ARMTS-2255E2T2 | NS | 184250 | ARMTS-2255E2T1 | NS | 184292 |
| 3 | 208 | 1 | 43 | 2 | 11-1/2 | 13 | ARMTS-2305E2T2 | NS | 187485 | ARMTS-2305E2T1 | NS | 187493 |
| 3 | 240 | 1 | 43 | 2 | 11-1/2 | 13 | ARMTS-2305E2T2 | NS | 184321 | ARMTS-2305E2T1 | NS | 184364 |
| 3 | 480 | 1 | 43 | 2 | 11-1/2 | 13 | ARMTS-2305E2T2 | NS | 184330 | ARMTS-2305E2T1 | NS | 184372 |
| 4 | 208 | 1 | 44 | 2 | 17-1/2 | 13 | ARMTS-2405E2T2 | NS | 187522 | ARMTS-2405E2T1 | NS | 187530 |
| 4 | 240 | 1 | 44 | 2 | 17-1/2 | 13 | ARMTS-2405E2T2 | NS | 184401 | ARMTS-2405E2T1 | NS | 184444 |
| 4 | 480 | 1 | 44 | 2 | 17-1/2 | 13 | ARMTS-2405E2T2 | NS | 184410 | ARMTS-2405E2T1 | NS | 184452 |
| 5 | 208 | 1 | 45 | 2 | 19 | 14 | ARMTS-2505E2T2 | NS | 187565 | ARMTS-2505E2T1 | NS | 187573 |
| 5 | 240 | 1 | 45 | 2 | 19 | 14 | ARMTS-2505E2T2 | NS | 184487 | ARMTS-2505E2T1 | NS | 184524 |
| 5 | 480 | 1 | 45 | 2 | 19 | 14 | ARMTS-2505E2T2 | NS | 184495 | ARMTS-2505E2T1 | NS | 184532 |
| 6 | 208 | 1 | 46 | 2 | 24-1/2 | 14 | ARMTS-2605E2T2 | NS | 187602 | ARMTS-2605E2T1 | NS | 187610 |
| 6 | 240 | 1 | 46 | 2 | 24-1/2 | 14 | ARMTS-2605E2T2 | NS | 184567 | ARMTS-2605E2T1 | NS | 184604 |
| 6 | 480 | 1 | 46 | 2 | 24-1/2 | 14 | ARMTS-2605E2T2 | NS | 184575 | ARMTS-2605E2T1 | NS | 184612 |
| 7 | 240 | 1 | 46 | 2 | 27-1/2 | 15 | ARMTS-2705E2T2 | NS | 184647 | ARMTS-2705E2T1 | NS | 184680 |
| 7 | 480 | 1 | 46 | 2 | 27-1/2 | 15 | ARMTS-2705E2T2 | NS | 184655 | ARMTS-2705E2T1 | NS | 184698 |
| 10 | 208 | 1 | 46 | 2 | 40 | 16 | ARMTS-21005E2T2 | NS | 187645 | ARMTS-21005E2T1 | NS | 187653 |
| 10 | 240 | 1 | 46 | 2 | 40 | 16 | ARMTS-21005E2T2 | NS | 184727 | ARMTS-21005E2T1 | NS | 184760 |
| 10 | 480 | 1 | 46 | 2 | 40 | 16 | ARMTS-21005E2T2 | NS | 184735 | ARMTS-21005E2T1 | NS | 184778 |
| 12 | 240 | 1 | 46 | 2 | 48 | 17 | ARMTS-21205E2T2 ¹ | NS | 310682 | ARMTS-21205E2T1 ¹ | NS | 310703 |
| 12 | 480 | 1 | 46 | 2 | 48 | 17 | ARMTS-21205E2T2 | NS | 310690 | ARMTS-21205E2T1 | NS | 310711 |
| 15 | 240 | 1 | 50 | 2 | 54 | 18 | ARMTS-21505E2T2 ¹ | NS | 310762 | ARMTS-21505E2T1 ¹ | NS | 310789 |
| 15 | 480 | 1 | 50 | 2 | 54 | 18 | ARMTS-21505E2T2 | NS | 310770 | ARMTS-21505E2T1 | NS | 310797 |

Stock Status: S = stock NS = non-stock
To Order—Specify model, volts, phase, kW, PCN and quantity.

1. Not CSA NRTL/C Certified (Exceeds 48 Amps).



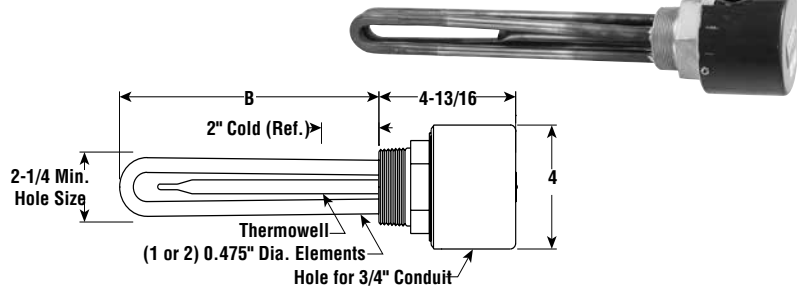
Same-day shipping on stock item orders received before 4 pm CST.
 3-day shipping on assembly-stock items.

Immersion

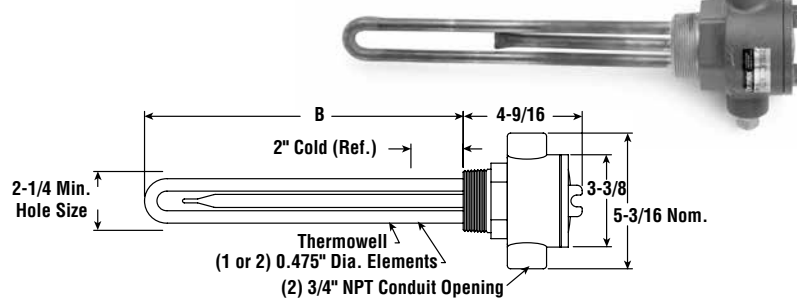
MTS-2 Process Water Applications

- 2" NPT Stainless Steel Passivated Screw Plug
- Stainless Steel Passivated Sheath Elements
- High Watt Density (43 - 51 W/in²)
- 1.5 - 15 kW
- Without Thermostat
- 120, 208, 240 and 480 Volt, Single Phase
- General Purpose, Moisture Resistant/Explosion Resistant Terminal Enclosure or Moisture Resistant

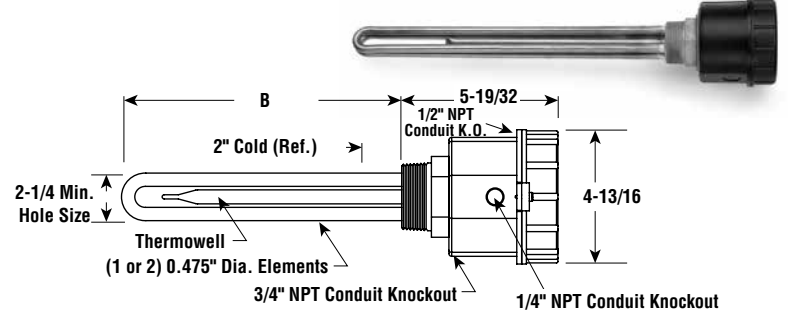
E1 — Dimensions (Inches)



E2 — Dimensions (Inches)



E4TP — Dimensions (Inches)



SCREW PLUG



Same-day shipping on stock item orders received before 4 pm CST.
3-day shipping on assembly-stock items.

Specifications and Ordering Information

| | | | | | | E1 General Purpose ¹ | | | | E2 Moisture Resistant/Explosion Resistant ² | | | | E4 Moisture Resistant | | | |
|-----|-------|-------|-------------------|-----------|-------------|---------------------------------|-------|--------|------------|--|-------|--------|------------|-----------------------|-------|--------|------------|
| kW | Volts | Phase | W/in ² | No. Elem. | DIM B (In.) | Model | Stock | PCN | Wt. (Lbs.) | Model | Stock | PCN | Wt. (Lbs.) | Model | Stock | PCN | Wt. (Lbs.) |
| 1.5 | 120 | 1 | 48 | 1 | 11-7/16 | MTS-215A | NS | 139942 | 3 | MTS-215E2 | NS | 289502 | 6 | MTS-215E4TP | NS | 063378 | 3 |
| 1.5 | 208 | 1 | 48 | 1 | 11-7/16 | MTS-215A | NS | 186503 | 3 | MTS-215E2 | NS | 186511 | 6 | MTS-215E4TP | NS | 063407 | 3 |
| 1.5 | 240 | 1 | 48 | 1 | 11-7/16 | MTS-215A | NS | 139950 | 3 | MTS-215E2 | NS | 289510 | 6 | MTS-215E4TP | NS | 063386 | 3 |
| 1.5 | 480 | 1 | 48 | 1 | 11-7/16 | MTS-215A | NS | 139969 | 3 | MTS-215E2 | NS | 186520 | 6 | MTS-215E4TP | NS | 063394 | 3 |
| 2 | 120 | 1 | 48 | 1 | 17-1/2 | MTS-220A | NS | 139977 | 4 | MTS-220E2 | NS | 186538 | 7 | MTS-220E4TP | NS | 063423 | 4 |
| 2 | 208 | 1 | 48 | 1 | 17-1/2 | MTS-220A | NS | 186546 | 4 | MTS-220E2 | NS | 186554 | 7 | MTS-220E4TP | NS | 063415 | 4 |
| 2 | 240 | 1 | 48 | 1 | 17-1/2 | MTS-220A | NS | 139985 | 4 | MTS-220E2 | NS | 289529 | 7 | MTS-220E4TP | NS | 063431 | 4 |
| 2 | 480 | 1 | 48 | 1 | 17-1/2 | MTS-220A | NS | 139993 | 4 | MTS-220E2 | NS | 186562 | 7 | MTS-220E4TP | NS | 063440 | 4 |
| 2 | 120 | 1 | 51 | 2 | 7-1/2 | MTS-220-3A | NS | 190019 | 4 | MTS-220-3E2 | NS | 289537 | 7 | MTS-220-3E4TP | NS | 063458 | 4 |
| 2 | 208 | 1 | 51 | 2 | 7-1/2 | MTS-220-3A | NS | 186570 | 4 | MTS-220-3E2 | NS | 186589 | 7 | MTS-220-3E4TP | NS | 063482 | 4 |
| 2 | 240 | 1 | 51 | 2 | 7-1/2 | MTS-220-3A | NS | 190027 | 4 | MTS-220-3E2 | NS | 289545 | 7 | MTS-220-3E4TP | NS | 063466 | 4 |
| 2 | 480 | 1 | 51 | 2 | 7-1/2 | MTS-220-3A | NS | 190035 | 4 | MTS-220-3E2 | NS | 289553 | 7 | MTS-220-3E4TP | NS | 063474 | 4 |
| 2.5 | 120 | 1 | 47 | 2 | 9 | MTS-225A | NS | 190043 | 4 | MTS-225E2 | NS | 186597 | 7 | MTS-225E4TP | NS | 063490 | 4 |
| 2.5 | 240 | 1 | 47 | 2 | 9 | MTS-225A | S | 190051 | 4 | MTS-225E2 | NS | 289561 | 7 | MTS-225E4TP | NS | 063503 | 4 |
| 2.5 | 480 | 1 | 47 | 2 | 9 | MTS-225A | NS | 190060 | 4 | MTS-225E2 | NS | 289570 | 7 | MTS-225E4TP | NS | 063511 | 4 |
| 3 | 120 | 1 | 43 | 2 | 11-1/2 | MTS-230A | NS | 190078 | 5 | MTS-230E2 | NS | 186600 | 8 | MTS-230E4TP | NS | 063538 | 5 |
| 3 | 208 | 1 | 43 | 2 | 11-1/2 | MTS-230A | NS | 186618 | 5 | MTS-230E2 | NS | 186626 | 8 | MTS-230E4TP | NS | 063520 | 5 |
| 3 | 240 | 1 | 43 | 2 | 11-1/2 | MTS-230A | S | 190086 | 5 | MTS-230E2 | NS | 289588 | 8 | MTS-230E4TP | NS | 063546 | 5 |
| 3 | 480 | 1 | 43 | 2 | 11-1/2 | MTS-230A | S | 190094 | 5 | MTS-230E2 | NS | 289596 | 8 | MTS-230E4TP | NS | 063554 | 5 |
| 4 | 120 | 1 | 44 | 2 | 17-1/2 | MTS-240A | NS | 190107 | 5 | MTS-240E2 | NS | 186634 | 8 | MTS-240E4TP | NS | 063570 | 5 |
| 4 | 208 | 1 | 44 | 2 | 17-1/2 | MTS-240A | NS | 186642 | 5 | MTS-240E2 | NS | 186650 | 8 | MTS-240E4TP | NS | 063562 | 5 |
| 4 | 240 | 1 | 44 | 2 | 17-1/2 | MTS-240A | S | 190115 | 5 | MTS-240E2 | NS | 289609 | 8 | MTS-240E4TP | NS | 063589 | 5 |
| 4 | 480 | 1 | 44 | 2 | 17-1/2 | MTS-240A | S | 190123 | 5 | MTS-240E2 | NS | 289617 | 8 | MTS-240E4TP | NS | 063597 | 5 |
| 5 | 120 | 1 | 45 | 2 | 19 | MTS-250A | NS | 190131 | 5 | MTS-250E2 | NS | 186669 | 8 | MTS-250E4TP | NS | 063618 | 5 |
| 5 | 208 | 1 | 45 | 2 | 19 | MTS-250A | NS | 186677 | 5 | MTS-250E2 | NS | 186685 | 8 | MTS-250E4TP | NS | 063600 | 5 |
| 5 | 240 | 1 | 45 | 2 | 19 | MTS-250A | S | 190140 | 5 | MTS-250E2 | NS | 289625 | 8 | MTS-250E4TP | NS | 063626 | 5 |
| 5 | 480 | 1 | 45 | 2 | 19 | MTS-250A | NS | 190158 | 5 | MTS-250E2 | NS | 289633 | 8 | MTS-250E4TP | NS | 063634 | 5 |

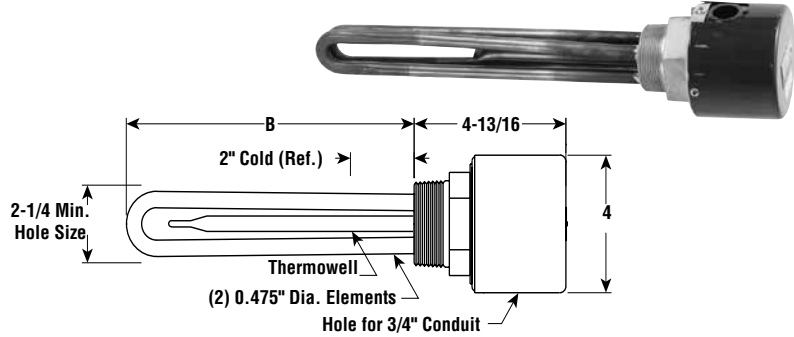
Immersion

MTS-2

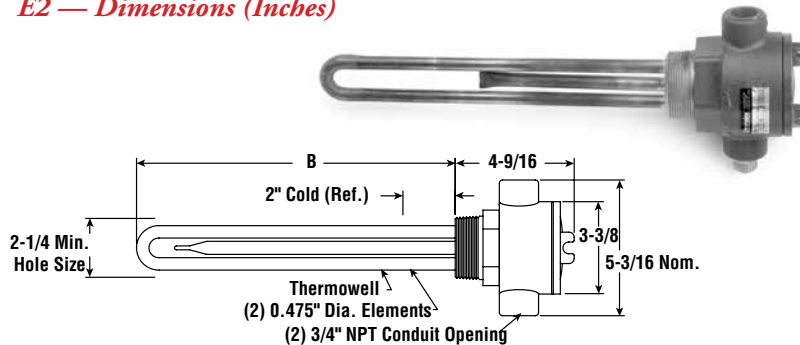
Process Water Applications (cont'd.)

- 2" NPT Stainless Steel Passivated Screw Plug
- Stainless Steel Passivated Sheath Elements
- High Watt Density (43 - 51 W/in²)
- 1.5 - 15 kW
- Without Thermostat
- 208, 240 and 480 Volt, Single Phase
- General Purpose or Moisture Resistant/Explosion Resistant Terminal Enclosure or Moisture Resistant

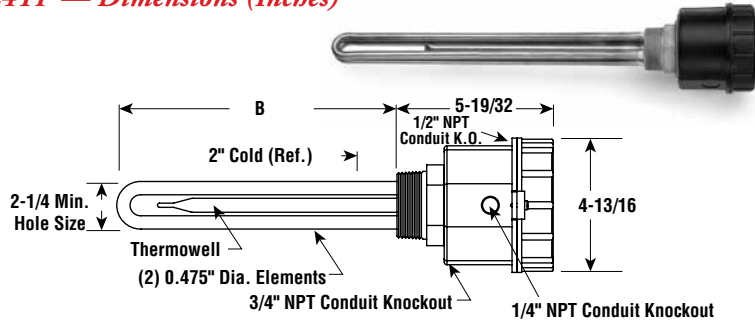
E1 — Dimensions (Inches)



E2 — Dimensions (Inches)



E4TP — Dimensions (Inches)



Specifications and Ordering Information

| | | | | | | E1 General Purpose ¹ | | | | E2 Moisture Resistant/Explosion Resistant ² | | | | E4 Moisture Resistant | | | |
|----|-------|-------|-------------------|-----------|-------------|---------------------------------|-------|--------|------------|--|-------|--------|------------|-----------------------|-------|--------|------------|
| kW | Volts | Phase | W/in ² | No. Elem. | DIM B (In.) | Model | Stock | PCN | Wt. (Lbs.) | Model | Stock | PCN | Wt. (Lbs.) | Model | Stock | PCN | Wt. (Lbs.) |
| 6 | 208 | 1 | 46 | 2 | 24-1/2 | MTS-260A | NS | 186693 | 5 | MTS-260E2 | NS | 186706 | 8 | MTS-260E4TP | NS | 063642 | 5 |
| 6 | 240 | 1 | 46 | 2 | 24-1/2 | MTS-260A | S | 190166 | 5 | MTS-260E2 | NS | 289641 | 8 | MTS-260E4TP | NS | 063650 | 5 |
| 6 | 480 | 1 | 46 | 2 | 24-1/2 | MTS-260A | S | 190174 | 5 | MTS-260E2 | NS | 289650 | 8 | MTS-260E4TP | NS | 063669 | 5 |
| 7 | 240 | 1 | 46 | 2 | 27-1/2 | MTS-270A | S | 190182 | 6 | MTS-270E2 | NS | 289676 | 9 | MTS-270E4TP | NS | 063677 | 6 |
| 7 | 480 | 1 | 46 | 2 | 27-1/2 | MTS-270A | NS | 190190 | 6 | MTS-270E2 | NS | 289684 | 9 | MTS-270E4TP | NS | 063685 | 6 |
| 10 | 208 | 1 | 46 | 2 | 40 | MTS-2100A | NS | 186714 | 8 | MTS-2100E2 | NS | 186722 | 11 | MTS-2100E4TP | NS | 063298 | 8 |
| 10 | 240 | 1 | 46 | 2 | 40 | MTS-2100A | NS | 190203 | 8 | MTS-2100E2 | NS | 289692 | 11 | MTS-2100E4TP | NS | 063300 | 8 |
| 10 | 480 | 1 | 46 | 2 | 40 | MTS-2100A | NS | 190211 | 8 | MTS-2100E2 | NS | 289705 | 11 | MTS-2100E4TP | NS | 063319 | 8 |
| 12 | 208 | 1 | 46 | 2 | 48 | MTS-2120A* | NS | 186730 | 8 | MTS-2120E2* | NS | 186749 | 11 | MTS-2120E4TP* | NS | 063327 | 8 |
| 12 | 240 | 1 | 46 | 2 | 48 | MTS-2120A* | NS | 190220 | 8 | MTS-2120E2* | NS | 289713 | 11 | MTS-2120E4TP* | NS | 063335 | 8 |
| 12 | 480 | 1 | 46 | 2 | 48 | MTS-2120A | NS | 190238 | 8 | MTS-2120E2 | NS | 289721 | 11 | MTS-2120E4TP | NS | 063343 | 8 |
| 15 | 240 | 1 | 50 | 2 | 54 | MTS-2150A* | NS | 190246 | 8 | MTS-2150E2* | NS | 289730 | 11 | MTS-2150E4TP* | NS | 063351 | 8 |
| 15 | 480 | 1 | 50 | 2 | 54 | MTS-2150A | NS | 190254 | 8 | MTS-2150E2 | NS | 289748 | 11 | MTS-2150E4TP | NS | 063360 | 8 |

Stock Status: S = stock NS = non-stock
To Order—Specify model, volts, phase, kW, PCN and quantity.

1. Heaters with General Purpose Enclosures are UL Listed and CSA Certified except Models with *(Exceeds 48 Amps).
2. Heaters with Moisture Resistant/Explosion Resistant Enclosures are CSA_{US}® Certified except Models with *(Exceeds 48 Amps).

FASTSHIP

Same-day shipping on stock item orders received before 4 pm CST. 3-day shipping on assembly-stock items.

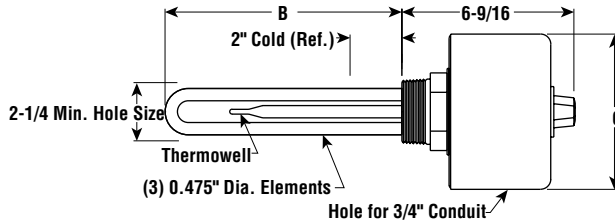
Immersion



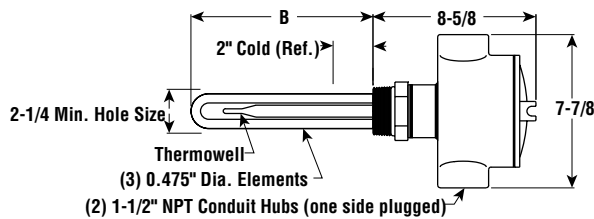
AREMTS-3 Process Water Applications

- 2" NPT Stainless Steel Passivated Screw Plug
- Stainless Steel Passivated Sheath Elements
- High Watt Density (45 W/in²)
- 3 - 18 kW
- Integral Thermostat (DPST)
- 240 and 480 Volt, Three Phase
- General Purpose or Moisture Resistant/Explosion Resistant Terminal Enclosure

E1 — Dimensions (Inches)



E2 — Dimensions (Inches)



SCREW PLUG

Specifications and Ordering Information

| | | | | | | | T2 — Temperature (60 - 250°F) | | | T1 — Temperature (0 - 100°F) | | |
|--|-------|-------|-------------------|-----------|-------------|------------|-------------------------------|-------|--------|------------------------------|-------|--------|
| kW | Volts | Phase | W/in ² | No. Elem. | DIM B (In.) | Wt. (Lbs.) | Model | Stock | PCN | Model | Stock | PCN |
| E1 General Purpose¹ | | | | | | | | | | | | |
| 3 | 240 | 3 | 45 | 3 | 7-3/4 | 7 | AREMTS-3305T2 | NS | 097631 | AREMTS-3305T1 | NS | 031851 |
| 3 | 480 | 3 | 45 | 3 | 7-3/4 | 7 | AREMTS-3305T2 | NS | 097640 | AREMTS-3305T1 | NS | 031860 |
| 6 | 240 | 3 | 45 | 3 | 17-3/4 | 8 | AREMTS-3605T2 | NS | 097650 | AREMTS-3605T1 | NS | 031878 |
| 6 | 480 | 3 | 45 | 3 | 17-3/4 | 8 | AREMTS-3605T2 | NS | 097666 | AREMTS-3605T1 | NS | 031886 |
| 9 | 240 | 3 | 45 | 3 | 24-7/8 | 9 | AREMTS-3905T2 | NS | 097674 | AREMTS-3905T1 | NS | 031894 |
| 9 | 480 | 3 | 45 | 3 | 24-7/8 | 9 | AREMTS-3905T2 | NS | 097682 | AREMTS-3905T1 | NS | 031907 |
| 12 | 240 | 3 | 45 | 3 | 32-7/16 | 10 | AREMTS-31205T2 | NS | 097690 | AREMTS-31205T1 | NS | 031915 |
| 12 | 480 | 3 | 45 | 3 | 32-7/16 | 10 | AREMTS-31205T2 | NS | 097703 | AREMTS-31205T1 | NS | 031923 |
| 15 | 240 | 3 | 45 | 3 | 40-3/8 | 11 | AREMTS-31505T2 | NS | 097711 | AREMTS-31505T1 | NS | 031931 |
| 15 | 480 | 3 | 45 | 3 | 40-3/8 | 11 | AREMTS-31505T2 | NS | 097720 | AREMTS-31505T1 | NS | 031940 |
| 18 | 240 | 3 | 45 | 3 | 47-7/8 | 12 | AREMTS-31805T2 | NS | 097738 | AREMTS-31805T1 | NS | 031958 |
| 18 | 480 | 3 | 45 | 3 | 47-7/8 | 12 | AREMTS-31805T2 | NS | 097746 | AREMTS-31805T1 | NS | 031966 |
| E2 Moisture Resistant/Explosion Resistant² | | | | | | | | | | | | |
| 3 | 240 | 3 | 45 | 3 | 7-3/4 | 12 | AREMTS-3305E2T2 | NS | 031974 | AREMTS-3305E2T1 | NS | 032096 |
| 3 | 480 | 3 | 45 | 3 | 7-3/4 | 12 | AREMTS-3305E2T2 | NS | 031982 | AREMTS-3305E2T1 | NS | 032109 |
| 6 | 240 | 3 | 45 | 3 | 17-3/4 | 13 | AREMTS-3605E2T2 | NS | 031990 | AREMTS-3605E2T1 | NS | 032117 |
| 6 | 480 | 3 | 45 | 3 | 17-3/4 | 13 | AREMTS-3605E2T2 | NS | 032002 | AREMTS-3605E2T1 | NS | 032125 |
| 9 | 240 | 3 | 45 | 3 | 24-7/8 | 14 | AREMTS-3905E2T2 | NS | 032010 | AREMTS-3905E2T1 | NS | 032133 |
| 9 | 480 | 3 | 45 | 3 | 24-7/8 | 14 | AREMTS-3905E2T2 | NS | 032029 | AREMTS-3905E2T1 | NS | 032141 |
| 12 | 240 | 3 | 45 | 3 | 32-7/16 | 15 | AREMTS-31205E2T2 | NS | 032037 | AREMTS-31205E2T1 | NS | 032150 |
| 12 | 480 | 3 | 45 | 3 | 32-7/16 | 15 | AREMTS-31205E2T2 | NS | 032045 | AREMTS-31205E2T1 | NS | 032168 |
| 15 | 240 | 3 | 45 | 3 | 40-3/8 | 16 | AREMTS-31505E2T2 | NS | 032053 | AREMTS-31505E2T1 | NS | 032176 |
| 15 | 480 | 3 | 45 | 3 | 40-3/8 | 16 | AREMTS-31505E2T2 | NS | 032061 | AREMTS-31505E2T1 | NS | 032184 |
| 18 | 240 | 3 | 45 | 3 | 47-7/8 | 17 | AREMTS-31805E2T2 | NS | 032070 | AREMTS-31805E2T1 | NS | 032192 |
| 18 | 480 | 3 | 45 | 3 | 47-7/8 | 17 | AREMTS-31805E2T2 | NS | 032088 | AREMTS-31805E2T1 | NS | 032205 |

Stock Status: S = stock NS = non-stock
To Order—Specify model, volts, phase, kW, PCN and quantity.

1. Heaters with General Purpose Enclosures are UL Listed and CSA Certified.
2. Heaters with Moisture Resistant/Explosion Resistant Enclosures are cCSA_{US}® Certified.



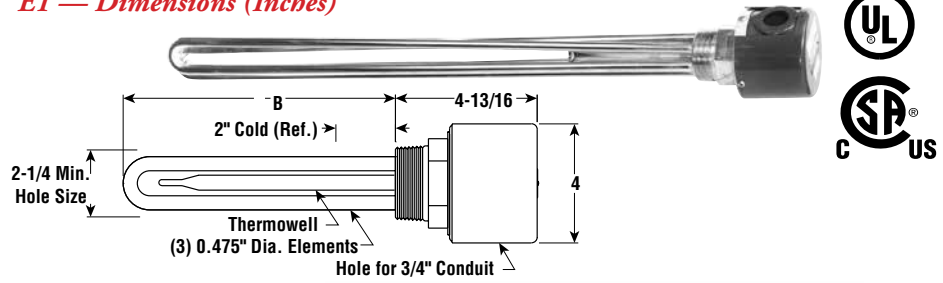
Same-day shipping on stock item orders received before 4 pm CST.
 3-day shipping on assembly-stock items.

Immersion

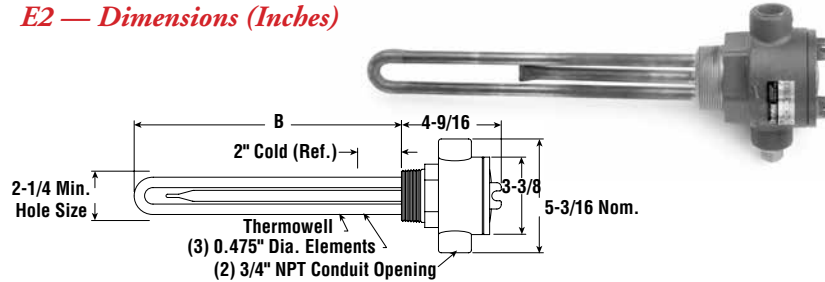
EMTS-3 Process Water Applications

- 2" NPT Stainless Steel Passivated Screw Plug
- Stainless Steel Passivated Sheath Elements
- High Watt Density (38 - 47 W/in²)
- 3 - 18 kW
- Without Thermostat
- 208, 240 and 480 Volt, 1 and 3 Phase
- General Purpose, Moisture Resistant/Explosion Resistant Terminal Enclosure or Moisture Resistant

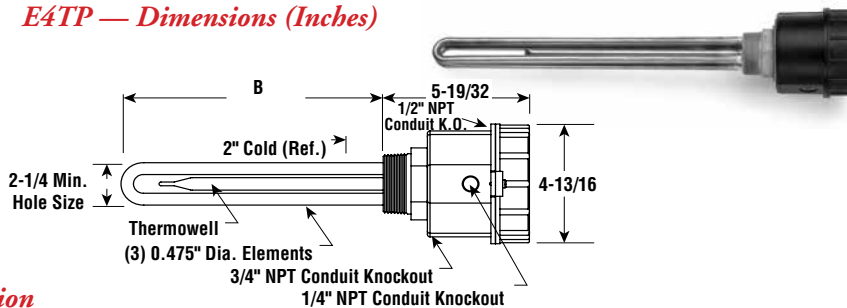
E1 — Dimensions (Inches)



E2 — Dimensions (Inches)



E4TP — Dimensions (Inches)



Specifications and Ordering Information

| | | | | | | | E1 General Purpose ¹ | | | | E2 Moisture Resistant/ Explosion Resistant ² | | | | E4 Moisture Resistant | | | |
|-----|-------|-------|-------------------|-----------|-------------|-----------------|---------------------------------|---------------|------------|------------|--|--------|------------|--------------|-----------------------|--------|------------|--|
| kW | Volts | Phase | W/in ² | No. Elem. | DIM B (In.) | Model | Stock | PCN | Wt. (Lbs.) | Model | Stock | PCN | Wt. (Lbs.) | Model | Stock | PCN | Wt. (Lbs.) | |
| 3 | 208 | 3 | 47 | 3 | 7-3/4 | EMTS-330 | NS | 092021 | 5 | EMTS-330E2 | NS | 092080 | 8 | EMTS-330E4TP | NS | 061794 | 5 | |
| 3 | 240 | 1 | 47 | 3 | 7-3/4 | EMTS-330 | NS | 092030 | 5 | EMTS-330E2 | NS | 092099 | 8 | EMTS-330E4TP | NS | 061807 | 5 | |
| 3 | 240 | 3 | 47 | 3 | 7-3/4 | EMTS-330 | NS | 092048 | 5 | EMTS-330E2 | NS | 092101 | 8 | EMTS-330E4TP | NS | 061815 | 5 | |
| 3 | 480 | 1 | 47 | 3 | 7-3/4 | EMTS-330 | NS | 092056 | 5 | EMTS-330E2 | NS | 092110 | 8 | EMTS-330E4TP | NS | 061823 | 5 | |
| 3 | 480 | 3 | 47 | 3 | 7-3/4 | EMTS-330 | S | 092064 | 5 | EMTS-330E2 | NS | 092128 | 8 | EMTS-330E4TP | NS | 061831 | 5 | |
| 4.5 | 208 | 1 | 44 | 3 | 11-3/4 | EMTS-345 | NS | 092136 | 6 | EMTS-345E2 | NS | 092195 | 9 | EMTS-345E4TP | NS | 061840 | 6 | |
| 4.5 | 208 | 3 | 44 | 3 | 11-3/4 | EMTS-345 | NS | 092144 | 6 | EMTS-345E2 | NS | 092208 | 9 | EMTS-345E4TP | NS | 061858 | 6 | |
| 4.5 | 240 | 1 | 44 | 3 | 11-3/4 | EMTS-345 | NS | 092152 | 6 | EMTS-345E2 | NS | 092216 | 9 | EMTS-345E4TP | NS | 061866 | 6 | |
| 4.5 | 240 | 3 | 44 | 3 | 11-3/4 | EMTS-345 | NS | 092160 | 6 | EMTS-345E2 | NS | 092224 | 9 | EMTS-345E4TP | NS | 061874 | 6 | |
| 4.5 | 480 | 1 | 44 | 3 | 11-3/4 | EMTS-345 | NS | 092179 | 6 | EMTS-345E2 | NS | 092232 | 9 | EMTS-345E4TP | NS | 061882 | 6 | |
| 4.5 | 480 | 3 | 44 | 3 | 11-3/4 | EMTS-345 | NS | 092187 | 6 | EMTS-345E2 | NS | 092240 | 9 | EMTS-345E4TP | NS | 061890 | 6 | |
| 6 | 208 | 3 | 38 | 3 | 17-3/4 | EMTS-360 | NS | 092267 | 6 | EMTS-360E2 | NS | 092320 | 9 | EMTS-360E4TP | NS | 061911 | 6 | |
| 6 | 240 | 1 | 38 | 3 | 17-3/4 | EMTS-360 | NS | 092275 | 6 | EMTS-360E2 | NS | 092339 | 9 | EMTS-360E4TP | NS | 061920 | 6 | |
| 6 | 240 | 3 | 38 | 3 | 17-3/4 | EMTS-360 | NS | 092283 | 6 | EMTS-360E2 | NS | 092347 | 9 | EMTS-360E4TP | NS | 061938 | 6 | |
| 6 | 480 | 1 | 38 | 3 | 17-3/4 | EMTS-360 | NS | 092291 | 6 | EMTS-360E2 | NS | 092355 | 9 | EMTS-360E4TP | NS | 061946 | 6 | |
| 6 | 480 | 3 | 38 | 3 | 17-3/4 | EMTS-360 | S | 092304 | 6 | EMTS-360E2 | NS | 092363 | 9 | EMTS-360E4TP | NS | 061954 | 6 | |
| 7.5 | 208 | 1 | 43 | 3 | 19-1/2 | EMTS-375 | NS | 092371 | 6 | EMTS-375E2 | NS | 092435 | 9 | EMTS-375E4TP | NS | 061962 | 6 | |
| 7.5 | 208 | 3 | 43 | 3 | 19-1/2 | EMTS-375 | NS | 092380 | 6 | EMTS-375E2 | NS | 092443 | 9 | EMTS-375E4TP | NS | 061970 | 6 | |
| 7.5 | 240 | 1 | 43 | 3 | 19-1/2 | EMTS-375 | NS | 092398 | 6 | EMTS-375E2 | NS | 092451 | 9 | EMTS-375E4TP | NS | 061989 | 6 | |
| 7.5 | 240 | 3 | 43 | 3 | 19-1/2 | EMTS-375 | NS | 092400 | 6 | EMTS-375E2 | NS | 092460 | 9 | EMTS-375E4TP | NS | 061997 | 6 | |
| 7.5 | 480 | 1 | 43 | 3 | 19-1/2 | EMTS-375 | NS | 092419 | 6 | EMTS-375E2 | NS | 092478 | 9 | EMTS-375E4TP | NS | 062009 | 6 | |
| 7.5 | 480 | 3 | 43 | 3 | 19-1/2 | EMTS-375 | NS | 092427 | 6 | EMTS-375E2 | NS | 092486 | 9 | EMTS-375E4TP | NS | 062017 | 6 | |
| 9 | 208 | 1 | 40 | 3 | 24-7/8 | EMTS-390 | NS | 092494 | 7 | EMTS-390E2 | NS | 092558 | 10 | EMTS-390E4TP | NS | 062025 | 7 | |
| 9 | 208 | 3 | 40 | 3 | 24-7/8 | EMTS-390 | NS | 092507 | 7 | EMTS-390E2 | NS | 092566 | 10 | EMTS-390E4TP | NS | 062033 | 7 | |
| 9 | 240 | 1 | 40 | 3 | 24-7/8 | EMTS-390 | NS | 092515 | 7 | EMTS-390E2 | NS | 092574 | 10 | EMTS-390E4TP | NS | 062041 | 7 | |
| 9 | 240 | 3 | 40 | 3 | 24-7/8 | EMTS-390 | S | 092523 | 7 | EMTS-390E2 | NS | 092582 | 10 | EMTS-390E4TP | NS | 062050 | 7 | |
| 9 | 480 | 1 | 40 | 3 | 24-7/8 | EMTS-390 | NS | 092531 | 7 | EMTS-390E2 | NS | 092590 | 10 | EMTS-390E4TP | NS | 062068 | 7 | |
| 9 | 480 | 3 | 40 | 3 | 24-7/8 | EMTS-390 | S | 092540 | 7 | EMTS-390E2 | NS | 092603 | 10 | EMTS-390E4TP | NS | 062076 | 7 | |

Stock Status: S = stock NS = non-stock
To Order—Specify model, volts, phase, kW, PCN and quantity.

1. Heaters with General Purpose Enclosures are UL Listed & CSA Certified except Models with *(Exceeds 48 Amps).
2. Heaters with Moisture Resistant/Explosion Resistant Enclosures are _CCSA_{US}® Certified except Models with *(Exceeds 48 Amps).

FASTShip

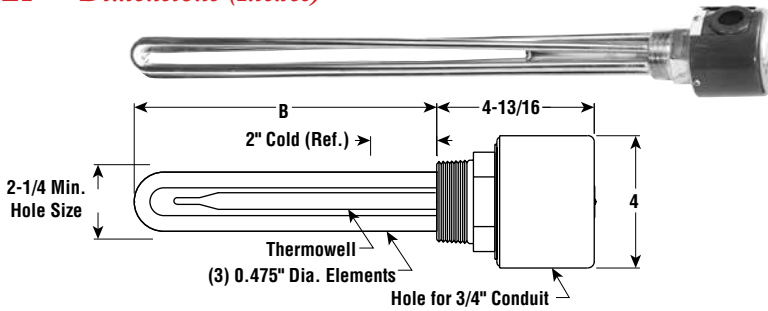
Same-day shipping on stock item orders received before 4 pm CST.
 3-day shipping on assembly-stock items.

Immersion

EMTS-3 Process Water Applications (cont'd.)

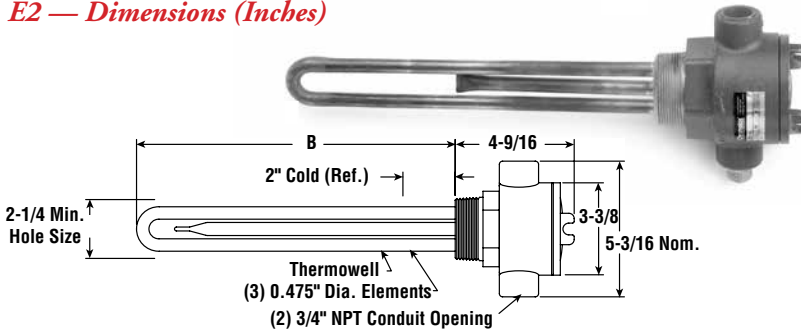
- 2" NPT Stainless Steel Passivated Screw Plug
- Stainless Steel Passivated Sheath Elements
- High Watt Density (38 - 47 W/In²)
- 3 - 18 kW
- Without Thermostat
- 208, 240 and 480 Volt, 1 and 3 Phase
- General Purpose, Moisture Resistant/Explosion Resistant Terminal Enclosure or Moisture Resistant

E1 — Dimensions (Inches)

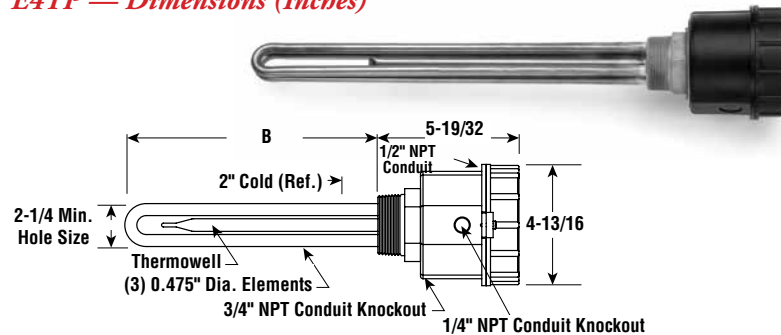


SCREW PLUG

E2 — Dimensions (Inches)



E4TP — Dimensions (Inches)



Specifications and Ordering Information

| | | | | | | E1 General Purpose ¹ | | | | E2 Moisture Resistant/ Explosion Resistant ² | | | | E4 Moisture Resistant | | | |
|----|-------|-------|-------------------|-----------|-------------|---------------------------------|----------|---------------|------------|--|-------|--------|------------|-----------------------|-------|--------|------------|
| kW | Volts | Phase | W/In ² | No. Elem. | DIM B (In.) | Model | Stock | PCN | Wt. (Lbs.) | Model | Stock | PCN | Wt. (Lbs.) | Model | Stock | PCN | Wt. (Lbs.) |
| 12 | 208 | 1 | 40 | 3 | 32-7/16 | EMTS-3120* | NS | 092611 | 9 | EMTS-3120E2* | NS | 092670 | 12 | EMTS-3120E4TP* | NS | 061612 | 9 |
| 12 | 208 | 3 | 40 | 3 | 32-7/16 | EMTS-3120 | NS | 092620 | 9 | EMTS-3120E2 | NS | 092689 | 12 | EMTS-3120E4TP | NS | 061620 | 9 |
| 12 | 240 | 1 | 40 | 3 | 32-7/16 | EMTS-3120* | NS | 092638 | 9 | EMTS-3120E2* | NS | 092697 | 12 | EMTS-3120E4TP* | NS | 061639 | 9 |
| 12 | 240 | 3 | 40 | 3 | 32-7/16 | EMTS-3120 | S | 092646 | 9 | EMTS-3120E2 | NS | 092700 | 12 | EMTS-3120E4TP | NS | 061647 | 9 |
| 12 | 480 | 1 | 40 | 3 | 32-7/16 | EMTS-3120 | NS | 092654 | 9 | EMTS-3120E2 | NS | 092718 | 12 | EMTS-3120E4TP | NS | 061655 | 9 |
| 12 | 480 | 3 | 40 | 3 | 32-7/16 | EMTS-3120 | NS | 092662 | 9 | EMTS-3120E2 | NS | 092726 | 12 | EMTS-3120E4TP | NS | 061663 | 9 |
| 15 | 208 | 1 | 41 | 3 | 40-3/8 | EMTS-3150* | NS | 092734 | 10 | EMTS-3150E2* | NS | 092793 | 13 | EMTS-3150E4TP* | NS | 061671 | 10 |
| 15 | 208 | 3 | 41 | 3 | 40-3/8 | EMTS-3150 | NS | 092742 | 10 | EMTS-3150E2 | NS | 092806 | 13 | EMTS-3150E4TP | NS | 061680 | 10 |
| 15 | 240 | 1 | 41 | 3 | 40-3/8 | EMTS-3150* | NS | 092750 | 10 | EMTS-3150E2* | NS | 092814 | 13 | EMTS-3150E4TP* | NS | 061398 | 10 |
| 15 | 240 | 3 | 41 | 3 | 40-3/8 | EMTS-3150 | S | 092769 | 10 | EMTS-3150E2 | NS | 092822 | 13 | EMTS-3150E4TP | NS | 061700 | 10 |
| 15 | 480 | 1 | 41 | 3 | 40-3/8 | EMTS-3150 | NS | 092777 | 10 | EMTS-3150E2 | NS | 092830 | 13 | EMTS-3150E4TP | NS | 061719 | 10 |
| 15 | 480 | 3 | 41 | 3 | 40-3/8 | EMTS-3150 | S | 092785 | 10 | EMTS-3150E2 | NS | 092849 | 13 | EMTS-3150E4TP | NS | 061727 | 10 |
| 18 | 208 | 1 | 41 | 3 | 47-7/8 | EMTS-3180* | NS | 092857 | 12 | EMTS-3180E2* | NS | 092910 | 15 | EMTS-3180E4TP* | NS | 061735 | 12 |
| 18 | 208 | 3 | 41 | 3 | 47-7/8 | EMTS-3180* | NS | 092865 | 12 | EMTS-3180E2* | NS | 092929 | 15 | EMTS-3180E4TP* | NS | 061743 | 12 |
| 18 | 240 | 1 | 41 | 3 | 47-7/8 | EMTS-3180* | NS | 092873 | 12 | EMTS-3180E2* | NS | 092937 | 15 | EMTS-3180E4TP* | NS | 061751 | 12 |
| 18 | 240 | 3 | 41 | 3 | 47-7/8 | EMTS-3180 | NS | 092881 | 12 | EMTS-3180E2 | NS | 092945 | 15 | EMTS-3180E4TP | NS | 061760 | 12 |
| 18 | 480 | 1 | 41 | 3 | 47-7/8 | EMTS-3180 | NS | 092890 | 12 | EMTS-3180E2 | NS | 092953 | 15 | EMTS-3180E4TP | NS | 061778 | 12 |
| 18 | 480 | 3 | 41 | 3 | 47-7/8 | EMTS-3180 | S | 092902 | 12 | EMTS-3180E2 | NS | 092961 | 15 | EMTS-3180E4TP | NS | 061786 | 12 |

Stock Status: S = stock NS = non-stock
To Order—Specify model, volts, phase, kW, PCN and quantity.

1. Heaters with General Purpose Enclosures are UL Listed and CSA Certified except Models with *(Exceeds 48 Amps).
2. Heaters with Moisture Resistant/Explosion Resistant Enclosures are CSA^{US} Certified except Models with *(Exceeds 48 Amps).



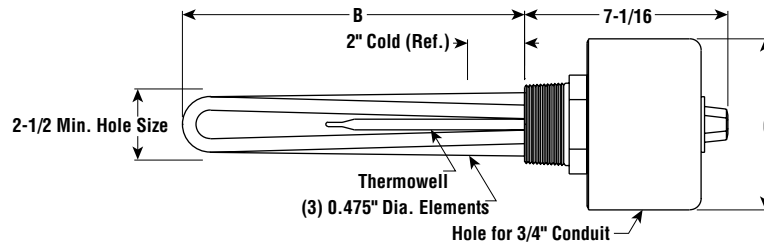
Same-day shipping on stock item orders received before 4 pm CST.
3-day shipping on assembly-stock items.

ARMTS-3 Process Water Applications



- 2-1/2" NPT Stainless Steel Passivated Screw Plug
- Stainless Steel Passivated Sheath Elements
- High Watt Density (46 - 53 W/In²)
- 3 - 18 kW
- Integral Thermostat (DPST)
- 208, 240 and 480 Volt, Three Phase
- General Purpose Terminal Enclosure

E1 — Dimensions (Inches)



Specifications and Ordering Information

| | | | | | | | T2 — Temperature (60 - 250°F) | | | T1 — Temperature (0 - 100°F) | | |
|---------------------------|-------|-------|-------------------|-------|-------------|------------|-------------------------------|-------|--------|------------------------------|-------|--------|
| kW | Volts | Phase | W/In ² | Elem. | DIM B (In.) | Wt. (Lbs.) | Model | Stock | PCN | Model | Stock | PCN |
| E1 General Purpose | | | | | | | | | | | | |
| 3 | 208 | 3 | 51 | 3 | 7 | 8 | ARMTS-3305T2 | NS | 187100 | ARMTS-3305T1 | NS | 187119 |
| 3 | 240 | 3 | 51 | 3 | 7 | 8 | ARMTS-3305T2 | NS | 184786 | ARMTS-3305T1 | NS | 184823 |
| 3 | 480 | 3 | 51 | 3 | 7 | 8 | ARMTS-3305T2 | NS | 184794 | ARMTS-3305T1 | NS | 184831 |
| 4.5 | 208 | 3 | 48 | 3 | 11 | 8 | ARMTS-3455T2 | NS | 187143 | ARMTS-3455T1 | NS | 187151 |
| 4.5 | 240 | 3 | 48 | 3 | 11 | 8 | ARMTS-3455T2 | NS | 184866 | ARMTS-3455T1 | NS | 184903 |
| 4.5 | 480 | 3 | 48 | 3 | 11 | 8 | ARMTS-3455T2 | NS | 184874 | ARMTS-3455T1 | NS | 184911 |
| 6 | 208 | 3 | 48 | 3 | 17 | 9 | ARMTS-3605T2 | NS | 187186 | ARMTS-3605T1 | NS | 187194 |
| 6 | 240 | 3 | 48 | 3 | 17 | 9 | ARMTS-3605T2 | NS | 184946 | ARMTS-3605T1 | NS | 184989 |
| 6 | 480 | 3 | 48 | 3 | 17 | 9 | ARMTS-3605T2 | NS | 184955 | ARMTS-3605T1 | NS | 184997 |
| 7.5 | 208 | 3 | 53 | 3 | 18-1/2 | 10 | ARMTS-3755T2 | NS | 187223 | ARMTS-3755T1 | NS | 187231 |
| 7.5 | 240 | 3 | 53 | 3 | 18-1/2 | 10 | ARMTS-3755T2 | NS | 185025 | ARMTS-3755T1 | NS | 185068 |
| 7.5 | 480 | 3 | 53 | 3 | 18-1/2 | 10 | ARMTS-3755T2 | NS | 185033 | ARMTS-3755T1 | NS | 185076 |
| 9 | 208 | 3 | 47 | 3 | 24 | 10 | ARMTS-3905T2 | NS | 187266 | ARMTS-3905T1 | NS | 187274 |
| 9 | 240 | 3 | 47 | 3 | 24 | 10 | ARMTS-3905T2 | NS | 185105 | ARMTS-3905T1 | NS | 185148 |
| 9 | 480 | 3 | 47 | 3 | 24 | 10 | ARMTS-3905T2 | NS | 185113 | ARMTS-3905T1 | NS | 185156 |
| 12 | 208 | 3 | 46 | 3 | 32 | 11 | ARMTS-3120T2 | NS | 187305 | ARMTS-3120T1 | NS | 187311 |
| 12 | 240 | 3 | 46 | 3 | 32 | 11 | ARMTS-3120T2 | NS | 185180 | ARMTS-3120T1 | NS | 185228 |
| 12 | 480 | 3 | 46 | 3 | 32 | 11 | ARMTS-3120T2 | NS | 185199 | ARMTS-3120T1 | NS | 185236 |
| 15 | 208 | 3 | 46 | 3 | 39-1/2 | 12 | ARMTS-3150T2 | NS | 187346 | ARMTS-3150T1 | NS | 187354 |
| 15 | 240 | 3 | 46 | 3 | 39-1/2 | 12 | ARMTS-3150T2 | NS | 185260 | ARMTS-3150T1 | NS | 185308 |
| 15 | 480 | 3 | 46 | 3 | 39-1/2 | 12 | ARMTS-3150T2 | NS | 185279 | ARMTS-3150T1 | NS | 185316 |
| 18 | 208 | 3 | 51 | 3 | 47 | 13 | ARMTS-3180T2' | NS | 187389 | ARMTS-3180T1' | NS | 187397 |
| 18 | 240 | 3 | 51 | 3 | 47 | 13 | ARMTS-3180T2 | NS | 185340 | ARMTS-3180T1 | NS | 185383 |
| 18 | 480 | 3 | 51 | 3 | 47 | 13 | ARMTS-3180T2 | NS | 185359 | ARMTS-3180T1 | NS | 185391 |

Stock Status: S = stock NS = non-stock
To Order— Specify model, volts, phase, kW, PCN and quantity.

1. Not UL Listed or CSA Certified (Exceeds 48 Amps).



Same-day shipping on stock item orders received before 4 pm CST.
 3-day shipping on assembly-stock items.

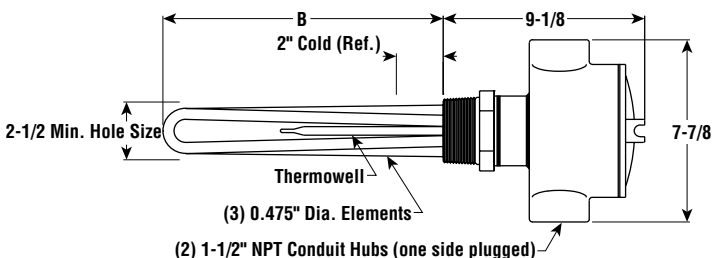


ARMTS-3 Process Water Applications (cont'd.)



- 2-1/2" NPT Stainless Steel Passivated Screw Plug
- Stainless Steel Passivated Sheath Elements
- High Watt Density (46 - 53 W/In²)
- 3 - 18 kW
- Integral Thermostat (DPST)
- 208, 240 and 480 Volt, Single Phase
- Moisture Resistant/Explosion Resistant Terminal Enclosure

E2 — Dimensions (Inches)



SCREW PLUG

Specifications and Ordering Information

| | | | | | | | T2 — Temperature (60 - 250°F) | | | T1 — Temperature (0 - 100°F) | | |
|--|-------|-------|-------------------|-----------|-------------|------------|-------------------------------|-------|--------|------------------------------|-------|--------|
| kW | Volts | Phase | W/In ² | No. Elem. | DIM B (In.) | Wt. (Lbs.) | Model | Stock | PCN | Model | Stock | PCN |
| E2 Moisture Resistant/Explosion Resistant | | | | | | | | | | | | |
| 3 | 208 | 3 | 51 | 3 | 7 | 13 | ARMTS-3305E2T2 | NS | 187127 | ARMTS-3305E2T1 | NS | 187135 |
| 3 | 240 | 3 | 51 | 3 | 7 | 13 | ARMTS-3305E2T2 | NS | 184807 | ARMTS-3305E2T1 | NS | 184840 |
| 3 | 480 | 3 | 51 | 3 | 7 | 13 | ARMTS-3305E2T2 | NS | 184815 | ARMTS-3305E2T1 | NS | 184858 |
| 4.5 | 208 | 3 | 48 | 3 | 11 | 13 | ARMTS-3455E2T2 | NS | 187160 | ARMTS-3455E2T1 | NS | 187178 |
| 4.5 | 240 | 3 | 48 | 3 | 11 | 13 | ARMTS-3455E2T2 | NS | 184882 | ARMTS-3455E2T1 | NS | 184920 |
| 4.5 | 480 | 3 | 48 | 3 | 11 | 13 | ARMTS-3455E2T2 | NS | 184890 | ARMTS-3455E2T1 | NS | 184938 |
| 6 | 208 | 3 | 48 | 3 | 17 | 14 | ARMTS-3605E2T2 | NS | 187207 | ARMTS-3605E2T1 | NS | 187215 |
| 6 | 240 | 3 | 48 | 3 | 17 | 14 | ARMTS-3605E2T2 | NS | 184962 | ARMTS-3605E2T1 | NS | 185009 |
| 6 | 480 | 3 | 48 | 3 | 17 | 14 | ARMTS-3605E2T2 | NS | 184970 | ARMTS-3605E2T1 | NS | 185017 |
| 7.5 | 208 | 3 | 53 | 3 | 18-1/2 | 15 | ARMTS-3755E2T2 | NS | 187240 | ARMTS-3755E2T1 | NS | 187258 |
| 7.5 | 240 | 3 | 53 | 3 | 18-1/2 | 15 | ARMTS-3755E2T2 | NS | 185041 | ARMTS-3755E2T1 | NS | 185084 |
| 7.5 | 480 | 3 | 53 | 3 | 18-1/2 | 15 | ARMTS-3755E2T2 | NS | 185050 | ARMTS-3755E2T1 | NS | 185092 |
| 9 | 208 | 3 | 47 | 3 | 24 | 15 | ARMTS-3905E2T2 | NS | 187282 | ARMTS-3905E2T1 | NS | 187290 |
| 9 | 240 | 3 | 47 | 3 | 24 | 15 | ARMTS-3905E2T2 | NS | 185121 | ARMTS-3905E2T1 | NS | 185164 |
| 9 | 480 | 3 | 47 | 3 | 24 | 15 | ARMTS-3905E2T2 | NS | 185130 | ARMTS-3905E2T1 | NS | 185172 |
| 12 | 208 | 3 | 46 | 3 | 32 | 16 | ARMTS-3120E2T2 | NS | 187320 | ARMTS-3120E2T1 | NS | 187338 |
| 12 | 240 | 3 | 46 | 3 | 32 | 16 | ARMTS-3120E2T2 | NS | 185201 | ARMTS-3120E2T1 | NS | 185244 |
| 12 | 480 | 3 | 46 | 3 | 32 | 16 | ARMTS-3120E2T2 | NS | 185210 | ARMTS-3120E2T1 | NS | 185252 |
| 15 | 208 | 3 | 46 | 3 | 39-1/2 | 17 | ARMTS-3150E2T2 | NS | 187362 | ARMTS-3150E2T1 | NS | 187370 |
| 15 | 240 | 3 | 46 | 3 | 39-1/2 | 17 | ARMTS-3150E2T2 | NS | 185287 | ARMTS-3150E2T1 | NS | 185324 |
| 15 | 480 | 3 | 46 | 3 | 39-1/2 | 17 | ARMTS-3150E2T2 | NS | 185295 | ARMTS-3150E2T1 | NS | 185332 |
| 18 | 208 | 3 | 51 | 3 | 47 | 18 | ARMTS-3180E2T2 ¹ | NS | 187400 | ARMTS-3180E2T1 ¹ | NS | 187418 |
| 18 | 240 | 3 | 51 | 3 | 47 | 18 | ARMTS-3180E2T2 | NS | 185367 | ARMTS-3180E2T1 | NS | 185404 |
| 18 | 480 | 3 | 51 | 3 | 47 | 18 | ARMTS-3180E2T2 | NS | 185375 | ARMTS-3180E2T1 | NS | 185412 |

Stock Status: S = stock NS = non-stock
To Order—Specify model, volts, phase, kW, PCN and quantity.



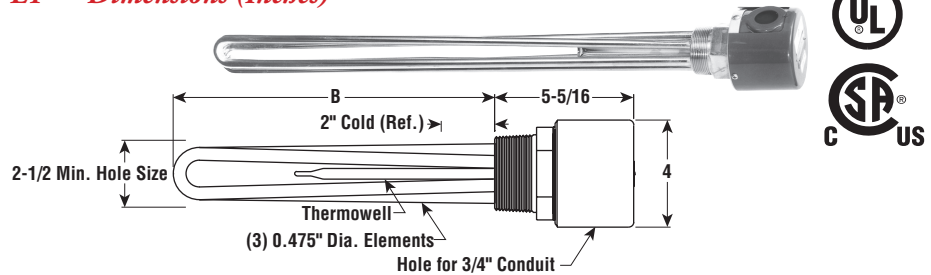
1. Not cCSA_{US}® Certified (Exceeds 48 Amps).

Same-day shipping on stock item orders received before 4 pm CST.
3-day shipping on assembly-stock items.

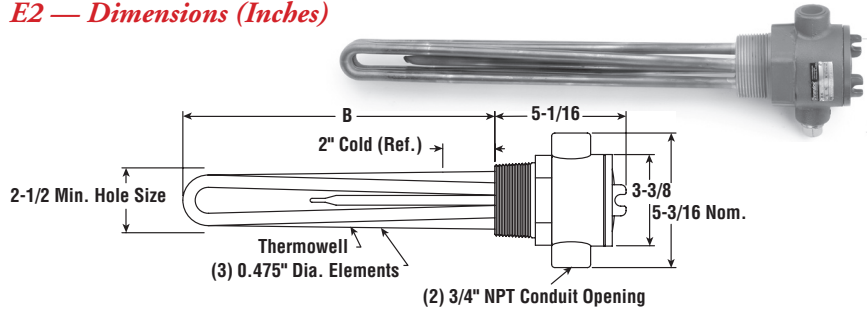
MTS-3 Process Water Applications

- 2-1/2" NPT Stainless Steel Passivated Screw Plug
- Stainless Steel Passivated Sheath Elements
- High Watt Density (46 - 53 W/in²)
- 3 - 18 kW
- Without Thermostat
- 120, 208, 240 and 480 Volt, 1 & 3 Phase
- General Purpose, Moisture Resistant/Explosion Resistant Terminal Enclosure or Moisture Resistant

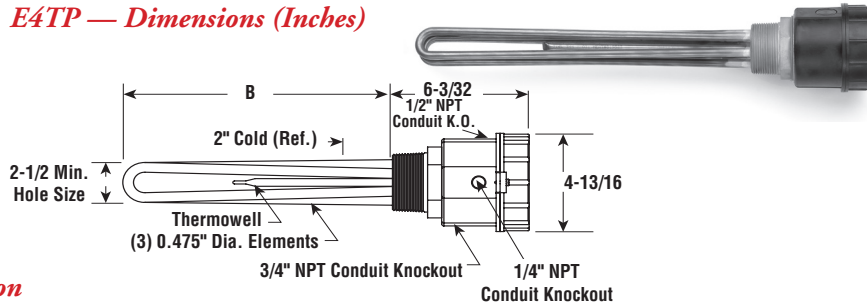
E1 — Dimensions (Inches)



E2 — Dimensions (Inches)



E4TP — Dimensions (Inches)



FASTShip

Same-day shipping on stock item orders received before 4 pm CST.
3-day shipping on assembly-stock items.

Specifications and Ordering Information

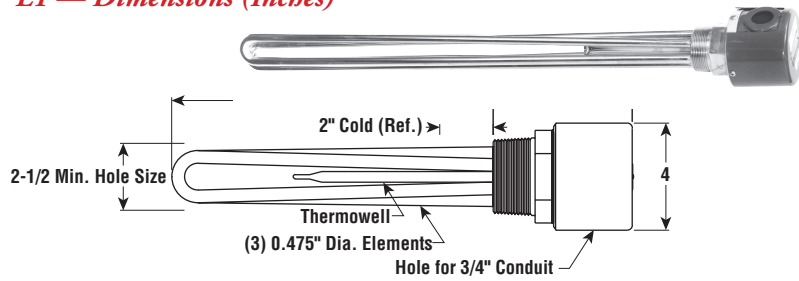
| | | | | | | E1 General Purpose ¹ | | | | E2 Moisture Resistant/ Explosion Resistant ² | | | | E4 Moisture Resistant | | | |
|-----|-------|-------|-------------------|-----------|-------------|---------------------------------|----------|---------------|------------|--|----------|---------------|------------|-----------------------|-------|--------|------------|
| kW | Volts | Phase | W/in ² | No. Elem. | DIM B (In.) | Model | Stock | PCN | Wt. (Lbs.) | Model | Stock | PCN | Wt. (Lbs.) | Model | Stock | PCN | Wt. (Lbs.) |
| 3 | 120 | 1 | 51 | 3 | 6-7/8 | MTS-330A | NS | 256954 | 5 | MTS-330E2 | NS | 186757 | 8 | MTS-330E4TP | NS | 065111 | 5 |
| 3 | 208 | 1 | 51 | 3 | 6-7/8 | MTS-330A | NS | 186765 | 5 | MTS-330E2 | NS | 186773 | 8 | MTS-330E4TP | NS | 065090 | 5 |
| 3 | 208 | 3 | 51 | 3 | 6-7/8 | MTS-330A | NS | 186781 | 5 | MTS-330E2 | NS | 186790 | 8 | MTS-330E4TP | NS | 065103 | 5 |
| 3 | 240 | 1 | 51 | 3 | 6-7/8 | MTS-330A | NS | 256962 | 5 | MTS-330E2 | NS | 289810 | 8 | MTS-330E4TP | NS | 065138 | 5 |
| 3 | 240 | 3 | 51 | 3 | 6-7/8 | MTS-330A | NS | 256997 | 5 | MTS-330E2 | NS | 289828 | 8 | MTS-330E4TP | NS | 065146 | 5 |
| 3 | 480 | 1 | 51 | 3 | 6-7/8 | MTS-330A | NS | 256970 | 5 | MTS-330E2 | NS | 310906 | 8 | MTS-330E4TP | NS | 065120 | 5 |
| 3 | 480 | 3 | 51 | 3 | 6-7/8 | MTS-330A | S | 257009 | 5 | MTS-330E2 | NS | 289836 | 8 | MTS-330E4TP | NS | 065154 | 5 |
| 4.5 | 120 | 1 | 48 | 3 | 10-7/8 | MTS-345A | NS | 258360 | 6 | MTS-345E2 | NS | 186802 | 9 | MTS-345E4TP | NS | 065200 | 6 |
| 4.5 | 208 | 1 | 48 | 3 | 10-7/8 | MTS-345A | NS | 186810 | 6 | MTS-345E2 | NS | 186829 | 9 | MTS-345E4TP | NS | 065162 | 6 |
| 4.5 | 208 | 3 | 48 | 3 | 10-7/8 | MTS-345A | NS | 186837 | 6 | MTS-345E2 | NS | 186845 | 9 | MTS-345E4TP | NS | 065170 | 6 |
| 4.5 | 240 | 1 | 48 | 3 | 10-7/8 | MTS-345A | NS | 192030 | 6 | MTS-345E2 | NS | 289844 | 9 | MTS-345E4TP | NS | 065189 | 6 |
| 4.5 | 240 | 3 | 48 | 3 | 10-7/8 | MTS-345A | S | 192049 | 6 | MTS-345E2 | NS | 289852 | 9 | MTS-345E4TP | NS | 065197 | 6 |
| 4.5 | 480 | 1 | 48 | 3 | 10-7/8 | MTS-345A | NS | 258378 | 6 | MTS-345E2 | NS | 289860 | 9 | MTS-345E4TP | NS | 065218 | 6 |
| 4.5 | 480 | 3 | 48 | 3 | 10-7/8 | MTS-345A | S | 258394 | 6 | MTS-345E2 | NS | 289879 | 9 | MTS-345E4TP | NS | 065226 | 6 |
| 6 | 120 | 1 | 48 | 3 | 16-7/8 | MTS-360A | NS | 192057 | 6 | MTS-360E2 | NS | 186853 | 9 | MTS-360E4TP | NS | 065250 | 6 |
| 6 | 208 | 1 | 48 | 3 | 16-7/8 | MTS-360A | NS | 186861 | 6 | MTS-360E2 | NS | 186870 | 9 | MTS-360E4TP | NS | 065234 | 6 |
| 6 | 208 | 3 | 48 | 3 | 16-7/8 | MTS-360A | NS | 186888 | 6 | MTS-360E2 | NS | 186896 | 9 | MTS-360E4TP | NS | 065242 | 6 |
| 6 | 240 | 1 | 48 | 3 | 16-7/8 | MTS-360A | NS | 192065 | 6 | MTS-360E2 | NS | 289887 | 9 | MTS-360E4TP | NS | 065269 | 6 |
| 6 | 240 | 3 | 48 | 3 | 16-7/8 | MTS-360A | S | 192102 | 6 | MTS-360E2 | NS | 289895 | 9 | MTS-360E4TP | NS | 065285 | 6 |
| 6 | 480 | 1 | 48 | 3 | 16-7/8 | MTS-360A | NS | 192073 | 6 | MTS-360E2 | NS | 289908 | 9 | MTS-360E4TP | NS | 065277 | 6 |
| 6 | 480 | 3 | 48 | 3 | 16-7/8 | MTS-360A | S | 192110 | 6 | MTS-360E2 | S | 289916 | 9 | MTS-360E4TP | NS | 065293 | 6 |
| 7.5 | 208 | 1 | 53 | 3 | 18-11/16 | MTS-375A | NS | 186909 | 6 | MTS-375E2 | NS | 186917 | 9 | MTS-375E4TP | NS | 065306 | 6 |
| 7.5 | 208 | 3 | 53 | 3 | 18-11/16 | MTS-375A | NS | 186925 | 6 | MTS-375E2 | NS | 186933 | 9 | MTS-375E4TP | NS | 065314 | 6 |
| 7.5 | 240 | 1 | 53 | 3 | 18-11/16 | MTS-375A | NS | 192137 | 6 | MTS-375E2 | NS | 289924 | 9 | MTS-375E4TP | NS | 065322 | 6 |
| 7.5 | 248 | 3 | 53 | 3 | 18-11/16 | MTS-375A | S | 192161 | 6 | MTS-375E2 | NS | 289932 | 9 | MTS-375E4TP | NS | 065349 | 6 |
| 7.5 | 480 | 1 | 53 | 3 | 18-11/16 | MTS-375A | NS | 192145 | 6 | MTS-375E2 | NS | 289940 | 9 | MTS-375E4TP | NS | 065330 | 6 |
| 7.5 | 480 | 3 | 53 | 3 | 18-11/16 | MTS-375A | S | 192170 | 6 | MTS-375E2 | S | 289959 | 9 | MTS-375E4TP | NS | 065357 | 6 |
| 9 | 208 | 1 | 47 | 3 | 24 | MTS-390A | NS | 186941 | 7 | MTS-390E2 | NS | 186950 | 10 | MTS-390E4TP | NS | 065365 | 7 |
| 9 | 208 | 3 | 47 | 3 | 24 | MTS-390A | NS | 186976 | 7 | MTS-390E2 | NS | 186968 | 10 | MTS-390E4TP | NS | 065373 | 7 |
| 9 | 240 | 1 | 47 | 3 | 24 | MTS-390A | NS | 192196 | 7 | MTS-390E2 | NS | 289967 | 10 | MTS-390E4TP | NS | 065381 | 7 |
| 9 | 240 | 3 | 47 | 3 | 24 | MTS-390A | S | 192225 | 7 | MTS-390E2 | S | 289975 | 10 | MTS-390E4TP | NS | 065402 | 7 |
| 9 | 480 | 1 | 47 | 3 | 24 | MTS-390A | NS | 192209 | 7 | MTS-390E2 | NS | 289983 | 10 | MTS-390E4TP | NS | 065390 | 7 |
| 9 | 480 | 3 | 47 | 3 | 24 | MTS-390A | S | 192233 | 7 | MTS-390E2 | S | 289991 | 10 | MTS-390E4TP | NS | 065410 | 7 |

Immersion

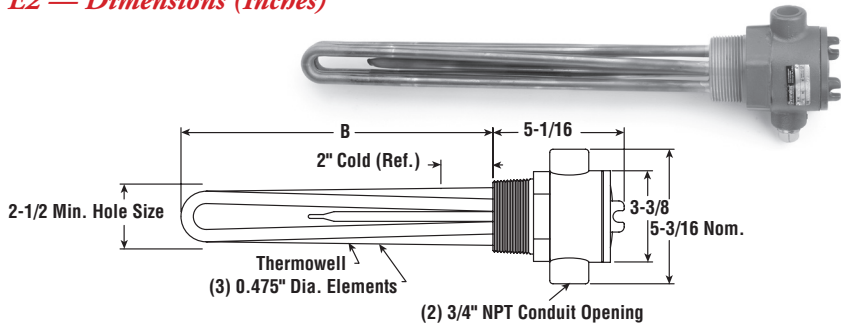
MTS-3 Process Water Applications (cont'd.)

- 2-1/2" NPT Stainless Steel Passivated Screw Plug
- Stainless Steel Passivated Sheath Elements
- High Watt Density (46 - 53 W/In²)
- 3 - 18 kW
- Without Thermostat
- 120, 208, 240 and 480 Volt, 1 & 3 Phase
- General Purpose, Moisture Resistant/Explosion Resistant Terminal Enclosure or Moisture Resistant

E1 — Dimensions (Inches)

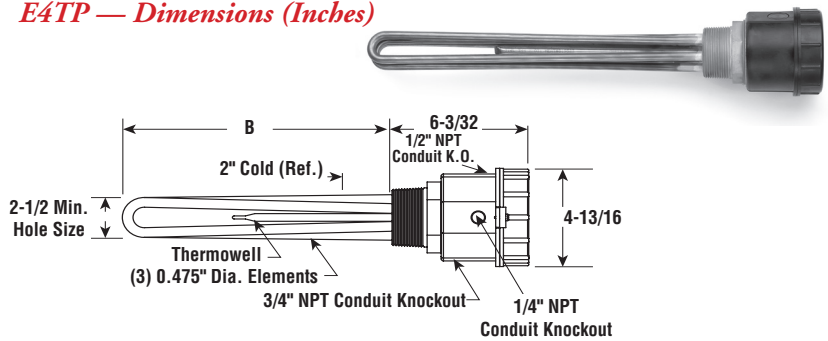


E2 — Dimensions (Inches)



SCREW PLUG

E4TP — Dimensions (Inches)



Specifications and Ordering Information

| | | | | | | | E1 General Purpose ¹ | | | | E2 Moisture Resistant/ Explosion Resistant ² | | | | E4 Moisture Resistant | | | |
|----|-------|-------|-------------------|-----------|-------------|------------------|---------------------------------|---------------|------------|-------------------|--|---------------|------------|---------------|-----------------------|--------|------------|--|
| kW | Volts | Phase | W/In ² | No. Elem. | DIM B (In.) | Model | Stock | PCN | Wt. (Lbs.) | Model | Stock | PCN | Wt. (Lbs.) | Model | Stock | PCN | Wt. (Lbs.) | |
| 12 | 208 | 1 | 46 | 3 | 31-7/8 | MTS-3120A* | NS | 186984 | 9 | MTS-3120E2* | NS | 186992 | 12 | MTS-3120E4TP* | NS | 064910 | 9 | |
| 12 | 208 | 3 | 46 | 3 | 31-7/8 | MTS-3120A | NS | 187004 | 9 | MTS-3120E2 | NS | 187012 | 12 | MTS-3120E4TP | NS | 064928 | 9 | |
| 12 | 240 | 1 | 46 | 3 | 31-7/8 | MTS-3120A* | NS | 192250 | 9 | MTS-3120E2* | NS | 290001 | 12 | MTS-3120E4TP* | NS | 064936 | 9 | |
| 12 | 480 | 1 | 46 | 3 | 31-7/8 | MTS-3120A | S | 192284 | 9 | MTS-3120E2 | NS | 290010 | 12 | MTS-3120E4TP | NS | 064944 | 9 | |
| 12 | 240 | 3 | 46 | 3 | 31-7/8 | MTS-3120A | NS | 192268 | 9 | MTS-3120E2 | NS | 290028 | 12 | MTS-3120E4TP | NS | 064952 | 9 | |
| 12 | 480 | 3 | 46 | 3 | 31-7/8 | MTS-3120A | S | 192292 | 9 | MTS-3120E2 | S | 290036 | 12 | MTS-3120E4TP | NS | 064960 | 9 | |
| 15 | 208 | 1 | 46 | 3 | 39-3/8 | MTS-3150A* | NS | 187020 | 10 | MTS-3150E2* | NS | 310914 | 13 | MTS-3150E4TP* | NS | 064979 | 10 | |
| 15 | 208 | 3 | 46 | 3 | 39-3/8 | MTS-3150A | NS | 187047 | 10 | MTS-3150E2 | NS | 187055 | 13 | MTS-3150E4TP | NS | 064987 | 10 | |
| 15 | 240 | 1 | 46 | 3 | 39-3/8 | MTS-3150A* | NS | 192313 | 10 | MTS-3150E2* | NS | 290044 | 13 | MTS-3150E4TP* | NS | 064995 | 10 | |
| 15 | 480 | 1 | 46 | 3 | 39-3/8 | MTS-3150A | NS | 192348 | 10 | MTS-3150E2 | NS | 290052 | 13 | MTS-3150E4TP | NS | 065007 | 10 | |
| 15 | 240 | 3 | 46 | 3 | 39-3/8 | MTS-3150A | NS | 192321 | 10 | MTS-3150E2 | NS | 290060 | 13 | MTS-3150E4TP | NS | 065015 | 10 | |
| 15 | 480 | 3 | 46 | 3 | 39-3/8 | MTS-3150A | S | 192356 | 10 | MTS-3150E2 | S | 290079 | 13 | MTS-3150E4TP | NS | 065023 | 10 | |
| 18 | 208 | 1 | 51 | 3 | 46-7/8 | MTS-3180A* | NS | 187063 | 12 | MTS-3180E2* | NS | 310930 | 15 | MTS-3180E4TP* | NS | 065031 | 12 | |
| 18 | 208 | 3 | 51 | 3 | 46-7/8 | MTS-3180A* | NS | 187080 | 12 | MTS-3180E2* | NS | 187098 | 15 | MTS-3180E4TP* | NS | 065040 | 12 | |
| 18 | 240 | 1 | 51 | 3 | 46-7/8 | MTS-3180A* | NS | 192372 | 12 | MTS-3180E2* | NS | 290087 | 15 | MTS-3180E4TP* | NS | 065058 | 12 | |
| 18 | 240 | 1 | 51 | 3 | 46-7/8 | MTS-3180A | NS | 192401 | 12 | MTS-3180E2 | NS | 290095 | 15 | MTS-3180E4TP | NS | 065066 | 12 | |
| 18 | 480 | 1 | 51 | 3 | 46-7/8 | MTS-3180A | NS | 192380 | 12 | MTS-3180E2 | NS | 290108 | 15 | MTS-3180E4TP | NS | 065074 | 12 | |
| 18 | 480 | 3 | 51 | 3 | 46-7/8 | MTS-3180A | S | 192410 | 12 | MTS-3180E2 | S | 290116 | 15 | MTS-3180E4TP | NS | 065082 | 12 | |

Stock Status: S = stock NS = non-stock
To Order—Specify model, volts, phase, kW, PCN and quantity.

1. Heaters with General Purpose Enclosures are UL Listed and CSA Certified except Models with *(Exceeds 48 Amps).
2. Heaters with Moisture Resistant/Explosion Resistant Enclosures are CSA NRTL/C Certified except Models with *(Exceeds 48 Amps).



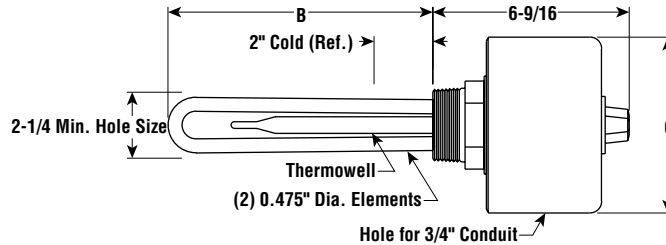
Same-day shipping on stock item orders received before 4 pm CST.
3-day shipping on assembly-stock items.

ARMTI-2 Solution Water Applications



- 2" NPT Stainless Steel Screw Plug
- INCOLOY® Sheath Elements
- High Watt Density (46 - 51 W/in²)
- 2 - 15 kW
- Integral Thermostat (DPST)
- 240 and 480 Volt, Single Phase
- General Purpose Terminal Enclosure

E1 — Dimensions (Inches)



Specifications and Ordering Information

| | | | | | | | T2 — Temperature (60 - 250°F) | | | T1 — Temperature (0 - 100°F) | | |
|---------------------------|-------|-------|-------------------|-----------|-------------|------------|-------------------------------|-------|--------|------------------------------|-------|--------|
| kW | Volts | Phase | W/in ² | No. Elem. | DIM B (In.) | Wt. (Lbs.) | Model | Stock | PCN | Model | Stock | PCN |
| E1 General Purpose | | | | | | | | | | | | |
| 2 | 240 | 1 | 51 | 2 | 8 | 6 | ARMTI-2205-3T2 | NS | 187987 | ARMTI-2205-3T1 | NS | 187995 |
| 2 | 480 | 1 | 51 | 2 | 8 | 6 | ARMTI-2205-3T2 | NS | 188023 | ARMTI-2205-3T1 | NS | 188031 |
| 2.5 | 240 | 1 | 51 | 2 | 9 | 7 | ARMTI-2255T2 | NS | 188066 | ARMTI-2255T1 | NS | 188074 |
| 2.5 | 480 | 1 | 51 | 2 | 9 | 7 | ARMTI-2255T2 | NS | 188103 | ARMTI-2255T1 | NS | 188111 |
| 3 | 240 | 1 | 48 | 2 | 12 | 7 | ARMTI-2305T2 | NS | 188146 | ARMTI-2305T1 | NS | 188154 |
| 3 | 480 | 1 | 48 | 2 | 12 | 7 | ARMTI-2305T2 | NS | 188189 | ARMTI-2305T1 | NS | 188197 |
| 4 | 240 | 1 | 47 | 2 | 17-1/2 | 7 | ARMTI-2405T2 | NS | 188226 | ARMTI-2405T1 | NS | 188234 |
| 4 | 480 | 1 | 47 | 2 | 17-1/2 | 7 | ARMTI-2405T2 | NS | 188269 | ARMTI-2405T1 | NS | 188277 |
| 5 | 240 | 1 | 46 | 2 | 19-5/8 | 8 | ARMTI-2505T2 | NS | 188306 | ARMTI-2505T1 | NS | 188314 |
| 5 | 480 | 1 | 46 | 2 | 19-5/8 | 8 | ARMTI-2505T2 | NS | 188349 | ARMTI-2505T1 | NS | 188347 |
| 6 | 240 | 1 | 46 | 2 | 25-1/16 | 8 | ARMTI-2605T2 | NS | 188381 | ARMTI-2605T1 | NS | 188390 |
| 6 | 480 | 1 | 46 | 2 | 25-1/16 | 8 | ARMTI-2605T2 | NS | 188429 | ARMTI-2605T1 | NS | 188437 |
| 7 | 240 | 1 | 49 | 2 | 28-1/8 | 9 | ARMTI-2705T2 | NS | 188461 | ARMTI-2705T1 | NS | 188470 |
| 7 | 480 | 1 | 49 | 2 | 28-1/8 | 9 | ARMTI-2705T2 | NS | 188509 | ARMTI-2705T1 | NS | 188517 |
| 10 | 240 | 1 | 46 | 2 | 40-5/8 | 10 | ARMTI-21005T2 | NS | 188541 | ARMTI-21005T1 | NS | 188550 |
| 10 | 480 | 1 | 46 | 2 | 40-5/8 | 10 | ARMTI-21005T2 | NS | 188584 | ARMTI-21005T1 | NS | 188592 |
| 12 | 240 | 1 | 46 | 2 | 47-5/8 | 11 | ARMTI-21205T2 ¹ | NS | 188621 | ARMTI-21205T1 ¹ | NS | 188630 |
| 12 | 480 | 1 | 46 | 2 | 47-5/8 | 11 | ARMTI-21205T2 | NS | 188664 | ARMTI-21205T1 | NS | 188672 |
| 15 | 240 | 1 | 50 | 2 | 54 | 12 | ARMTI-21505T2 ¹ | NS | 188701 | ARMTI-21505T1 ¹ | NS | 188710 |
| 15 | 480 | 1 | 50 | 2 | 54 | 12 | ARMTI-21505T2 | NS | 188744 | ARMTI-21505T1 | NS | 188752 |

Stock Status: S = stock NS = non-stock
To Order—Specify model, volts, phase, kW, PCN and quantity.

1. Not UL Listed or CSA Certified (Exceeds 48 Amps).



Same-day shipping on stock item orders received before 4 pm CST.
 3-day shipping on assembly-stock items.

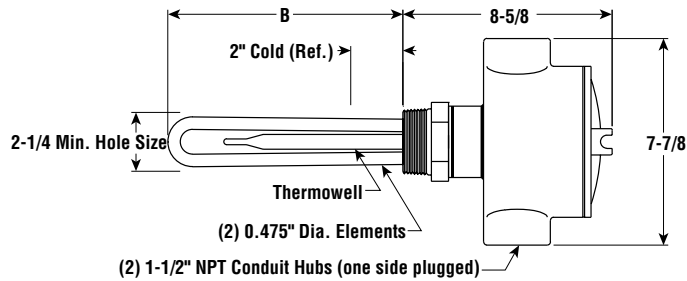
ARMTI-2

Solution Water Applications *(cont'd.)*



- 2" NPT Stainless Steel Screw Plug
- INCOLOY® Sheath Elements
- High Watt Density (46 - 51 W/in²)
- 2 - 15 kW
- Integral Thermostat (DPST)
- 240 and 480 Volt, Single Phase
- Moisture Resistant/Explosion Resistant Terminal Enclosure

E2 — Dimensions (Inches)



SCREW PLUG

Specifications and Ordering Information

| | | | | | | | T2 — Temperature (60 - 250°F) | | | T1 — Temperature (0 - 100°F) | | |
|---|-------|-------|-------------------|-----------|-------------|------------|-------------------------------|-------|--------|------------------------------|-------|--------|
| kW | Volts | Phase | W/in ² | No. Elem. | DIM B (In.) | Wt. (Lbs.) | Model | Stock | PCN | Model | Stock | PCN |
| E2 Moisture Resistant /Explosion Resistant | | | | | | | | | | | | |
| 2 | 240 | 1 | 51 | 2 | 8 | 12 | ARMTI-2205-3E2T2 | NS | 188007 | ARMTI-2205-3E2T1 | NS | 188015 |
| 2 | 480 | 1 | 51 | 2 | 8 | 12 | ARMTI-2205-3E2T2 | NS | 188040 | ARMTI-2205-3E2T1 | NS | 188058 |
| 2.5 | 240 | 1 | 51 | 2 | 9 | 13 | ARMTI-2255E2T2 | NS | 188082 | ARMTI-2255E2T1 | NS | 188090 |
| 2.5 | 480 | 1 | 51 | 2 | 9 | 13 | ARMTI-2255E2T2 | NS | 188120 | ARMTI-2255E2T1 | NS | 188138 |
| 3 | 240 | 1 | 48 | 2 | 12 | 13 | ARMTI-2305E2T2 | NS | 188162 | ARMTI-2305E2T1 | NS | 188170 |
| 3 | 480 | 1 | 48 | 2 | 12 | 13 | ARMTI-2305E2T2 | NS | 188200 | ARMTI-2305E2T1 | NS | 188218 |
| 4 | 240 | 1 | 47 | 2 | 17-1/2 | 13 | ARMTI-2405E2T2 | NS | 188242 | ARMTI-2405E2T1 | NS | 188250 |
| 4 | 480 | 1 | 47 | 2 | 17-1/2 | 13 | ARMTI-2405E2T2 | NS | 188285 | ARMTI-2405E2T1 | NS | 188293 |
| 5 | 240 | 1 | 46 | 2 | 19-5/8 | 14 | ARMTI-2505E2T2 | NS | 188322 | ARMTI-2505E2T1 | NS | 188330 |
| 5 | 480 | 1 | 46 | 2 | 19-5/8 | 14 | ARMTI-2505E2T2 | NS | 188365 | ARMTI-2505E2T1 | NS | 188373 |
| 6 | 240 | 1 | 46 | 2 | 25-1/16 | 14 | ARMTI-2605E2T2 | NS | 188402 | ARMTI-2605E2T1 | NS | 188410 |
| 6 | 480 | 1 | 46 | 2 | 25-1/16 | 14 | ARMTI-2605E2T2 | NS | 188445 | ARMTI-2605E2T1 | NS | 188453 |
| 7 | 240 | 1 | 49 | 2 | 28-1/8 | 15 | ARMTI-2705E2T2 | NS | 188488 | ARMTI-2705E2T1 | NS | 188496 |
| 7 | 480 | 1 | 49 | 2 | 28-1/8 | 15 | ARMTI-2705E2T2 | NS | 188525 | ARMTI-2705E2T1 | NS | 188533 |
| 10 | 240 | 1 | 46 | 2 | 40-5/8 | 16 | ARMTI-21005E2T2 | NS | 188568 | ARMTI-21005E2T1 | NS | 188576 |
| 10 | 480 | 1 | 46 | 2 | 40-5/8 | 16 | ARMTI-21005E2T2 | NS | 188605 | ARMTI-21005E2T1 | NS | 188613 |
| 12 | 240 | 1 | 46 | 2 | 47-5/8 | 17 | ARMTI-21205E2T2 ¹ | NS | 188648 | ARMTI-21205E2T1 ¹ | NS | 188656 |
| 12 | 480 | 1 | 46 | 2 | 47-5/8 | 17 | ARMTI-21205E2T2 | NS | 188680 | ARMTI-21205E2T1 | NS | 188699 |
| 15 | 240 | 1 | 50 | 2 | 54 | 18 | ARMTI-21505E2T2 ¹ | NS | 188728 | ARMTI-21505E2T1 ¹ | NS | 188736 |
| 15 | 480 | 1 | 50 | 2 | 54 | 18 | ARMTI-21505E2T2 | NS | 188760 | ARMTI-21505E2T1 | NS | 188779 |

Stock Status: S = stock NS = non-stock
To Order—Specify model, volts, phase, kW, PCN and quantity.

1. Not cCSA_{US}® Certified (Exceeds 48 Amps).



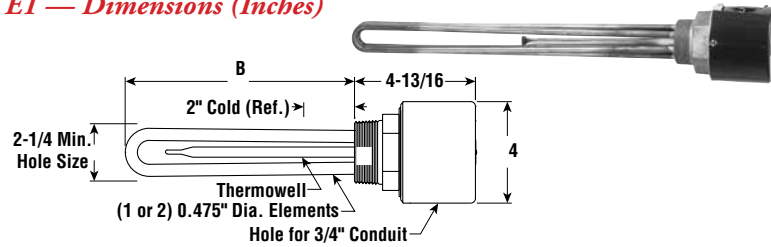
Same-day shipping on stock item orders received before 4 pm CST.
 3-day shipping on assembly-stock items.

Immersion

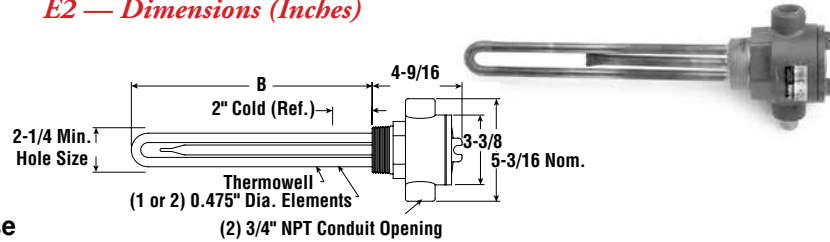
MTI-2 Solution Water Applications

- 2" NPT Stainless Steel Screw Plug
- INCOLOY® Sheath Elements
- High Watt Density (46 - 52 W/in²)
- 1.5 - 15 kW
- Without Thermostat
- 120, 240 and 480 Volt, Single Phase
- General Purpose, Moisture Resistant/Explosion Resistant Terminal Enclosure or Moisture Resistant

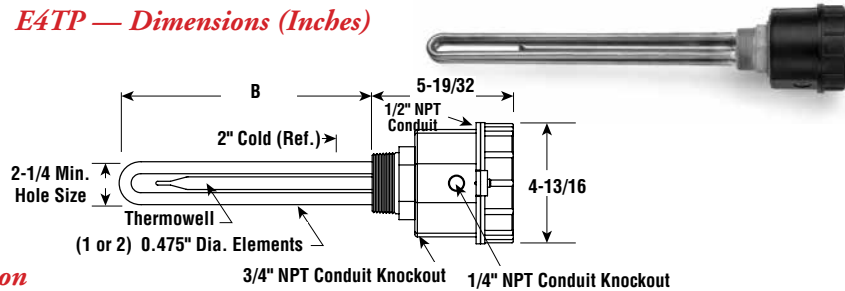
E1 — Dimensions (Inches)



E2 — Dimensions (Inches)



E4TP — Dimensions (Inches)



FASTShip

Same-day shipping on stock item orders received before 4 pm CST, 3-day shipping on assembly-stock items.

Specifications and Ordering Information

| | | | | | | E1 General Purpose ¹ | | | | E2 Moisture Resistant/ Explosion Resistant ² | | | | E4 Moisture Resistant | | | |
|-----|-------|-------|-------------------|-----------|-------------|---------------------------------|----------|---------------|------------|--|-------|--------|------------|-----------------------|-------|--------|------------|
| kW | Volts | Phase | W/in ² | No. Elem. | DIM B (In.) | Model | Stock | PCN | Wt. (Lbs.) | Model | Stock | PCN | Wt. (Lbs.) | Model | Stock | PCN | Wt. (Lbs.) |
| 1.5 | 120 | 1 | 48 | 1 | 11-7/16 | MTI-215A | NS | 190262 | 3 | MTI-215E2 | NS | 185420 | 6 | MTI-215E4TP | NS | 062551 | 9 |
| 1.5 | 240 | 1 | 48 | 1 | 11-7/16 | MTI-215A | NS | 190270 | 3 | MTI-215E2 | NS | 185439 | 6 | MTI-215E4TP | NS | 062560 | 9 |
| 1.5 | 480 | 1 | 48 | 1 | 11-7/16 | MTI-215A | NS | 190289 | 3 | MTI-215E2 | NS | 185447 | 6 | MTI-215E4TP | NS | 062578 | 9 |
| 2 | 120 | 1 | 48 | 1 | 17-1/2 | MTI-220A | NS | 190297 | 4 | MTI-220E2 | NS | 185455 | 7 | MTI-220E4TP | NS | 062586 | 10 |
| 2 | 240 | 1 | 48 | 1 | 17-1/2 | MTI-220A | NS | 190300 | 4 | MTI-220E2 | NS | 185463 | 7 | MTI-220E4TP | NS | 062594 | 10 |
| 2 | 480 | 1 | 48 | 1 | 17-1/2 | MTI-220A | NS | 190318 | 4 | MTI-220E2 | NS | 185471 | 7 | MTI-220E4TP | NS | 062607 | 10 |
| 2 | 120 | 1 | 51 | 2 | 7-7/16 | MTI-220-3A | NS | 190326 | 4 | MTI-220-3E2 | NS | 185480 | 7 | MTI-220-3E4TP | NS | 062615 | 10 |
| 2 | 240 | 1 | 51 | 2 | 7-7/16 | MTI-220-3A | NS | 190334 | 4 | MTI-220-3E2 | NS | 185498 | 7 | MTI-220-3E4TP | NS | 062623 | 10 |
| 2 | 480 | 1 | 51 | 2 | 7-7/16 | MTI-220-3A | NS | 190342 | 4 | MTI-220-3E2 | NS | 185500 | 7 | MTI-220-3E4TP | NS | 062631 | 10 |
| 2.5 | 120 | 1 | 52 | 2 | 8-1/2 | MTI-225A | NS | 190350 | 4 | MTI-225E2 | NS | 185519 | 7 | MTI-225E4TP | NS | 062640 | 10 |
| 2.5 | 240 | 1 | 52 | 2 | 8-1/2 | MTI-225A | NS | 190369 | 4 | MTI-225E2 | NS | 185527 | 7 | MTI-225E4TP | NS | 062658 | 10 |
| 2.5 | 480 | 1 | 52 | 2 | 8-1/2 | MTI-225A | NS | 190377 | 4 | MTI-225E2 | NS | 185535 | 7 | MTI-225E4TP | NS | 062666 | 10 |
| 3 | 120 | 1 | 48 | 2 | 11-7/16 | MTI-230A | NS | 190385 | 5 | MTI-230E2 | NS | 185543 | 8 | MTI-230E4TP | NS | 062674 | 11 |
| 3 | 240 | 1 | 48 | 2 | 11-7/16 | MTI-230A | NS | 190393 | 5 | MTI-230E2 | NS | 185551 | 8 | MTI-230E4TP | NS | 062682 | 11 |
| 3 | 480 | 1 | 48 | 2 | 11-7/16 | MTI-230A | NS | 190406 | 5 | MTI-230E2 | NS | 185560 | 8 | MTI-230E4TP | NS | 062690 | 11 |
| 4 | 120 | 1 | 48 | 2 | 17-1/2 | MTI-240A | NS | 190414 | 5 | MTI-240E2 | NS | 185578 | 8 | MTI-240E4TP | NS | 062703 | 11 |
| 4 | 240 | 1 | 48 | 2 | 17-1/2 | MTI-240A | S | 190422 | 5 | MTI-240E2 | NS | 185586 | 8 | MTI-240E4TP | NS | 062711 | 11 |
| 4 | 480 | 1 | 48 | 2 | 17-1/2 | MTI-240A | NS | 190430 | 5 | MTI-240E2 | NS | 185594 | 8 | MTI-240E4TP | NS | 062720 | 11 |
| 5 | 120 | 1 | 47 | 2 | 19-1/4 | MTI-250A | NS | 190449 | 5 | MTI-250E2 | NS | 185607 | 8 | MTI-250E4TP | NS | 062738 | 11 |
| 5 | 240 | 1 | 47 | 2 | 19-1/4 | MTI-250A | S | 190457 | 5 | MTI-250E2 | NS | 185615 | 8 | MTI-250E4TP | NS | 062746 | 11 |
| 5 | 480 | 1 | 47 | 2 | 19-1/4 | MTI-250A | NS | 190465 | 5 | MTI-250E2 | NS | 185623 | 8 | MTI-250E4TP | NS | 062754 | 11 |
| 6 | 240 | 1 | 47 | 2 | 24-19/32 | MTI-260A | NS | 190473 | 5 | MTI-260E2 | NS | 185631 | 8 | MTI-260E4TP | NS | 062762 | 11 |
| 6 | 480 | 1 | 47 | 2 | 24-19/32 | MTI-260A | NS | 190481 | 5 | MTI-260E2 | NS | 185640 | 8 | MTI-260E4TP | NS | 062770 | 11 |
| 7 | 240 | 1 | 49 | 2 | 27-1/2 | MTI-270A | NS | 190490 | 6 | MTI-270E2 | NS | 185658 | 9 | MTI-270E4TP | NS | 062789 | 12 |
| 7 | 480 | 1 | 49 | 2 | 27-1/2 | MTI-270A | NS | 190502 | 6 | MTI-270E2 | NS | 185666 | 9 | MTI-270E4TP | NS | 062797 | 12 |
| 10 | 240 | 1 | 46 | 2 | 40-1/32 | MTI-2100A | NS | 190510 | 8 | MTI-2100E2 | NS | 185674 | 11 | MTI-2100E4TP | NS | 062498 | 14 |
| 10 | 480 | 1 | 46 | 2 | 40-1/32 | MTI-2100A | NS | 190529 | 8 | MTI-2100E2 | NS | 185682 | 11 | MTI-2100E4TP | NS | 062500 | 14 |
| 12 | 240 | 1 | 46 | 2 | 47-9/16 | MTI-2120A* | NS | 190537 | 8 | MTI-2120E2* | NS | 185690 | 11 | MTI-2120E4TP* | NS | 062519 | 14 |
| 12 | 480 | 1 | 46 | 2 | 47-9/16 | MTI-2120A | NS | 190545 | 8 | MTI-2120E2 | NS | 185703 | 11 | MTI-2120E4TP | NS | 062527 | 14 |
| 15 | 240 | 1 | 50 | 2 | 53-19/32 | MTI-2150A* | NS | 190553 | 8 | MTI-2150E2* | NS | 185711 | 11 | MTI-2150E4TP* | NS | 062535 | 14 |
| 15 | 480 | 1 | 50 | 2 | 53-19/32 | MTI-2150A | NS | 190561 | 8 | MTI-2150E2 | NS | 185720 | 11 | MTI-2150E4TP | NS | 062543 | 14 |

Stock Status: S = stock NS = non-stock
To Order—Specify model, volts, phase, kW, PCN and quantity.

1. Heaters with General Purpose Enclosures are UL Listed and CSA Certified except Models with *(Exceeds 48 Amps).
2. Heaters with Moisture Resistant/Explosion Resistant Enclosures are _cCSA_{US}® Certified except Models with *(Exceeds 48 Amps).

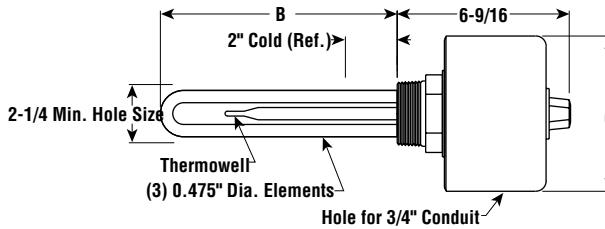
Immersion

AREMTI-3 Solution Water Applications

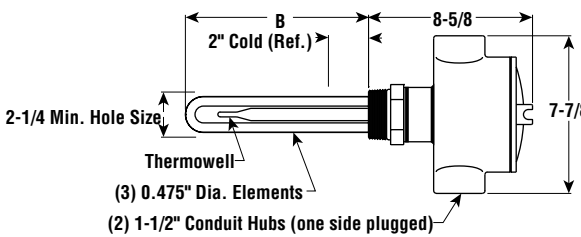
- 2" NPT Stainless Steel Screw Plug
- INCOLOY® Sheath Elements
- High Watt Density (45 W/In²)
- 3 - 18 kW
- Integral Thermostat (DPST)
- 120, 240 and 480 Volt, Three Phase
- General Purpose or Moisture Resistant/Explosion Resistant Terminal Enclosure



E1 — Dimensions (Inches)



E2 — Dimensions (Inches)



SCREW PLUG

Specifications and Ordering Information

| kW | Volts | Phase | W/In ² | No. Elem. | DIM B (In.) | Wt. (Lbs.) | T2 — Temperature (60 - 250°F) | | | T1 — Temperature (0 - 100°F) | | |
|--|-------|-------|-------------------|-----------|-------------|------------|-------------------------------|----------|---------------|------------------------------|-------|--------|
| | | | | | | | Model | Stock | PCN | Model | Stock | PCN |
| E1 General Purpose¹ | | | | | | | | | | | | |
| 3 | 240 | 3 | 45 | 3 | 7-3/4 | 7 | AREMTI-3305T2 | NS | 097990 | AREMTI-3305T1 | NS | 032213 |
| 3 | 480 | 3 | 45 | 3 | 7-3/4 | 7 | AREMTI-3305T2 | NS | 098001 | AREMTI-3305T1 | NS | 032221 |
| 6 | 240 | 3 | 45 | 3 | 17-3/4 | 8 | AREMTI-3605T2 | S | 099160 | AREMTI-3605T1 | NS | 032230 |
| 6 | 480 | 3 | 45 | 3 | 17-3/4 | 8 | AREMTI-3605T2 | S | 099178 | AREMTI-3605T1 | NS | 032248 |
| 9 | 240 | 3 | 45 | 3 | 24-7/8 | 9 | AREMTI-3905T2 | S | 099186 | AREMTI-3905T1 | NS | 032256 |
| 9 | 480 | 3 | 45 | 3 | 24-7/8 | 9 | AREMTI-3905T2 | NS | 099194 | AREMTI-3905T1 | NS | 032264 |
| 12 | 240 | 3 | 45 | 3 | 32-7/16 | 10 | AREMTI-31205T2 | NS | 099207 | AREMTI-31205T1 | NS | 032272 |
| 12 | 480 | 3 | 45 | 3 | 32-7/16 | 10 | AREMTI-31205T2 | S | 099215 | AREMTI-31205T1 | NS | 032280 |
| 15 | 240 | 3 | 45 | 3 | 40-3/8 | 11 | AREMTI-31505T2 | NS | 099223 | AREMTI-31505T1 | NS | 032299 |
| 15 | 480 | 3 | 45 | 3 | 40-3/8 | 11 | AREMTI-31505T2 | S | 099231 | AREMTI-31505T1 | NS | 032301 |
| 18 | 240 | 3 | 45 | 3 | 47-7/8 | 12 | AREMTI-31805T2 | NS | 099240 | AREMTI-31805T1 | NS | 032310 |
| 18 | 480 | 3 | 45 | 3 | 47-7/8 | 12 | AREMTI-31805T2 | S | 099258 | AREMTI-31805T1 | NS | 032328 |
| E2 Moisture Resistant/Explosion Resistant² | | | | | | | | | | | | |
| 3 | 240 | 3 | 45 | 3 | 7-3/4 | 12 | AREMTI-3305E2T2 | NS | 032336 | AREMTI-3305E2T1 | NS | 032459 |
| 3 | 480 | 3 | 45 | 3 | 7-3/4 | 12 | AREMTI-3305E2T2 | NS | 032344 | AREMTI-3305E2T1 | NS | 032467 |
| 6 | 240 | 3 | 45 | 3 | 17-3/4 | 13 | AREMTI-3605E2T2 | NS | 032352 | AREMTI-3605E2T1 | NS | 032475 |
| 6 | 480 | 3 | 45 | 3 | 17-3/4 | 13 | AREMTI-3605E2T2 | NS | 032360 | AREMTI-3605E2T1 | NS | 032483 |
| 9 | 240 | 3 | 45 | 3 | 24-7/8 | 14 | AREMTI-3905E2T2 | NS | 032379 | AREMTI-3905E2T1 | NS | 032491 |
| 9 | 480 | 3 | 45 | 3 | 24-7/8 | 14 | AREMTI-3905E2T2 | NS | 032387 | AREMTI-3905E2T1 | NS | 032504 |
| 12 | 240 | 3 | 45 | 3 | 32-7/16 | 15 | AREMTI-31205E2T2 | NS | 032395 | AREMTI-31205E2T1 | NS | 032512 |
| 12 | 480 | 3 | 45 | 3 | 32-7/16 | 15 | AREMTI-31205E2T2 | NS | 032408 | AREMTI-31205E2T1 | NS | 032520 |
| 15 | 240 | 3 | 45 | 3 | 40-3/8 | 16 | AREMTI-31505E2T2 | NS | 032416 | AREMTI-31505E2T1 | NS | 032539 |
| 15 | 480 | 3 | 45 | 3 | 40-3/8 | 16 | AREMTI-31505E2T2 | NS | 032424 | AREMTI-31505E2T1 | NS | 032547 |
| 18 | 240 | 3 | 45 | 3 | 47-7/8 | 17 | AREMTI-31805E2T2 | NS | 032432 | AREMTI-31805E2T1 | NS | 032555 |
| 18 | 480 | 3 | 45 | 3 | 47-7/8 | 17 | AREMTI-31805E2T2 | NS | 032440 | AREMTI-31805E2T1 | NS | 032563 |

Stock Status: S = stock NS = non-stock
To Order—Specify model, volts, phase, kW, PCN and quantity.

1. Heaters with General Purpose Enclosures are UL Listed and CSA Certified.
2. Heaters with Moisture Resistant/Explosion Resistant Enclosures are ^CCSA_{US}® Certified.

FASTShip

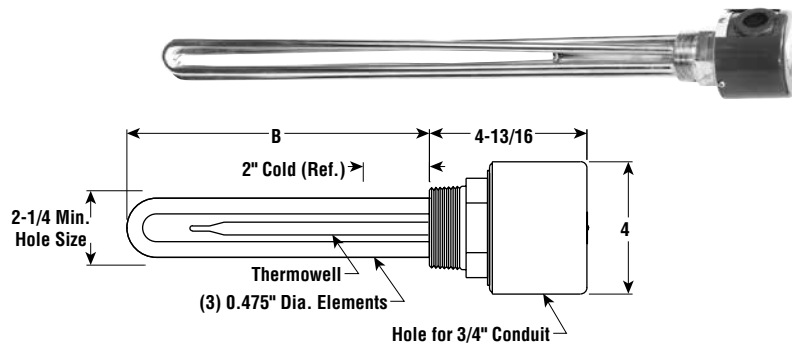
Same-day shipping on stock item orders received before 4 pm CST. 3-day shipping on assembly-stock items.

Immersion

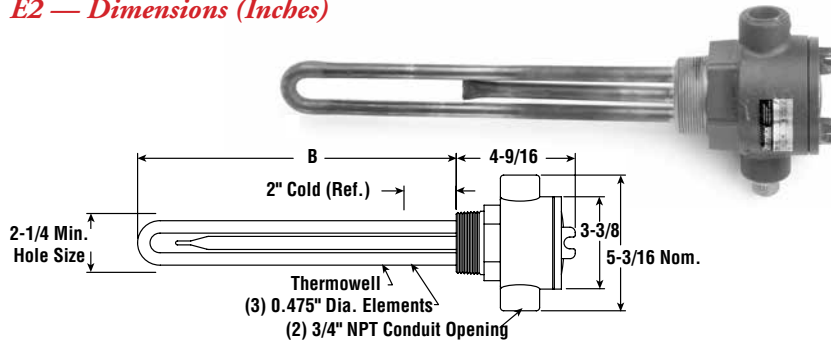
EMTI-3 Solution Water Applications

- 2" NPT Stainless Steel Screw Plug
- INCOLOY® Sheath Elements
- High Watt Density (45 W/in²)
- 3 - 18 kW
- Without Thermostat
- 240 and 480 Volt, Three Phase
- General Purpose, Moisture Resistant/Explosion Resistant Terminal Enclosure, Moisture Resistant

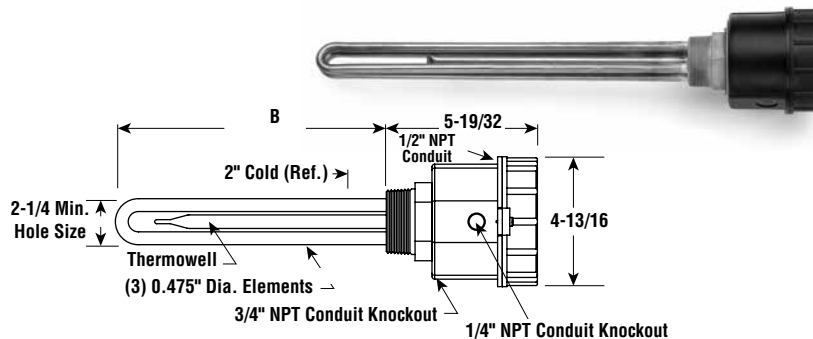
E1 — Dimensions (Inches)



E2 — Dimensions (Inches)



E4TP — Dimensions (Inches)



Specifications and Ordering Information

| | | | | | | E1 General Purpose ¹ | | | | E2 Moisture Resistant/Explosion Resistant ² | | | | E4 Moisture Resistant | | | |
|----|-------|-------|-------------------|-----------|-------------|---------------------------------|-------|--------|------------|--|-------|--------|------------|-----------------------|-------|--------|------------|
| kW | Volts | Phase | W/in ² | No. Elem. | DIM B (In.) | Model | Stock | PCN | Wt. (Lbs.) | Model | Stock | PCN | Wt. (Lbs.) | Model | Stock | PCN | Wt. (Lbs.) |
| 3 | 240 | 3 | 45 | 3 | 7-3/4 | EMTI-330 | NS | 097877 | 5 | EMTI-330E2 | NS | 032571 | 8 | EMTI-330E4TP | NS | 061030 | 11 |
| 3 | 480 | 3 | 45 | 3 | 7-3/4 | EMTI-330 | NS | 097885 | 5 | EMTI-330E2 | NS | 032580 | 8 | EMTI-330E4TP | NS | 061049 | 11 |
| 6 | 240 | 3 | 45 | 3 | 17-3/4 | EMTI-360 | NS | 097893 | 6 | EMTI-360E2 | NS | 032598 | 9 | EMTI-360E4TP | NS | 061057 | 12 |
| 6 | 480 | 3 | 45 | 3 | 17-3/4 | EMTI-360 | NS | 097906 | 6 | EMTI-360E2 | NS | 032600 | 9 | EMTI-360E4TP | NS | 061065 | 12 |
| 9 | 240 | 3 | 45 | 3 | 24-7/8 | EMTI-390 | NS | 097914 | 7 | EMTI-390E2 | NS | 032619 | 10 | EMTI-390E4TP | NS | 061073 | 13 |
| 9 | 480 | 3 | 45 | 3 | 24-7/8 | EMTI-390 | NS | 097922 | 7 | EMTI-390E2 | NS | 032627 | 10 | EMTI-390E4TP | NS | 061081 | 13 |
| 12 | 240 | 3 | 45 | 3 | 32-7/16 | EMTI-3120 | NS | 097930 | 9 | EMTI-3120E2 | NS | 032635 | 12 | EMTI-3120E4TP | NS | 060978 | 15 |
| 12 | 480 | 3 | 45 | 3 | 32-7/16 | EMTI-3120 | NS | 097949 | 9 | EMTI-3120E2 | NS | 032643 | 12 | EMTI-3120E4TP | NS | 060986 | 15 |
| 15 | 240 | 3 | 45 | 3 | 40-3/8 | EMTI-3150 | NS | 097957 | 10 | EMTI-3150E2 | NS | 032651 | 13 | EMTI-3150E4TP | NS | 060994 | 16 |
| 15 | 480 | 3 | 45 | 3 | 40-3/8 | EMTI-3150 | NS | 097965 | 10 | EMTI-3150E2 | NS | 032660 | 13 | EMTI-3150E4TP | NS | 061006 | 16 |
| 18 | 240 | 3 | 45 | 3 | 47-7/8 | EMTI-3180 | NS | 097973 | 12 | EMTI-3180E2 | NS | 032678 | 15 | EMTI-3180E4TP | NS | 061014 | 18 |
| 18 | 480 | 3 | 45 | 3 | 47-7/8 | EMTI-3180 | NS | 097981 | 12 | EMTI-3180E2 | NS | 032686 | 15 | EMTI-3180E4TP | NS | 061022 | 18 |

Stock Status: S = stock NS = non-stock
To Order—Specify model, volts, phase, kW, PCN and quantity.



1. Heaters with General Purpose Enclosures are UL Listed and CSA Certified.
2. Heaters with Moisture Resistant/Explosion Resistant Enclosures are cCSA_{US}® Certified.

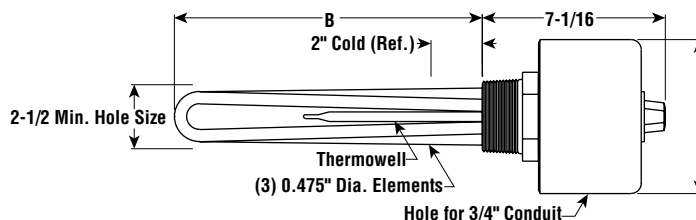
Same-day shipping on stock item orders received before 4 pm CST.
3-day shipping on assembly-stock items.

ARMTI-3 Solution Water Applications



- 2-1/2" NPT Stainless Steel Screw Plug
- INCOLOY® Sheath Elements
- High Watt Density (46 - 53 W/in²)
- 3 - 18 kW
- Integral Thermostat (DPST)
- 240 and 480 Volt, Three Phase
- General Purpose Terminal Enclosure

E1 — Dimensions (Inches)



SCREW PLUG

Specifications and Ordering Information

| | | | | | | | T2 — Temperature (60 - 250°F) | | | T1 — Temperature (0 - 100°F) | | |
|---------------------------------------|-------|-------|-------------------|-----------|-------------|------------|-------------------------------|-------|--------|------------------------------|-------|--------|
| kW | Volts | Phase | W/in ² | No. Elem. | DIM B (In.) | Wt. (Lbs.) | Model | Stock | PCN | Model | Stock | PCN |
| E1 General Purpose¹ | | | | | | | | | | | | |
| 3 | 240 | 3 | 51 | 3 | 7 | 8 | ARMTI-3305T2 | NS | 188787 | ARMTI-3305T1 | NS | 188795 |
| 3 | 480 | 3 | 51 | 3 | 7 | 8 | ARMTI-3305T2 | NS | 188824 | ARMTI-3305T1 | NS | 188832 |
| 4.5 | 240 | 3 | 48 | 3 | 11 | 8 | ARMTI-3455T2 | NS | 188867 | ARMTI-3455T1 | NS | 188875 |
| 4.5 | 480 | 3 | 48 | 3 | 11 | 8 | ARMTI-3455T2 | NS | 188904 | ARMTI-3455T1 | NS | 188912 |
| 6 | 240 | 3 | 48 | 3 | 17-3/8 | 9 | ARMTI-3605T2 | NS | 188947 | ARMTI-3605T1 | NS | 188955 |
| 6 | 480 | 3 | 48 | 3 | 17-3/8 | 9 | ARMTI-3605T2 | NS | 188980 | ARMTI-3605T1 | NS | 188998 |
| 7.5 | 240 | 3 | 53 | 3 | 19 | 10 | ARMTI-3755T2 | NS | 189026 | ARMTI-3755T1 | NS | 189034 |
| 7.5 | 480 | 3 | 53 | 3 | 19 | 10 | ARMTI-3755T2 | NS | 189069 | ARMTI-3755T1 | NS | 189077 |
| 9 | 240 | 3 | 47 | 3 | 24-3/8 | 10 | ARMTI-3905T2 | NS | 189106 | ARMTI-3905T1 | NS | 189114 |
| 9 | 480 | 3 | 47 | 3 | 24-3/8 | 10 | ARMTI-3905T2 | NS | 189149 | ARMTI-3905T1 | NS | 189157 |
| 12 | 240 | 3 | 46 | 3 | 32-1/4 | 11 | ARMTI-3120T2 | NS | 189181 | ARMTI-3120T1 | NS | 189190 |
| 12 | 480 | 3 | 46 | 3 | 32-1/4 | 11 | ARMTI-3120T2 | NS | 189229 | ARMTI-3120T1 | NS | 189237 |
| 15 | 240 | 3 | 46 | 3 | 39-7/8 | 12 | ARMTI-3150T2 | NS | 189261 | ARMTI-3150T1 | NS | 189270 |
| 15 | 480 | 3 | 46 | 3 | 39-7/8 | 12 | ARMTI-3150T2 | NS | 189309 | ARMTI-3150T1 | NS | 189317 |
| 18 | 240 | 3 | 51 | 3 | 47-3/8 | 13 | ARMTI-3180T2 | NS | 189341 | ARMTI-3180T1 | NS | 189350 |
| 18 | 480 | 3 | 51 | 3 | 47-3/8 | 13 | ARMTI-3180T2 | NS | 189384 | ARMTI-3180T1 | NS | 189392 |

Stock Status: S = stock NS = non-stock
To Order—Specify model, volts, phase, kW, PCN and quantity.



1. Heaters with General Purpose Enclosures are UL Listed and CSA Certified.
2. Heaters with Moisture Resistant/Explosion Resistant Enclosures are c_CSA_{US}® Certified.

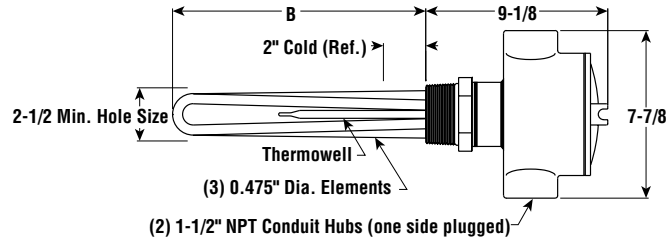
Same-day shipping on stock item orders received before 4 pm CST.
 3-day shipping on assembly-stock items.

ARMTI-3 Solution Water Applications *(cont'd.)*



- 2-1/2" NPT Stainless Steel Screw Plug
- INCOLOY® Sheath Elements
- High Watt Density (46 - 53 W/in²)
- 3 - 18 kW
- Integral Thermostat (DPST)
- 240 and 480 Volt, Three Phase
- Moisture Resistant/Explosion Resistant Terminal Enclosure

E2 — Dimensions (Inches)



Specifications and Ordering Information

| | | | | | | | T2 — Temperature (60 - 250°F) | | | T1 — Temperature (0 - 100°F) | | |
|--|-------|-------|-------------------|-----------|-------------|------------|-------------------------------|-------|--------|------------------------------|-------|--------|
| kW | Volts | Phase | W/in ² | No. Elem. | DIM B (In.) | Wt. (Lbs.) | Model | Stock | PCN | Model | Stock | PCN |
| E2 Moisture Resistant/Explosion Resistant² | | | | | | | | | | | | |
| 3 | 240 | 3 | 51 | 3 | 7 | 13 | ARMTI-3305E2T2 | NS | 188808 | ARMTI-3305E2T1 | NS | 188816 |
| 3 | 480 | 3 | 51 | 3 | 7 | 13 | ARMTI-3305E2T2 | NS | 188840 | ARMTI-3305E2T1 | NS | 188859 |
| 4.5 | 240 | 3 | 48 | 3 | 11 | 13 | ARMTI-3455E2T2 | NS | 188883 | ARMTI-3455E2T1 | NS | 188891 |
| 4.5 | 480 | 3 | 48 | 3 | 11 | 13 | ARMTI-3455E2T2 | NS | 188920 | ARMTI-3455E2T1 | NS | 188939 |
| 6 | 240 | 3 | 48 | 3 | 17-3/8 | 14 | ARMTI-3605E2T2 | NS | 188963 | ARMTI-3605E2T1 | NS | 188971 |
| 6 | 480 | 3 | 48 | 3 | 17-3/8 | 14 | ARMTI-3605E2T2 | NS | 189000 | ARMTI-3605E2T1 | NS | 189018 |
| 7.5 | 240 | 3 | 53 | 3 | 19 | 15 | ARMTI-3755E2T2 | NS | 189042 | ARMTI-3755E2T1 | NS | 189050 |
| 7.5 | 480 | 3 | 53 | 3 | 19 | 15 | ARMTI-3755E2T2 | NS | 189085 | ARMTI-3755E2T1 | NS | 189093 |
| 9 | 240 | 3 | 47 | 3 | 24-3/8 | 15 | ARMTI-3905E2T2 | NS | 189122 | ARMTI-3905E2T1 | NS | 189130 |
| 9 | 480 | 3 | 47 | 3 | 24-3/8 | 15 | ARMTI-3905E2T2 | NS | 189165 | ARMTI-3905E2T1 | NS | 189173 |
| 12 | 240 | 3 | 46 | 3 | 32-1/4 | 16 | ARMTI-3120E2T2 | NS | 189202 | ARMTI-3120E2T1 | NS | 189210 |
| 12 | 480 | 3 | 46 | 3 | 32-1/4 | 16 | ARMTI-3120E2T2 | NS | 189245 | ARMTI-3120E2T1 | NS | 189253 |
| 15 | 240 | 3 | 46 | 3 | 39-7/8 | 17 | ARMTI-3150E2T2 | NS | 189288 | ARMTI-3150E2T1 | NS | 189296 |
| 15 | 480 | 3 | 46 | 3 | 39-7/8 | 17 | ARMTI-3150E2T2 | NS | 189325 | ARMTI-3150E2T1 | NS | 189333 |
| 18 | 240 | 3 | 51 | 3 | 47-3/8 | 18 | ARMTI-3180E2T2 | NS | 189368 | ARMTI-3180E2T1 | NS | 189376 |
| 18 | 480 | 3 | 51 | 3 | 47-3/8 | 18 | ARMTI-3180E2T2 | NS | 189405 | ARMTI-3180E2T1 | NS | 189413 |

Stock Status: S = stock NS = non-stock
To Order—Specify model, volts, phase, kW, PCN and quantity.

1. Heaters with General Purpose Enclosures are UL Listed and CSA Certified.
2. Heaters with Moisture Resistant/Explosion Resistant Enclosures are _cCSA_{US}® Certified.

FASTShip[™]

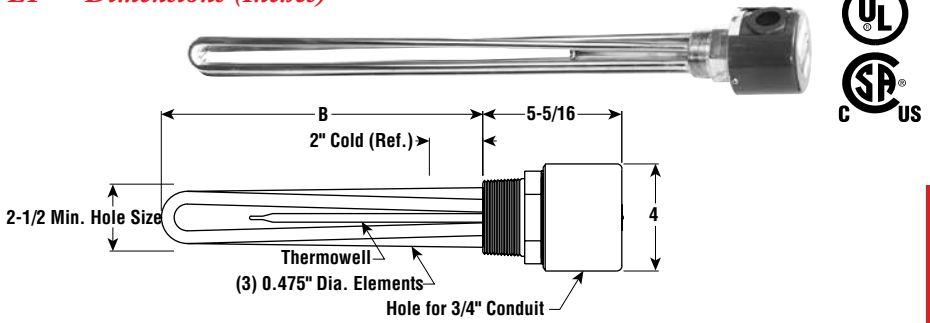
Same-day shipping on stock item orders received before 4 pm CST.
 3-day shipping on assembly-stock items.

Immersion

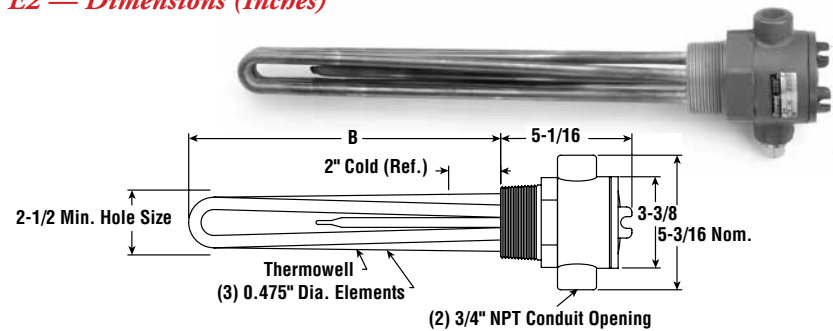
MTI-3 Solution Water Applications

- 2-1/2" NPT Stainless Steel Screw Plug
- INCOLOY® Sheath Elements
- High Watt Density (46 - 53 W/In²)
- 3 - 18 kW
- Without Thermostat
- 240 and 480 Volt, Three Phase
- General Purpose, Moisture Resistant/Explosion Resistant Terminal Enclosure or Moisture Resistant

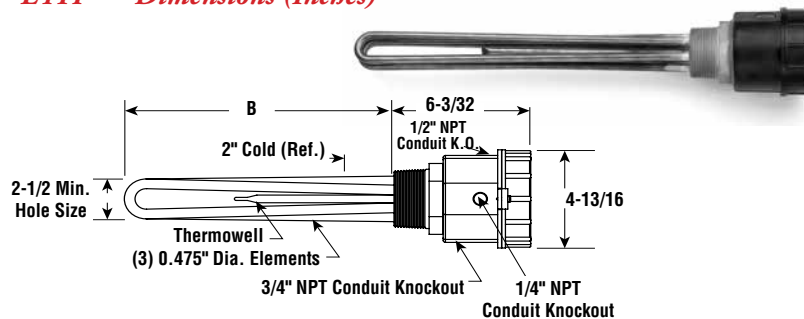
E1 — Dimensions (Inches)



E2 — Dimensions (Inches)



E4TP — Dimensions (Inches)



Specifications and Ordering Information

| | | | | | | E1 General Purpose ¹ | | | | E2 Moisture Resistant/ Explosion Resistant ² | | | | E4 Moisture Resistant | | | |
|-----|-------|-------|-------------------|-----------|-------------|---------------------------------|-------|--------|------------|--|-------|--------|------------|-----------------------|-------|--------|------------|
| kW | Volts | Phase | W/In ² | No. Elem. | DIM B (In.) | Model | Stock | PCN | Wt. (Lbs.) | Model | Stock | PCN | Wt. (Lbs.) | Model | Stock | PCN | Wt. (Lbs.) |
| 3 | 240 | 3 | 51 | 3 | 6-7/8 | MTI-330A | NS | 187661 | 5 | MTI-330E2 | NS | 187670 | 8 | MTI-330E4TP | NS | 064320 | 11 |
| 3 | 480 | 3 | 51 | 3 | 6-7/8 | MTI-330A | NS | 187688 | 5 | MTI-330E2 | NS | 187696 | 8 | MTI-330E4TP | NS | 064338 | 11 |
| 4.5 | 240 | 3 | 48 | 3 | 10-7/8 | MTI-345A | NS | 187709 | 6 | MTI-345E2 | NS | 187717 | 9 | MTI-345E4TP | NS | 064346 | 12 |
| 4.5 | 480 | 3 | 48 | 3 | 10-7/8 | MTI-345A | NS | 187725 | 6 | MTI-345E2 | NS | 187733 | 9 | MTI-345E4TP | NS | 064354 | 12 |
| 6 | 240 | 3 | 48 | 3 | 17-1/8 | MTI-360A | NS | 187741 | 6 | MTI-360E2 | NS | 187750 | 9 | MTI-360E4TP | NS | 064362 | 12 |
| 6 | 480 | 3 | 48 | 3 | 17-1/8 | MTI-360A | NS | 187768 | 6 | MTI-360E2 | NS | 187776 | 9 | MTI-360E4TP | NS | 064370 | 12 |
| 7.5 | 240 | 3 | 53 | 3 | 19-1/8 | MTI-375A | NS | 187784 | 6 | MTI-375E2 | NS | 187792 | 9 | MTI-375E4TP | NS | 064389 | 12 |
| 7.5 | 480 | 3 | 53 | 3 | 19-1/8 | MTI-375A | NS | 187805 | 6 | MTI-375E2 | NS | 187813 | 9 | MTI-375E4TP | NS | 064397 | 12 |
| 9 | 240 | 3 | 47 | 3 | 24-1/2 | MTI-390A | NS | 187821 | 7 | MTI-390E2 | NS | 187830 | 10 | MTI-390E4TP | NS | 064400 | 13 |
| 9 | 480 | 3 | 47 | 3 | 24-1/2 | MTI-390A | NS | 187848 | 7 | MTI-390E2 | NS | 187856 | 10 | MTI-390E4TP | NS | 064418 | 13 |
| 12 | 240 | 3 | 46 | 3 | 32-1/4 | MTI-3120A | NS | 187864 | 9 | MTI-3120E2 | NS | 187872 | 12 | MTI-3120E4TP | NS | 064266 | 15 |
| 12 | 480 | 3 | 46 | 3 | 32-1/4 | MTI-3120A | NS | 187880 | 9 | MTI-3120E2 | NS | 187899 | 12 | MTI-3120E4TP | NS | 064274 | 15 |
| 15 | 240 | 3 | 46 | 3 | 39-3/8 | MTI-3150A | NS | 187901 | 10 | MTI-3150E2 | NS | 187910 | 13 | MTI-3150E4TP | NS | 064282 | 16 |
| 15 | 480 | 3 | 46 | 3 | 39-3/8 | MTI-3150A | NS | 187928 | 10 | MTI-3150E2 | NS | 187936 | 13 | MTI-3150E4TP | NS | 064290 | 16 |
| 18 | 240 | 3 | 51 | 3 | 47-3/8 | MTI-3180A | NS | 187944 | 12 | MTI-3180E2 | NS | 187952 | 15 | MTI-3180E4TP | NS | 064303 | 18 |
| 18 | 480 | 3 | 51 | 3 | 47-3/8 | MTI-3180A | NS | 187960 | 12 | MTI-3180E2 | NS | 187979 | 15 | MTI-3180E4TP | NS | 064311 | 18 |

Stock Status: S = stock NS = non-stock
To Order—Specify model, volts, phase, kW, PCN and quantity.

1. Heaters with General Purpose Enclosures are UL Listed and CSA Certified.
2. Heaters with Moisture Resistant/Explosion Resistant Enclosures are CSA^{US} Certified.

FASTShip

Same-day shipping on stock item orders received before 4 pm CST. 3-day shipping on assembly-stock items.

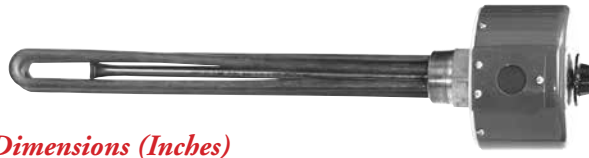
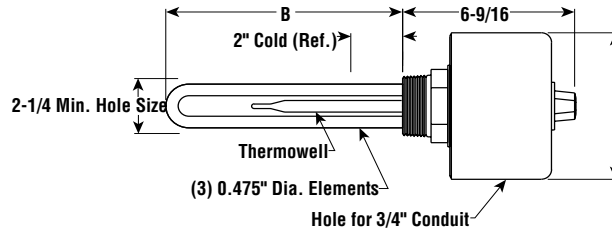
AREMTS-3

Mildly Corrosive Solution Applications

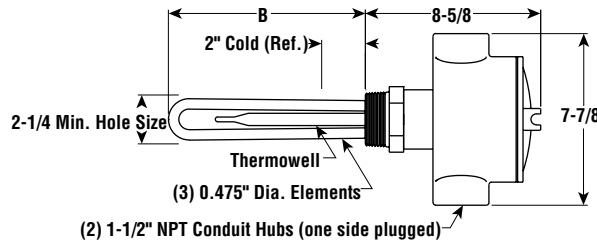


- 2" NPT Stainless Steel Passivated Screw Plug
- Stainless Steel Passivated Sheath Elements
- Medium Watt Density (23 W/in²)
- 3 - 9 kW
- Integral Thermostat (DPST)
- 240 and 480 Volt, Three Phase
- General Purpose or Moisture Resistant/Explosion Resistant Terminal Enclosure

E1 — Dimensions (Inches)



E2 — Dimensions (Inches)



Specifications and Ordering Information

| kW | Volts | Phase | W/in ² | No. Elem. | DIM B (In.) | Wt. (Lbs.) | T2 — Temperature (60 - 250°F) | | | T1 — Temperature (0 - 100°F) | | |
|--|-------|-------|-------------------|-----------|-------------|------------|-------------------------------|-------|--------|------------------------------|-------|--------|
| | | | | | | | Model | Stock | PCN | Model | Stock | PCN |
| E1 General Purpose¹ | | | | | | | | | | | | |
| 3 | 240 | 3 | 23 | 3 | 17-3/4 | 8 | AREMTS-30305T2 | NS | 091782 | AREMTS-30305T1 | NS | 032993 |
| 3 | 480 | 3 | 23 | 3 | 17-3/4 | 8 | AREMTS-30305T2 | NS | 091790 | AREMTS-30305T1 | NS | 033005 |
| 4.5 | 240 | 3 | 23 | 3 | 24-7/8 | 9 | AREMTS-30455T2 | NS | 091803 | AREMTS-30455T1 | NS | 033013 |
| 4.5 | 480 | 3 | 23 | 3 | 24-7/8 | 9 | AREMTS-30455T2 | NS | 091811 | AREMTS-30455T1 | NS | 033021 |
| 6 | 240 | 3 | 23 | 3 | 32-7/16 | 10 | AREMTS-30605T2 | NS | 091820 | AREMTS-30605T1 | NS | 033030 |
| 6 | 480 | 3 | 23 | 3 | 32-7/16 | 10 | AREMTS-30605T2 | NS | 091838 | AREMTS-30605T1 | NS | 033048 |
| 7.5 | 240 | 3 | 23 | 3 | 40-3/8 | 11 | AREMTS-30755T2 | NS | 091846 | AREMTS-30755T1 | NS | 033056 |
| 7.5 | 480 | 3 | 23 | 3 | 40-3/8 | 11 | AREMTS-30755T2 | NS | 091854 | AREMTS-30755T1 | NS | 033064 |
| 9 | 240 | 3 | 23 | 3 | 47-7/8 | 12 | AREMTS-30905T2 | NS | 091862 | AREMTS-30905T1 | NS | 033072 |
| 9 | 480 | 3 | 23 | 3 | 47-7/8 | 12 | AREMTS-30905T2 | NS | 091870 | AREMTS-30905T1 | NS | 033080 |
| E2 Moisture Resistant/Explosion Resistant² | | | | | | | | | | | | |
| 3 | 240 | 3 | 23 | 3 | 17-3/4 | 13 | AREMTS-30305E2T2 | NS | 033099 | AREMTS-30305E2T1 | NS | 033195 |
| 3 | 480 | 3 | 23 | 3 | 17-3/4 | 13 | AREMTS-30305E2T2 | NS | 033101 | AREMTS-30305E2T1 | NS | 033208 |
| 4.5 | 240 | 3 | 23 | 3 | 24-7/8 | 14 | AREMTS-30455E2T2 | NS | 033110 | AREMTS-30455E2T1 | NS | 033216 |
| 4.5 | 480 | 3 | 23 | 3 | 24-7/8 | 14 | AREMTS-30455E2T2 | NS | 033128 | AREMTS-30455E2T1 | NS | 033224 |
| 6 | 240 | 3 | 23 | 3 | 32-7/16 | 15 | AREMTS-30605E2T2 | NS | 033136 | AREMTS-30605E2T1 | NS | 033232 |
| 6 | 480 | 3 | 23 | 3 | 32-7/16 | 15 | AREMTS-30605E2T2 | NS | 033144 | AREMTS-30605E2T1 | NS | 033240 |
| 7.5 | 240 | 3 | 23 | 3 | 40-3/8 | 16 | AREMTS-30755E2T2 | NS | 033152 | AREMTS-30755E2T1 | NS | 033259 |
| 7.5 | 480 | 3 | 23 | 3 | 40-3/8 | 16 | AREMTS-30755E2T2 | NS | 033160 | AREMTS-30755E2T1 | NS | 033267 |
| 9 | 240 | 3 | 23 | 3 | 47-7/8 | 17 | AREMTS-30905E2T2 | NS | 033179 | AREMTS-30905E2T1 | NS | 033275 |
| 9 | 480 | 3 | 23 | 3 | 47-7/8 | 17 | AREMTS-30905E2T2 | NS | 033187 | AREMTS-30905E2T1 | NS | 033283 |

Stock Status: S = stock NS = non-stock
To Order—Specify model, volts, phase, kW, PCN and quantity.

1. Heaters with General Purpose Enclosures are UL Listed and CSA Certified.
2. Heaters with Moisture Resistant/Explosion Resistant Enclosures are c_SSA_US[®] Certified.



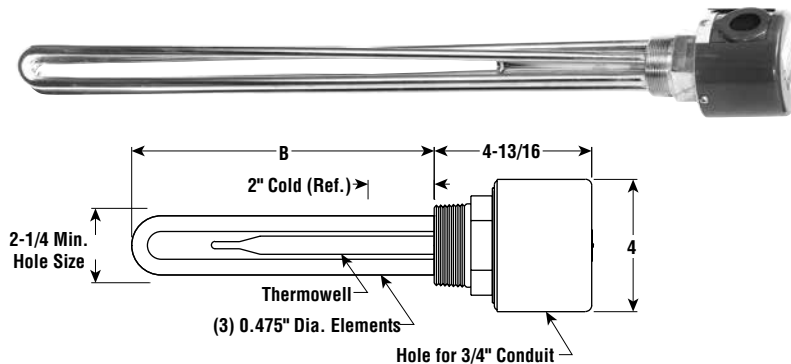
Same-day shipping on stock item orders received before 4 pm CST. 3-day shipping on assembly-stock items.

Immersion

EMTS-3 Mildly Corrosive Solution Applications

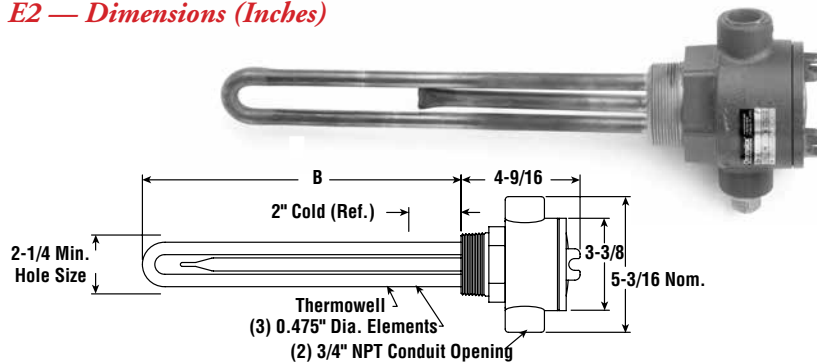
- 2" NPT Stainless Steel Passivated Screw Plug
- Stainless Steel Passivated Sheath Elements
- Medium Watt Density (23 W/In²)
- 3 - 9 kW
- Without Thermostat
- 240 and 480 Volt, Three Phase
- General Purpose, Moisture Resistant/Explosion Resistant Terminal Enclosure or Moisture Resistant

E1 — Dimensions (Inches)

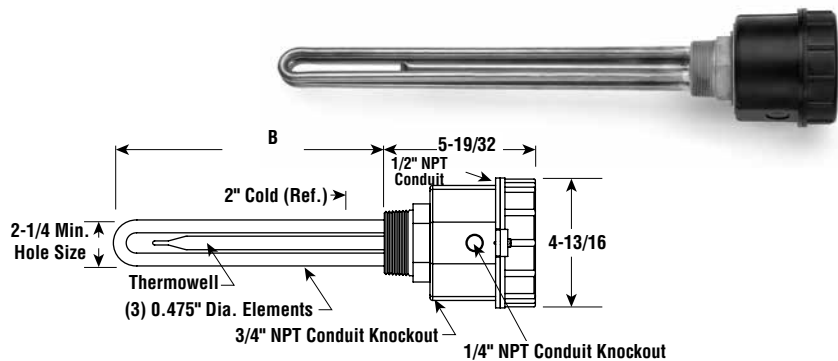


SCREW PLUG

E2 — Dimensions (Inches)



E4TP — Dimensions (Inches)



Specifications and Ordering Information

| | | | | | | E1 General Purpose ¹ | | | | | E2 Moisture Resistant/ Explosion Resistant ² | | | | E4 Moisture Resistant | | | |
|-----|-------|-------|-------------------|-----------|-------------|---------------------------------|-------|--------|------------|-------------|--|--------|------------|---------------|-----------------------|--------|------------|--|
| kW | Volts | Phase | W/In ² | No. Elem. | DIM B (In.) | Model | Stock | PCN | Wt. (Lbs.) | Model | Stock | PCN | Wt. (Lbs.) | Model | Stock | PCN | Wt. (Lbs.) | |
| 3 | 240 | 3 | 23 | 3 | 17-3/4 | EMTS-3030 | NS | 091686 | 6 | EMTS-3030E2 | NS | 033398 | 9 | EMTS-3030E4TP | NS | 061436 | 12 | |
| 3 | 480 | 3 | 23 | 3 | 17-3/4 | EMTS-3030 | NS | 091694 | 6 | EMTS-3030E2 | NS | 033400 | 9 | EMTS-3030E4TP | NS | 061444 | 12 | |
| 4.5 | 240 | 3 | 23 | 3 | 24-7/8 | EMTS-3045 | NS | 091707 | 7 | EMTS-3045E2 | NS | 033419 | 10 | EMTS-3045E4TP | NS | 061452 | 13 | |
| 4.5 | 480 | 3 | 23 | 3 | 24-7/8 | EMTS-3045 | NS | 091715 | 7 | EMTS-3045E2 | NS | 033427 | 10 | EMTS-3045E4TP | NS | 061460 | 13 | |
| 6 | 240 | 3 | 23 | 3 | 32-7/16 | EMTS-3060 | NS | 091723 | 9 | EMTS-3060E2 | NS | 033435 | 12 | EMTS-3060E4TP | NS | 061479 | 15 | |
| 6 | 480 | 3 | 23 | 3 | 32-7/16 | EMTS-3060 | NS | 091731 | 9 | EMTS-3060E2 | NS | 033443 | 12 | EMTS-3060E4TP | NS | 061487 | 15 | |
| 7.5 | 240 | 3 | 23 | 3 | 40-3/8 | EMTS-3075 | NS | 091740 | 10 | EMTS-3075E2 | NS | 033451 | 13 | EMTS-3075E4TP | NS | 061575 | 16 | |
| 7.5 | 480 | 3 | 23 | 3 | 40-3/8 | EMTS-3075 | NS | 091758 | 10 | EMTS-3075E2 | NS | 033460 | 13 | EMTS-3075E4TP | NS | 061583 | 16 | |
| 9 | 240 | 3 | 23 | 3 | 47-7/8 | EMTS-3090 | NS | 091766 | 12 | EMTS-3090E2 | NS | 033478 | 15 | EMTS-3090E4TP | NS | 061591 | 18 | |
| 9 | 480 | 3 | 23 | 3 | 47-7/8 | EMTS-3090 | NS | 091774 | 12 | EMTS-3090E2 | NS | 033486 | 15 | EMTS-3090E4TP | NS | 061604 | 18 | |

Stock Status: S = stock NS = non-stock
To Order—Specify model, volts, phase, kW, PCN and quantity.

1. Heaters with General Purpose Enclosures are UL Listed and CSA Certified.
2. Heaters with Moisture Resistant/Explosion Resistant Enclosures are c_CSA_{US}® Certified.

FASTShip

Same-day shipping on stock item orders received before 4 pm CST.
3-day shipping on assembly-stock items.

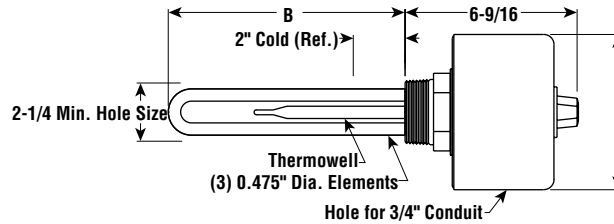
AREMTI-3

Mildly Corrosive Solution Applications

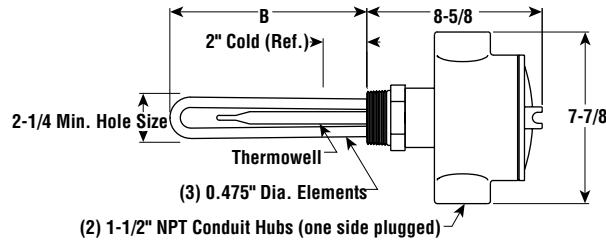


- 2" NPT Stainless Steel Screw Plug
- INCOLOY® Sheath Elements
- Medium Watt Density (23 W/In²)
- 3 - 9 kW
- Integral Thermostat (DPST)
- 120, 240 and 480 Volt, Three Phase
- General Purpose or Moisture Resistant/Explosion Resistant Terminal Enclosure

E1 — Dimensions (Inches)



E2 — Dimensions (Inches)



Specifications and Ordering Information

| | | | | | | | T2 — Temperature (60 - 250°F) | | | T1 — Temperature (0 - 100°F) | | |
|--|-------|-------|-------------------|-----------|-------------|------------|-------------------------------|-------|--------|------------------------------|-------|--------|
| kW | Volts | Phase | W/In ² | No. Elem. | DIM B (In.) | Wt. (Lbs.) | Model | Stock | PCN | Model | Stock | PCN |
| E1 General Purpose¹ | | | | | | | | | | | | |
| 3 | 240 | 3 | 23 | 3 | 17-3/4 | 8 | AREMTI-30305T2 | NS | 091985 | AREMTI-30305T1 | NS | 032694 |
| 3 | 480 | 3 | 23 | 3 | 17-3/4 | 8 | AREMTI-30305T2 | NS | 091993 | AREMTI-30305T1 | NS | 032707 |
| 4.5 | 240 | 3 | 23 | 3 | 24-7/8 | 9 | AREMTI-30455T2 | NS | 092005 | AREMTI-30455T1 | NS | 032715 |
| 4.5 | 480 | 3 | 23 | 3 | 24-7/8 | 9 | AREMTI-30455T2 | NS | 097560 | AREMTI-30455T1 | NS | 032723 |
| 6 | 240 | 3 | 23 | 3 | 32-7/16 | 10 | AREMTI-30605T2 | NS | 097578 | AREMTI-30605T1 | NS | 032731 |
| 6 | 480 | 3 | 23 | 3 | 32-7/16 | 10 | AREMTI-30605T2 | NS | 097586 | AREMTI-30605T1 | NS | 032740 |
| 7.5 | 240 | 3 | 23 | 3 | 40-3/8 | 11 | AREMTI-30755T2 | NS | 097594 | AREMTI-30755T1 | NS | 032758 |
| 7.5 | 480 | 3 | 23 | 3 | 40-3/8 | 11 | AREMTI-30755T2 | NS | 097607 | AREMTI-30755T1 | NS | 032766 |
| 9 | 240 | 3 | 23 | 3 | 47-7/8 | 12 | AREMTI-30905T2 | NS | 097615 | AREMTI-30905T1 | NS | 032774 |
| 9 | 480 | 3 | 23 | 3 | 47-7/8 | 12 | AREMTI-30905T2 | NS | 097623 | AREMTI-30905T1 | NS | 032782 |
| E2 Moisture Resistant/Explosion Resistant² | | | | | | | | | | | | |
| 3 | 240 | 3 | 23 | 3 | 17-3/4 | 13 | AREMTI-30305E2T2 | NS | 032790 | AREMTI-30305E2T1 | NS | 032897 |
| 3 | 480 | 3 | 23 | 3 | 17-3/4 | 13 | AREMTI-30305E2T2 | NS | 032803 | AREMTI-30305E2T1 | NS | 032900 |
| 4.5 | 240 | 3 | 23 | 3 | 24-7/8 | 14 | AREMTI-30455E2T2 | NS | 032811 | AREMTI-30455E2T1 | NS | 032918 |
| 4.5 | 480 | 3 | 23 | 3 | 24-7/8 | 14 | AREMTI-30455E2T2 | NS | 032820 | AREMTI-30455E2T1 | NS | 032926 |
| 6 | 240 | 3 | 23 | 3 | 32-7/16 | 15 | AREMTI-30605E2T2 | NS | 032838 | AREMTI-30605E2T1 | NS | 032934 |
| 6 | 480 | 3 | 23 | 3 | 32-7/16 | 15 | AREMTI-30605E2T2 | NS | 032846 | AREMTI-30605E2T1 | NS | 032942 |
| 7.5 | 240 | 3 | 23 | 3 | 40-3/8 | 16 | AREMTI-30755E2T2 | NS | 032854 | AREMTI-30755E2T1 | NS | 032950 |
| 7.5 | 480 | 3 | 23 | 3 | 40-3/8 | 16 | AREMTI-30755E2T2 | NS | 032862 | AREMTI-30755E2T1 | NS | 032969 |
| 9 | 240 | 3 | 23 | 3 | 47-7/8 | 17 | AREMTI-30905E2T2 | NS | 032870 | AREMTI-30905E2T1 | NS | 032977 |
| 9 | 480 | 3 | 23 | 3 | 47-7/8 | 17 | AREMTI-30905E2T2 | NS | 032889 | AREMTI-30905E2T1 | NS | 032985 |

Stock Status: S = stock NS = non-stock
To Order — Specify model, volts, phase, kW, PCN and quantity.



Same-day shipping on stock item orders received before 4 pm CST.
 3-day shipping on assembly-stock items.

1. Heaters with General Purpose Enclosures are UL Listed and CSA Certified.
2. Heaters with Moisture Resistant/Explosion Resistant Enclosures are CSA US Certified.

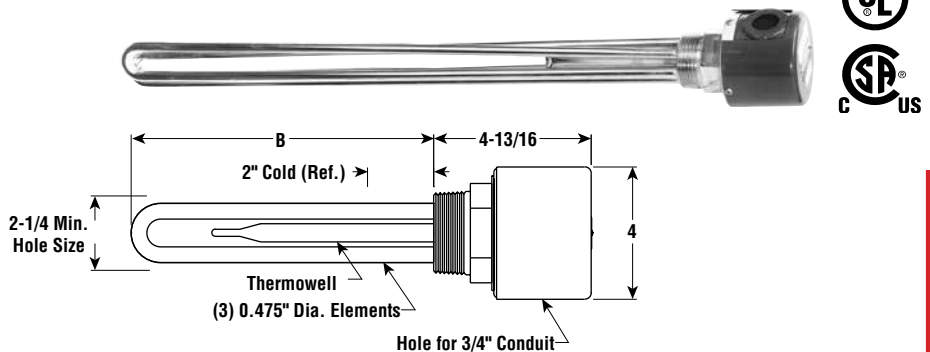
Immersion

EMTI-3

Mildly Corrosive Solution Applications

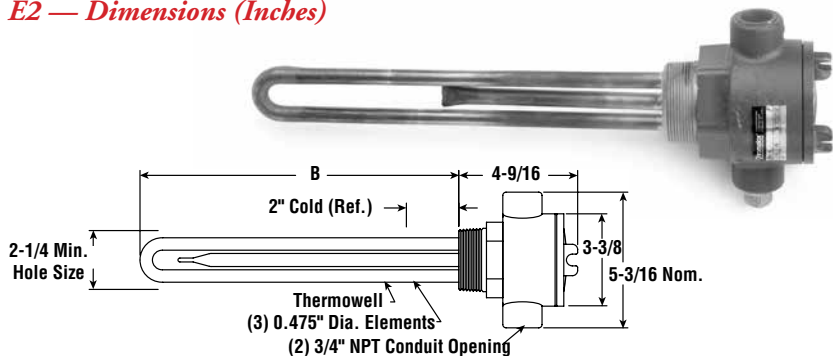
- 2" NPT Stainless Steel Screw Plug
- INCOLOY® Sheath Elements
- Medium Watt Density (23 W/In²)
- 3 - 9 kW
- Without Thermostat
- 240 and 480 Volt, Three Phase
- General Purpose, Moisture Resistant/Explosion Resistant Terminal Enclosure or Moisture Resistant

E1 — Dimensions (Inches)

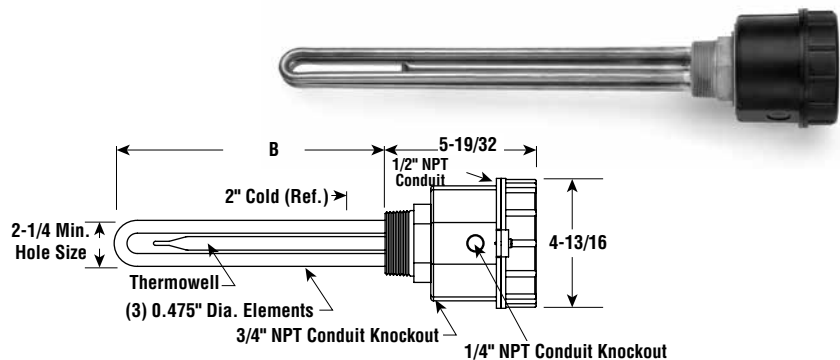


SCREW PLUG

E2 — Dimensions (Inches)



E4TP — Dimensions (Inches)



Specifications and Ordering Information

| | | | | | | E1 General Purpose ¹ | | | | E2 Moisture Resistant/ Explosion Resistant ² | | | | E4 Moisture Resistant | | | |
|-----|-------|-------|-------------------|-----------|-------------|---------------------------------|-------|--------|------------|--|-------|--------|------------|-----------------------|-------|--------|------------|
| kW | Volts | Phase | W/In ² | No. Elem. | DIM B (In.) | Model | Stock | PCN | Wt. (Lbs.) | Model | Stock | PCN | Wt. (Lbs.) | Model | Stock | PCN | Wt. (Lbs.) |
| 3 | 240 | 3 | 23 | 3 | 17-3/4 | EMTI-3030 | NS | 091889 | 6 | EMTI-3030E2 | NS | 033291 | 9 | EMTI-3030E4TP | NS | 060791 | 12 |
| 3 | 480 | 3 | 23 | 3 | 17-3/4 | EMTI-3030 | NS | 091897 | 6 | EMTI-3030E2 | NS | 033304 | 9 | EMTI-3030E4TP | NS | 060804 | 12 |
| 4.5 | 240 | 3 | 23 | 3 | 24-7/8 | EMTI-3045 | NS | 091900 | 7 | EMTI-3045E2 | NS | 033312 | 10 | EMTI-3045E4TP | NS | 060839 | 13 |
| 4.5 | 480 | 3 | 23 | 3 | 24-7/8 | EMTI-3045 | NS | 091918 | 7 | EMTI-3045E2 | NS | 033320 | 10 | EMTI-3045E4TP | NS | 060847 | 13 |
| 6 | 240 | 3 | 23 | 3 | 32-7/16 | EMTI-3060 | NS | 091926 | 9 | EMTI-3060E2 | NS | 033339 | 12 | EMTI-3060E4TP | NS | 060898 | 15 |
| 6 | 480 | 3 | 23 | 3 | 32-7/16 | EMTI-3060 | NS | 091934 | 9 | EMTI-3060E2 | NS | 033347 | 12 | EMTI-3060E4TP | NS | 060900 | 15 |
| 7.5 | 240 | 3 | 23 | 3 | 40-3/8 | EMTI-3075 | NS | 091942 | 10 | EMTI-3075E2 | NS | 033355 | 13 | EMTI-3075E4TP | NS | 060935 | 16 |
| 7.5 | 480 | 3 | 23 | 3 | 40-3/8 | EMTI-3075 | NS | 091950 | 10 | EMTI-3075E2 | NS | 033363 | 13 | EMTI-3075E4TP | NS | 060943 | 16 |
| 9 | 240 | 3 | 23 | 3 | 47-7/8 | EMTI-3090 | NS | 091969 | 12 | EMTI-3090E2 | NS | 033371 | 15 | EMTI-3090E4TP | NS | 060951 | 18 |
| 9 | 480 | 3 | 23 | 3 | 47-7/8 | EMTI-3090 | NS | 091977 | 12 | EMTI-3090E2 | NS | 033380 | 15 | EMTI-3090E4TP | NS | 060960 | 18 |

Stock Status: S = stock NS = non-stock
To Order—Specify model, volts, phase, kW, PCN and quantity.

1. Heaters with General Purpose Enclosures are UL Listed and CSA Certified.
2. Heaters with Moisture Resistant/Explosion Resistant Enclosures are cCSA_{US}® Certified.

FASTShip

Same-day shipping on stock item orders received before 4 pm CST.
 3-day shipping on assembly-stock items.

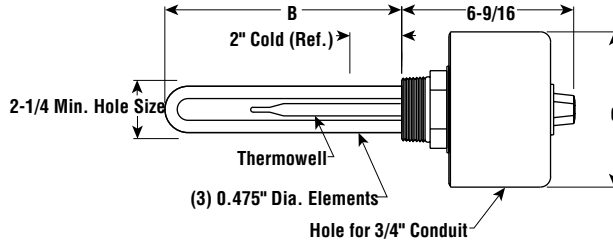
AREMTS-3

Severely Corrosive Solution Applications

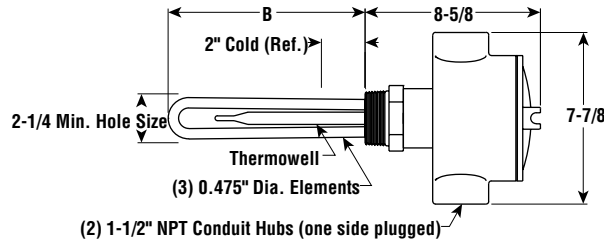


- 2" NPT Stainless Steel Passivated Screw Plug
- Stainless Steel Passivated Sheath Elements
- Low Watt Density (15 W/In²)
- 1 - 6 kW
- Integral Thermostat (DPST)
- 240 and 480 Volt, Three Phase
- General Purpose or Moisture Resistant/Explosion Resistant Terminal Enclosure

E1 — Dimensions (Inches)



E2 — Dimensions (Inches)



Specifications and Ordering Information

| | | | | | | | T2 — Temperature (60 - 250°F) | | | T1 — Temperature (0 - 100°F) | | |
|--|-------|-------|-------------------|-----------|-------------|------------|-------------------------------|-------|--------|------------------------------|-------|--------|
| kW | Volts | Phase | W/In ² | No. Elem. | DIM B (In.) | Wt. (Lbs.) | Model | Stock | PCN | Model | Stock | PCN |
| E1 General Purpose¹ | | | | | | | | | | | | |
| 1 | 240 | 3 | 15 | 3 | 7-3/4 | 7 | AREMTS-3015T2 | NS | 091328 | AREMTS-3015T1 | NS | 033734 |
| 1 | 480 | 3 | 15 | 3 | 7-3/4 | 7 | AREMTS-3015T2 | NS | 091336 | AREMTS-3015T1 | NS | 033742 |
| 2 | 240 | 3 | 15 | 3 | 17-3/4 | 8 | AREMTS-3025T2 | NS | 091344 | AREMTS-3025T1 | NS | 033750 |
| 2 | 480 | 3 | 15 | 3 | 17-3/4 | 8 | AREMTS-3025T2 | NS | 091352 | AREMTS-3025T1 | NS | 033769 |
| 3 | 240 | 3 | 15 | 3 | 24-7/8 | 9 | AREMTS-3035T2 | NS | 091360 | AREMTS-3035T1 | NS | 033777 |
| 3 | 480 | 3 | 15 | 3 | 24-7/8 | 9 | AREMTS-3035T2 | NS | 091379 | AREMTS-3035T1 | NS | 033785 |
| 4 | 240 | 3 | 15 | 3 | 32-7/16 | 10 | AREMTS-3045T2 | NS | 091387 | AREMTS-3045T1 | NS | 033793 |
| 4 | 480 | 3 | 15 | 3 | 32-7/16 | 10 | AREMTS-3045T2 | NS | 091395 | AREMTS-3045T1 | NS | 033806 |
| 5 | 240 | 3 | 15 | 3 | 40-3/8 | 11 | AREMTS-3055T2 | NS | 091408 | AREMTS-3055T1 | NS | 033814 |
| 5 | 480 | 3 | 15 | 3 | 40-3/8 | 11 | AREMTS-3055T2 | NS | 091416 | AREMTS-3055T1 | NS | 033822 |
| 6 | 240 | 3 | 15 | 3 | 47-7/8 | 12 | AREMTS-3065T2 | NS | 091424 | AREMTS-3065T1 | NS | 033830 |
| 6 | 480 | 3 | 15 | 3 | 47-7/8 | 12 | AREMTS-3065T2 | NS | 091432 | AREMTS-3065T1 | NS | 033849 |
| E2 Moisture Resistant/Explosion Resistant² | | | | | | | | | | | | |
| 1 | 240 | 3 | 15 | 3 | 7-3/4 | 12 | AREMTS-3015E2T2 | NS | 033857 | AREMTS-3015E2T1 | NS | 033970 |
| 1 | 480 | 3 | 15 | 3 | 7-3/4 | 12 | AREMTS-3015E2T2 | NS | 033865 | AREMTS-3015E2T1 | NS | 033988 |
| 2 | 240 | 3 | 15 | 3 | 17-3/4 | 13 | AREMTS-3025E2T2 | NS | 033873 | AREMTS-3025E2T1 | NS | 033996 |
| 2 | 480 | 3 | 15 | 3 | 17-3/4 | 13 | AREMTS-3025E2T2 | NS | 033881 | AREMTS-3025E2T1 | NS | 034008 |
| 3 | 240 | 3 | 15 | 3 | 24-7/8 | 14 | AREMTS-3035E2T2 | NS | 033890 | AREMTS-3035E2T1 | NS | 034016 |
| 3 | 480 | 3 | 15 | 3 | 24-7/8 | 14 | AREMTS-3035E2T2 | NS | 033902 | AREMTS-3035E2T1 | NS | 034024 |
| 4 | 240 | 3 | 15 | 3 | 32-7/16 | 15 | AREMTS-3045E2T2 | NS | 033910 | AREMTS-3045E2T1 | NS | 034032 |
| 4 | 480 | 3 | 15 | 3 | 32-7/16 | 15 | AREMTS-3045E2T2 | NS | 033929 | AREMTS-3045E2T1 | NS | 034040 |
| 5 | 240 | 3 | 15 | 3 | 40-3/8 | 16 | AREMTS-3055E2T2 | NS | 033937 | AREMTS-3055E2T1 | NS | 034059 |
| 5 | 480 | 3 | 15 | 3 | 40-3/8 | 16 | AREMTS-3055E2T2 | NS | 033945 | AREMTS-3055E2T1 | NS | 034067 |
| 6 | 240 | 3 | 15 | 3 | 47-7/8 | 17 | AREMTS-3065E2T2 | NS | 033953 | AREMTS-3065E2T1 | NS | 034075 |
| 6 | 480 | 3 | 15 | 3 | 47-7/8 | 17 | AREMTS-3065E2T2 | NS | 033961 | AREMTS-3065E2T1 | NS | 034083 |

Stock Status: S = stock NS = non-stock
To Order—Specify model, volts, phase, kW, PCN and quantity.

1. Heaters with General Purpose Enclosures are UL Listed and CSA Certified.
2. Heaters with Moisture Resistant/Explosion Resistant Enclosures are ^cCSA_{US}® Certified.



Same-day shipping on stock item orders received before 4 pm CST. 3-day shipping on assembly-stock items.

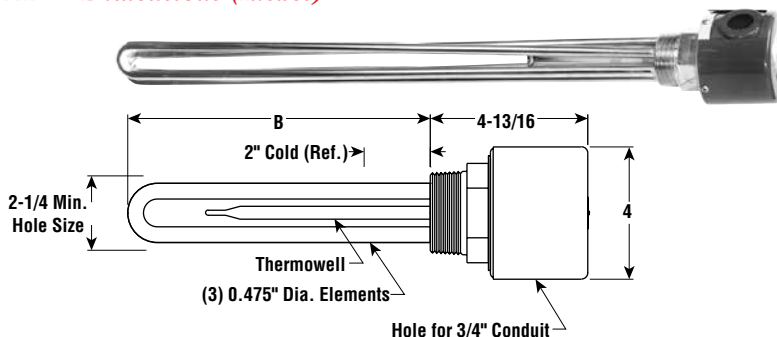
Immersion

EMTS-3

Severely Corrosive Solution Applications

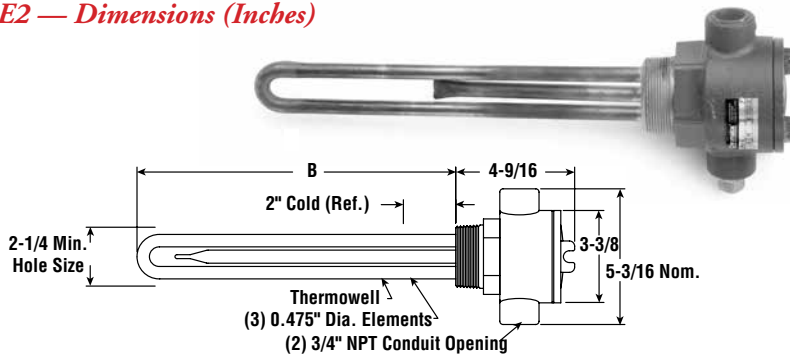
- 2" NPT Stainless Steel Passivated Screw Plug
- Stainless Steel Passivated Sheath Elements
- Low Watt Density (15 W/In²)
- 1 - 6 kW
- Without Thermostat
- 240 and 480 Volt, Three Phase
- General Purpose, Moisture Resistant/Explosion Resistant Terminal Enclosure or Moisture Resistant

E1 — Dimensions (Inches)

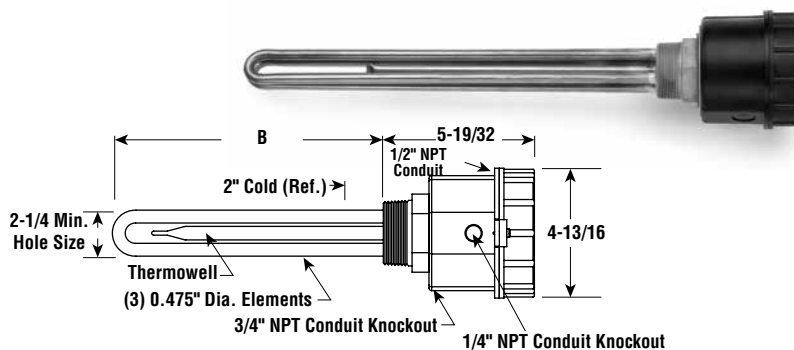


SCREW PLUG

E2 — Dimensions (Inches)



E4TP — Dimensions (Inches)



Specifications and Ordering Information

| | | | | | | E1 General Purpose ¹ | | | | E2 Moisture Resistant/ Explosion Resistant ² | | | | E4 Moisture Resistant | | | |
|----|-------|-------|-------------------|-----------|-------------|---------------------------------|-------|--------|------------|--|-------|--------|------------|-----------------------|-------|--------|------------|
| kW | Volts | Phase | W/In ² | No. Elem. | DIM B (In.) | Model | Stock | PCN | Wt. (Lbs.) | Model | Stock | PCN | Wt. (Lbs.) | Model | Stock | PCN | Wt. (Lbs.) |
| 1 | 240 | 3 | 15 | 3 | 7-3/4 | EMTS-301 | NS | 090472 | 5 | EMTS-301E2 | NS | 033611 | 8 | EMTS-301E4TP | NS | 061399 | 11 |
| 1 | 480 | 3 | 15 | 3 | 7-3/4 | EMTS-301 | NS | 090480 | 5 | EMTS-301E2 | NS | 033620 | 8 | EMTS-301E4TP | NS | 061401 | 11 |
| 2 | 240 | 3 | 15 | 3 | 17-3/4 | EMTS-302 | NS | 090499 | 6 | EMTS-302E2 | NS | 033638 | 9 | EMTS-302E4TP | NS | 061410 | 12 |
| 2 | 480 | 3 | 15 | 3 | 17-3/4 | EMTS-302 | NS | 090501 | 6 | EMTS-302E2 | NS | 033646 | 9 | EMTS-302E4TP | NS | 061428 | 12 |
| 3 | 240 | 3 | 15 | 3 | 24-7/8 | EMTS-303 | NS | 091248 | 7 | EMTS-303E2 | NS | 033654 | 10 | EMTS-303E4TP | NS | 061452 | 13 |
| 3 | 480 | 3 | 15 | 3 | 24-7/8 | EMTS-303 | NS | 091256 | 7 | EMTS-303E2 | NS | 033662 | 10 | EMTS-303E4TP | NS | 061460 | 13 |
| 4 | 240 | 3 | 15 | 3 | 32-7/16 | EMTS-304 | NS | 091264 | 9 | EMTS-304E2 | NS | 033670 | 12 | EMTS-304E4TP | NS | 061495 | 15 |
| 4 | 480 | 3 | 15 | 3 | 32-7/16 | EMTS-304 | NS | 091272 | 9 | EMTS-304E2 | NS | 033689 | 12 | EMTS-304E4TP | NS | 061508 | 15 |
| 5 | 240 | 3 | 15 | 3 | 40-3/8 | EMTS-305 | NS | 091280 | 10 | EMTS-305E2 | NS | 033697 | 13 | EMTS-305E4TP | NS | 061516 | 16 |
| 5 | 480 | 3 | 15 | 3 | 40-3/8 | EMTS-305 | NS | 091299 | 10 | EMTS-305E2 | NS | 033700 | 13 | EMTS-305E4TP | NS | 061524 | 16 |
| 6 | 240 | 3 | 15 | 3 | 47-7/8 | EMTS-306 | NS | 091301 | 12 | EMTS-306E2 | NS | 033718 | 15 | EMTS-306E4TP | NS | 061559 | 18 |
| 6 | 480 | 3 | 15 | 3 | 47-7/8 | EMTS-306 | NS | 091310 | 12 | EMTS-306E2 | NS | 033726 | 15 | EMTS-306E4TP | NS | 061567 | 18 |

Stock Status: S = stock NS = non-stock
To Order—Specify model, volts, phase, kW, PCN and quantity.

1. Heaters with General Purpose Enclosures are UL Listed and CSA Certified.
2. Heaters with Moisture Resistant/Explosion Resistant Enclosures are ^CCSA_{US}® Certified.



Same-day shipping on stock item orders received before 4 pm CST.
3-day shipping on assembly-stock items.

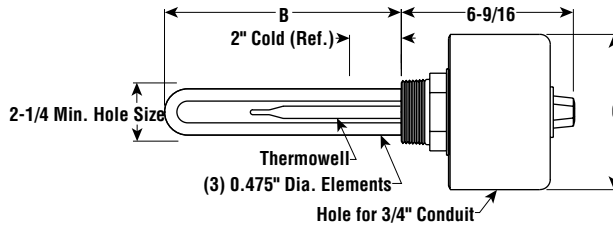
AREMTI-3

Severely Corrosive Solution Applications

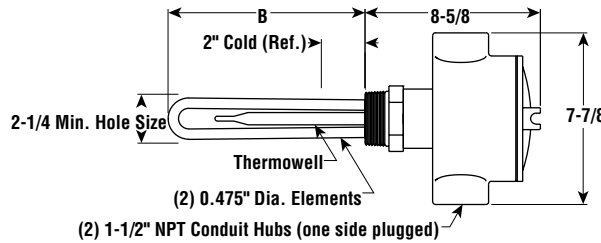


- 2" NPT Stainless Steel Screw Plug
- INCOLOY® Sheath Elements
- Low Watt Density (15 W/In²)
- 1 - 6 kW
- Integral Thermostat (DPST)
- 240 and 480 Volt, Three Phase
- General Purpose or Moisture Resistant/Explosion Resistant Terminal Enclosure

E1 — Dimensions (Inches)



E2 — Dimensions (Inches)



Specifications and Ordering Information

| | | | | | | | T2 — Temperature (60 - 250°F) | | | T1 — Temperature (0 - 100°F) | | |
|--|-------|-------|-------------------|-----------|-------------|------------|-------------------------------|-------|--------|------------------------------|-------|--------|
| kW | Volts | Phase | W/In ² | No. Elem. | DIM B (In.) | Wt. (Lbs.) | Model | Stock | PCN | Model | Stock | PCN |
| E1 General Purpose¹ | | | | | | | | | | | | |
| 1 | 240 | 3 | 15 | 3 | 7-3/4 | 7 | AREMTI-3015T2 | NS | 091563 | AREMTI-3015T1 | NS | 034091 |
| 1 | 480 | 3 | 15 | 3 | 7-3/4 | 7 | AREMTI-3015T2 | NS | 091571 | AREMTI-3015T1 | NS | 034104 |
| 2 | 240 | 3 | 15 | 3 | 17-3/4 | 8 | AREMTI-3025T2 | NS | 091580 | AREMTI-3025T1 | NS | 034112 |
| 2 | 480 | 3 | 15 | 3 | 17-3/4 | 8 | AREMTI-3025T2 | NS | 091598 | AREMTI-3025T1 | NS | 034120 |
| 3 | 240 | 3 | 15 | 3 | 24-7/8 | 9 | AREMTI-3035T2 | NS | 091600 | AREMTI-3035T1 | NS | 034139 |
| 3 | 480 | 3 | 15 | 3 | 24-7/8 | 9 | AREMTI-3035T2 | NS | 091619 | AREMTI-3035T1 | NS | 034147 |
| 4 | 240 | 3 | 15 | 3 | 32-7/16 | 10 | AREMTI-3045T2 | NS | 091627 | AREMTI-3045T1 | NS | 034155 |
| 4 | 480 | 3 | 15 | 3 | 32-7/16 | 10 | AREMTI-3045T2 | NS | 091635 | AREMTI-3045T1 | NS | 034163 |
| 5 | 240 | 3 | 15 | 3 | 40-3/8 | 11 | AREMTI-3055T2 | NS | 091643 | AREMTI-3055T1 | NS | 034171 |
| 5 | 480 | 3 | 15 | 3 | 40-3/8 | 11 | AREMTI-3055T2 | NS | 091651 | AREMTI-3055T1 | NS | 034180 |
| 6 | 240 | 3 | 15 | 3 | 47-7/8 | 12 | AREMTI-3065T2 | NS | 091660 | AREMTI-3065T1 | NS | 034198 |
| 6 | 480 | 3 | 15 | 3 | 47-7/8 | 12 | AREMTI-3065T2 | NS | 091678 | AREMTI-3065T1 | NS | 034200 |
| E2 Moisture Resistant/Explosion Resistant² | | | | | | | | | | | | |
| 1 | 240 | 3 | 15 | 3 | 7-3/4 | 12 | AREMTI-3015E2T2 | NS | 034219 | AREMTI-3015E2T1 | NS | 034331 |
| 1 | 480 | 3 | 15 | 3 | 7-3/4 | 12 | AREMTI-3015E2T2 | NS | 034227 | AREMTI-3015E2T1 | NS | 034340 |
| 2 | 240 | 3 | 15 | 3 | 17-3/4 | 13 | AREMTI-3025E2T2 | NS | 034235 | AREMTI-3025E2T1 | NS | 034358 |
| 2 | 480 | 3 | 15 | 3 | 17-3/4 | 13 | AREMTI-3025E2T2 | NS | 034243 | AREMTI-3025E2T1 | NS | 034366 |
| 3 | 240 | 3 | 15 | 3 | 24-7/8 | 14 | AREMTI-3035E2T2 | NS | 034251 | AREMTI-3035E2T1 | NS | 034374 |
| 3 | 480 | 3 | 15 | 3 | 24-7/8 | 14 | AREMTI-3035E2T2 | NS | 034260 | AREMTI-3035E2T1 | NS | 034382 |
| 4 | 240 | 3 | 15 | 3 | 32-7/16 | 15 | AREMTI-3045E2T2 | NS | 034278 | AREMTI-3045E2T1 | NS | 034390 |
| 4 | 480 | 3 | 15 | 3 | 32-7/16 | 15 | AREMTI-3045E2T2 | NS | 034286 | AREMTI-3045E2T1 | NS | 034403 |
| 5 | 240 | 3 | 15 | 3 | 40-3/8 | 16 | AREMTI-3055E2T2 | NS | 034294 | AREMTI-3055E2T1 | NS | 034411 |
| 5 | 480 | 3 | 15 | 3 | 40-3/8 | 16 | AREMTI-3055E2T2 | NS | 034307 | AREMTI-3055E2T1 | NS | 034420 |
| 6 | 240 | 3 | 15 | 3 | 47-7/8 | 17 | AREMTI-3065E2T2 | NS | 034315 | AREMTI-3065E2T1 | NS | 034438 |
| 6 | 480 | 3 | 15 | 3 | 47-7/8 | 17 | AREMTI-3065E2T2 | NS | 034323 | AREMTI-3065E2T1 | NS | 034446 |

Stock Status: S = stock NS = non-stock
To Order—Specify model, volts, phase, kW, PCN and quantity.



Same-day shipping on stock item orders received before 4 pm CST. 3-day shipping on assembly-stock items.

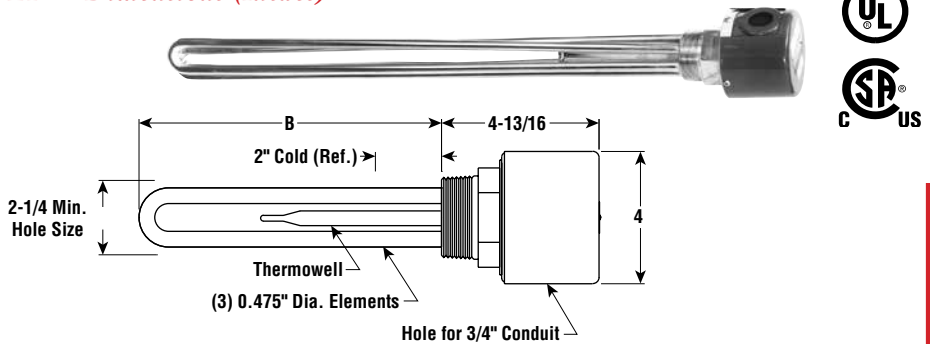
1. Heaters with General Purpose Enclosures are UL Listed and CSA Certified.
2. Heaters with Moisture Resistant/Explosion Resistant Enclosures are _CCSA_{US}® Certified.

EMTI-3

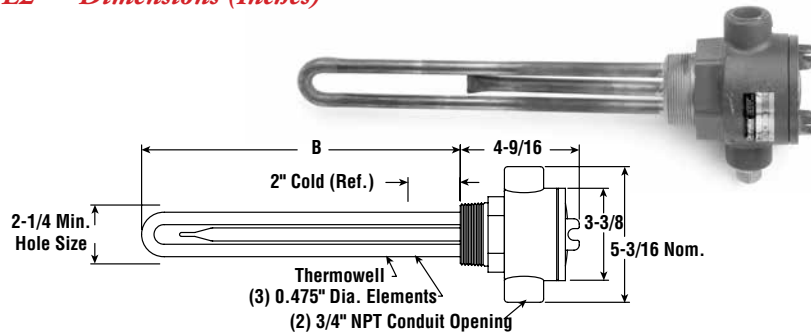
Severely Corrosive Solution Applications

- 2" NPT Stainless Steel Screw Plug
- INCOLOY® Sheath Elements
- Low Watt Density (15 W/In²)
- 1 - 6 kW
- Without Thermostat
- 240 and 480 Volt, Three Phase
- General Purpose, Moisture Resistant/Explosion Resistant Terminal Enclosure or Moisture Resistant

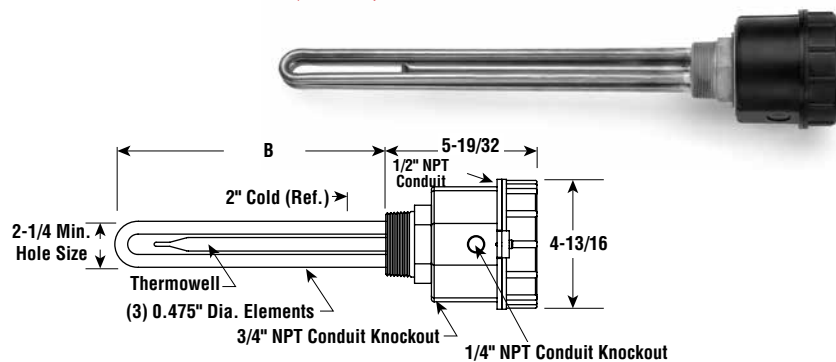
E1 — Dimensions (Inches)



E2 — Dimensions (Inches)



E4TP — Dimensions (Inches)



Specifications and Ordering Information

| | | | | | | E1 General Purpose ¹ | | | | E2 Moisture Resistant/Explosion Resistant ² | | | | E4 Moisture Resistant | | | |
|----|-------|-------|-------------------|-----------|-------------|---------------------------------|-------|--------|------------|--|-------|--------|------------|-----------------------|-------|--------|------------|
| kW | Volts | Phase | W/In ² | No. Elem. | DIM B (In.) | Model | Stock | PCN | Wt. (Lbs.) | Model | Stock | PCN | Wt. (Lbs.) | Model | Stock | PCN | Wt. (Lbs.) |
| 1 | 240 | 3 | 15 | 3 | 7-3/4 | EMTI-301 | NS | 091440 | 5 | EMTI-301E2 | NS | 033494 | 8 | EMTI-301E4TP | NS | 060759 | 11 |
| 1 | 480 | 3 | 15 | 3 | 7-3/4 | EMTI-301 | NS | 091459 | 5 | EMTI-301E2 | NS | 033507 | 8 | EMTI-301E4TP | NS | 060767 | 11 |
| 2 | 240 | 3 | 15 | 3 | 17-3/4 | EMTI-302 | NS | 091467 | 6 | EMTI-302E2 | NS | 033515 | 9 | EMTI-302E4TP | NS | 060775 | 12 |
| 2 | 480 | 3 | 15 | 3 | 17-3/4 | EMTI-302 | NS | 091475 | 6 | EMTI-302E2 | NS | 033523 | 9 | EMTI-302E4TP | NS | 060783 | 12 |
| 3 | 240 | 3 | 15 | 3 | 24-7/8 | EMTI-303 | NS | 091483 | 7 | EMTI-303E2 | NS | 033531 | 10 | EMTI-303E4TP | NS | 060812 | 13 |
| 3 | 480 | 3 | 15 | 3 | 24-7/8 | EMTI-303 | NS | 091491 | 7 | EMTI-303E2 | NS | 033540 | 10 | EMTI-303E4TP | NS | 060820 | 13 |
| 4 | 240 | 3 | 15 | 3 | 32-7/16 | EMTI-304 | NS | 091504 | 9 | EMTI-304E2 | NS | 033558 | 12 | EMTI-304E4TP | NS | 060855 | 15 |
| 4 | 480 | 3 | 15 | 3 | 32-7/16 | EMTI-304 | NS | 091512 | 9 | EMTI-304E2 | NS | 033566 | 12 | EMTI-304E4TP | NS | 060867 | 15 |
| 5 | 240 | 3 | 15 | 3 | 40-3/8 | EMTI-305 | NS | 091520 | 10 | EMTI-305E2 | NS | 033574 | 13 | EMTI-305E4TP | NS | 060871 | 16 |
| 5 | 480 | 3 | 15 | 3 | 40-3/8 | EMTI-305 | NS | 091539 | 10 | EMTI-305E2 | NS | 033582 | 13 | EMTI-305E4TP | NS | 060880 | 16 |
| 6 | 240 | 3 | 15 | 3 | 47-7/8 | EMTI-306 | NS | 091547 | 12 | EMTI-306E2 | NS | 033590 | 15 | EMTI-306E4TP | NS | 060919 | 18 |
| 6 | 480 | 3 | 15 | 3 | 47-7/8 | EMTI-306 | NS | 091555 | 12 | EMTI-306E2 | NS | 033603 | 15 | EMTI-306E4TP | NS | 060927 | 18 |

Stock Status: S = stock NS = non-stock
 To Order—Specify model, volts, phase, kW, PCN and quantity.

1. Heaters with General Purpose Enclosures are UL Listed and CSA Certified.
 2. Heaters with Moisture Resistant/Explosion Resistant Enclosures are cCSA_{US}® Certified.

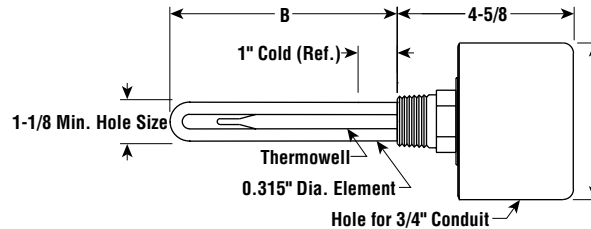
FASTShip

Same-day shipping on stock item orders received before 4 pm CST.
 3-day shipping on assembly-stock items.

ARMTO Light Weight Oil Applications



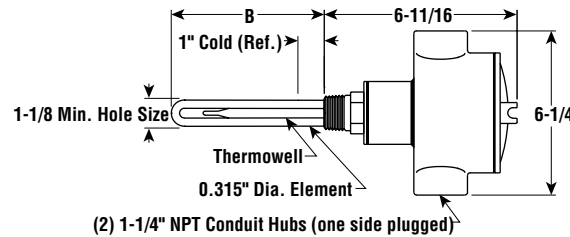
E1 — Dimensions (Inches)



- 1" NPT Steel Screw Plug
- Steel Sheath Element
- 20 W/In²
- 0.25 - 1.5 kW
- Integral Thermostat (SPST)
- 120 and 240 Volt, Single Phase
- General Purpose or Moisture Resistant/Explosion Resistant Terminal Enclosure



E2 — Dimensions (Inches)



Specifications and Ordering Information

| | | | | | | | T4 — Temperature (60 - 187°F) | | | T5 — Temperature (60 - 240°F) | | | T8 — Temperature (0 - 127°F) | | |
|--|-------|-------|-------------------|-----------|-------------|------------|-------------------------------|-------|--------|-------------------------------|-------|--------|------------------------------|-------|--------|
| kW | Volts | Phase | W/In ² | No. Elem. | DIM B (In.) | Wt. (Lbs.) | Model | Stock | PCN | Model | Stock | PCN | Model | Stock | PCN |
| E1 General Purpose¹ | | | | | | | | | | | | | | | |
| 0.25 | 120 | 1 | 20 | 1 | 6-1/2 | 2 | ARMTO-250T4 | S | 292883 | ARMTO-250T5 | NS | 319003 | ARMTO-250T8 | NS | 319011 |
| 0.375 | 120 | 1 | 20 | 1 | 9-1/2 | 3 | ARMTO-375T4 | S | 292891 | ARMTO-375T5 | NS | 319046 | ARMTO-375T8 | NS | 319054 |
| 0.375 | 240 | 1 | 20 | 1 | 9-1/2 | 3 | ARMTO-375T4 | NS | 292912 | ARMTO-375T5 | NS | 319089 | ARMTO-375T8 | NS | 319097 |
| 0.5 | 120 | 1 | 20 | 1 | 12-1/2 | 3 | ARMTO-500T4 | S | 292904 | ARMTO-500T5 | NS | 319126 | ARMTO-500T8 | S | 319134 |
| 0.5 | 240 | 1 | 20 | 1 | 12-1/2 | 3 | ARMTO-500T4 | NS | 292980 | ARMTO-500T5 | NS | 319169 | ARMTO-500T8 | S | 319177 |
| 1 | 120 | 1 | 20 | 1 | 25 | 3 | ARMTO-1000T4 | NS | 038703 | ARMTO-1000T5 | NS | 038746 | ARMTO-1000T8 | NS | 038789 |
| 1 | 240 | 1 | 20 | 1 | 25 | 3 | ARMTO-1000T4 | NS | 038711 | ARMTO-1000T5 | NS | 038754 | ARMTO-1000T8 | NS | 038797 |
| 1.5 | 120 | 1 | 20 | 1 | 38 | 4 | ARMTO-1500T4 | NS | 038720 | ARMTO-1500T5 | NS | 038762 | ARMTO-1500T8 | NS | 038800 |
| 1.5 | 240 | 1 | 20 | 1 | 38 | 4 | ARMTO-1500T4 | NS | 038738 | ARMTO-1500T5 | NS | 038770 | ARMTO-1500T8 | NS | 038818 |
| E2 Moisture Resistant/Explosion Resistant² | | | | | | | | | | | | | | | |
| 0.25 | 120 | 1 | 20 | 1 | 6-1/2 | 5 | ARMTO-250E2T4 | S | 292963 | ARMTO-250E2T5 | NS | 319020 | ARMTO-250E2T8 | NS | 319038 |
| 0.375 | 120 | 1 | 20 | 1 | 9-1/2 | 5 | ARMTO-375E2T4 | NS | 292939 | ARMTO-375E2T5 | NS | 319062 | ARMTO-375E2T8 | NS | 319070 |
| 0.375 | 240 | 1 | 20 | 1 | 9-1/2 | 5 | ARMTO-375E2T4 | NS | 292920 | ARMTO-375E2T5 | NS | 319100 | ARMTO-375E2T8 | NS | 319118 |
| 0.5 | 120 | 1 | 20 | 1 | 12-1/2 | 5 | ARMTO-500E2T4 | S | 292971 | ARMTO-500E2T5 | NS | 319142 | ARMTO-500E2T8 | NS | 319150 |
| 0.5 | 240 | 1 | 20 | 1 | 12-1/2 | 5 | ARMTO-500E2T4 | NS | 292998 | ARMTO-500E2T5 | NS | 319185 | ARMTO-500E2T8 | NS | 319193 |
| 1 | 120 | 1 | 20 | 1 | 25 | 6 | ARMTO-1000E2T4 | NS | 038826 | ARMTO-1000E2T5 | NS | 038869 | ARMTO-1000E2T8 | NS | 038906 |
| 1 | 240 | 1 | 20 | 1 | 25 | 6 | ARMTO-1000E2T4 | NS | 038834 | ARMTO-1000E2T5 | NS | 038877 | ARMTO-1000E2T8 | NS | 038914 |
| 1.5 | 120 | 1 | 20 | 1 | 38 | 7 | ARMTO-1500E2T4 | NS | 038842 | ARMTO-1500E2T5 | NS | 038885 | ARMTO-1500E2T8 | NS | 038922 |
| 1.5 | 240 | 1 | 20 | 1 | 38 | 7 | ARMTO-1500E2T4 | NS | 038850 | ARMTO-1500E2T5 | NS | 038893 | ARMTO-1500E2T8 | NS | 038930 |

Stock Status: S = stock NS = non-stock
To Order—Specify model, volts, phase, kW, PCN and quantity.

1. Heaters with General Purpose Enclosures are UL Listed and CSA Certified.
2. Heaters with Moisture Resistant/Explosion Resistant Enclosures are ^CCSA_{US}® Certified.



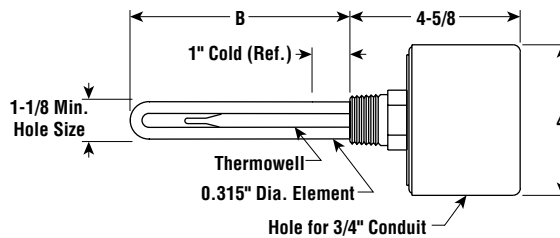
Same-day shipping on stock item orders received before 4 pm CST.
 3-day shipping on assembly-stock items.

Immersion

MTO Light Weight Oil Applications

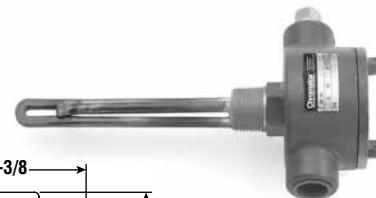
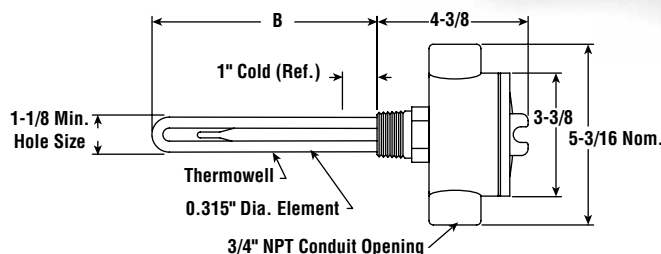
- 1" NPT Steel Screw Plug
- Steel Sheath Element
- 20 W/in²
- 0.25 - 1.5 kW
- Without Thermostat
- 120 and 240 Volt, Single Phase
- General Purpose, Moisture Resistant/Explosion Resistant Terminal Enclosure or Moisture Resistant

E1 — Dimensions (Inches)

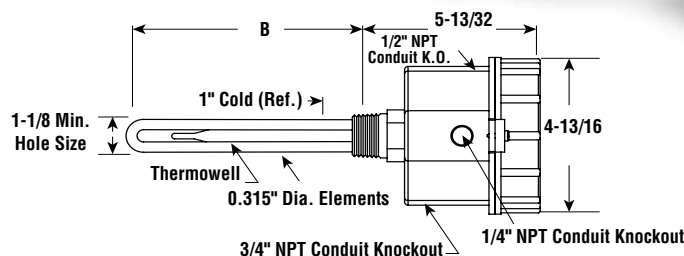


SCREW PLUG

E2 — Dimensions (Inches)



E4TP — Dimensions (Inches)



Specifications and Ordering Information

| | | | | | | E1 General Purpose ¹ | | | | E2 Moisture Resistant/ Explosion Resistant ² | | | | E4 Moisture Resistant | | | |
|-------|-------|-------|-------------------|-----------|-------------|---------------------------------|-------|--------|------------|--|-------|--------|------------|-----------------------|-------|--------|------------|
| kW | Volts | Phase | W/in ² | No. Elem. | DIM B (In.) | Model | Stock | PCN | Wt. (Lbs.) | Model | Stock | PCN | Wt. (Lbs.) | Model | Stock | PCN | Wt. (Lbs.) |
| 0.25 | 120 | 1 | 20 | 1 | 6-1/2 | MTO-250 | NS | 037962 | 2 | MTO-250E2 | NS | 038050 | 5 | MTO-250E4TP | NS | 060185 | 8 |
| 0.375 | 120 | 1 | 20 | 1 | 9-1/2 | MTO-375 | NS | 037970 | 3 | MTO-375E2 | NS | 038068 | 6 | MTO-375E4TP | NS | 060193 | 9 |
| 0.375 | 240 | 1 | 20 | 1 | 9-1/2 | MTO-375 | NS | 037989 | 3 | MTO-375E2 | NS | 038076 | 6 | MTO-375E4TP | NS | 060206 | 9 |
| 0.5 | 120 | 1 | 20 | 1 | 12-1/2 | MTO-500 | NS | 037997 | 3 | MTO-500E2 | NS | 038084 | 6 | MTO-500E4TP | NS | 060214 | 9 |
| 0.5 | 240 | 1 | 20 | 1 | 12-1/2 | MTO-500 | NS | 038009 | 3 | MTO-500E2 | NS | 038092 | 6 | MTO-500E4TP | NS | 060222 | 9 |
| 1 | 120 | 1 | 20 | 1 | 25 | MTO-1000 | NS | 038017 | 4 | MTO-1000E2 | NS | 038105 | 7 | MTO-1000E4TP | NS | 060142 | 10 |
| 1 | 240 | 1 | 20 | 1 | 25 | MTO-1000 | NS | 038025 | 4 | MTO-1000E2 | NS | 038113 | 7 | MTO-1000E4TP | NS | 060150 | 10 |
| 1.5 | 120 | 1 | 20 | 1 | 38 | MTO-1500 | NS | 038033 | 4 | MTO-1500E2 | NS | 038121 | 7 | MTO-1500E4TP | NS | 060169 | 10 |
| 1.5 | 240 | 1 | 20 | 1 | 38 | MTO-1500 | NS | 038041 | 4 | MTO-1500E2 | NS | 038130 | 7 | MTO-1500E4TP | NS | 060177 | 10 |

Stock Status: S = stock NS = non-stock
To Order—Specify model, volts, phase, kW, PCN and quantity.



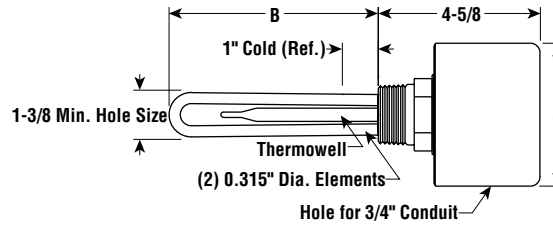
1. Heaters with General Purpose Enclosures are UL Recognized and CSA Certified.
2. Heaters with Moisture Resistant/Explosion Resistant Enclosures are CSA_{US} Certified.

Same-day shipping on stock item orders received before 4 pm CST.
3-day shipping on assembly-stock items.

ARMTO-1 Light Weight Oil Applications



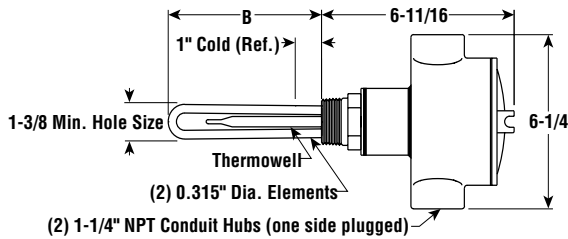
E1 — Dimensions (Inches)



- 1-1/4" NPT Steel Screw Plug
- Steel Sheath Elements
- 10 - 20 W/In²
- 0.5 - 3 kW
- Integral Thermostat (SPST)
- 120 and 240 Volt, Single Phase
- General Purpose or Moisture Resistant/Explosion Resistant Terminal Enclosure



E2 — Dimensions (Inches)



Specifications and Ordering Information

| | | | | | | | T4 — Temperature (60 - 187°F) | | | T5 — Temperature (60 - 240°F) | | | T8 — Temperature (0 - 127°F) | | |
|--|-------|-------|-------------------|-----------|-------------|------------|-------------------------------|-------|--------|-------------------------------|-------|--------|------------------------------|-------|--------|
| kW | Volts | Phase | W/In ² | No. Elem. | DIM B (In.) | Wt. (Lbs.) | Model | Stock | PCN | Model | Stock | PCN | Model | Stock | PCN |
| E1 General Purpose¹ | | | | | | | | | | | | | | | |
| 0.5 | 120 | 1 | 10 | 2 | 12-1/2 | 3 | ARMTO-105T4 | NS | 038228 | ARMTO-105T5 | NS | 038383 | ARMTO-105T8 | NS | 038308 |
| 0.5 | 240 | 1 | 10 | 2 | 12-1/2 | 3 | ARMTO-105T4 | NS | 038236 | ARMTO-105T5 | NS | 038391 | ARMTO-105T8 | NS | 038316 |
| 1 | 120 | 1 | 20 | 2 | 12-1/2 | 3 | ARMTO-110T4 | NS | 038244 | ARMTO-110T5 | NS | 038404 | ARMTO-110T8 | NS | 038324 |
| 1 | 240 | 1 | 20 | 2 | 12-1/2 | 3 | ARMTO-110T4 | NS | 038252 | ARMTO-110T5 | NS | 038412 | ARMTO-110T8 | NS | 038332 |
| 2 | 120 | 1 | 20 | 2 | 26 | 4 | ARMTO-120T4 | NS | 038260 | ARMTO-120T5 | NS | 038420 | ARMTO-120T8 | NS | 038340 |
| 2 | 240 | 1 | 20 | 2 | 26 | 4 | ARMTO-120T4 | NS | 038279 | ARMTO-120T5 | NS | 038439 | ARMTO-120T8 | NS | 038359 |
| 3 | 120 | 1 | 20 | 2 | 38 | 4 | ARMTO-130T4 | NS | 038287 | ARMTO-130T5 | NS | 038447 | ARMTO-130T8 | NS | 038367 |
| 3 | 240 | 1 | 20 | 2 | 38 | 4 | ARMTO-130T4 | NS | 038295 | ARMTO-130T5 | NS | 038455 | ARMTO-130T8 | NS | 038375 |
| E2 Moisture Resistant/Explosion Resistant² | | | | | | | | | | | | | | | |
| 0.5 | 120 | 1 | 10 | 2 | 12-1/2 | 6 | ARMTO-105E2T4 | NS | 038463 | ARMTO-105E2T5 | NS | 038623 | ARMTO-105E2T8 | NS | 038543 |
| 0.5 | 240 | 1 | 10 | 2 | 12-1/2 | 6 | ARMTO-105E2T4 | NS | 038471 | ARMTO-105E2T5 | NS | 038631 | ARMTO-105E2T8 | NS | 038551 |
| 1 | 120 | 1 | 20 | 2 | 12-1/2 | 6 | ARMTO-110E2T4 | NS | 038480 | ARMTO-110E2T5 | NS | 038640 | ARMTO-110E2T8 | NS | 038560 |
| 1 | 240 | 1 | 20 | 2 | 12-1/2 | 6 | ARMTO-110E2T4 | NS | 038498 | ARMTO-110E2T5 | NS | 038658 | ARMTO-110E2T8 | NS | 038578 |
| 2 | 120 | 1 | 20 | 2 | 26 | 7 | ARMTO-120E2T4 | NS | 038500 | ARMTO-120E2T5 | NS | 038666 | ARMTO-120E2T8 | NS | 038586 |
| 2 | 240 | 1 | 20 | 2 | 26 | 7 | ARMTO-120E2T4 | NS | 038519 | ARMTO-120E2T5 | NS | 038674 | ARMTO-120E2T8 | NS | 038594 |
| 3 | 120 | 1 | 20 | 2 | 38 | 7 | ARMTO-130E2T4 | NS | 038527 | ARMTO-130E2T5 | NS | 038682 | ARMTO-130E2T8 | NS | 038607 |
| 3 | 240 | 1 | 20 | 2 | 38 | 7 | ARMTO-130E2T4 | NS | 038535 | ARMTO-130E2T5 | NS | 038690 | ARMTO-130E2T8 | NS | 038615 |

Stock Status: S = stock NS = non-stock
To Order—Specify model, volts, phase, kW, PCN and quantity.



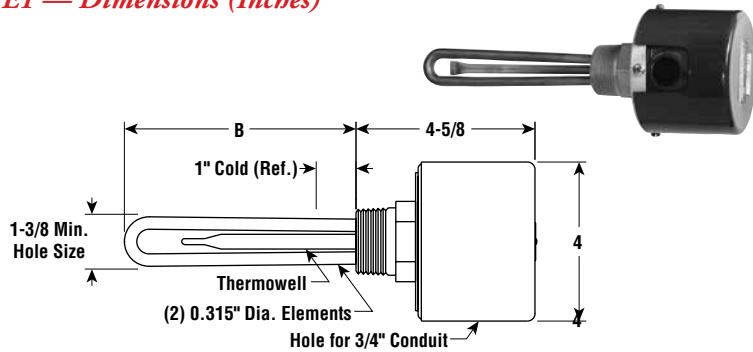
1. Heaters with General Purpose Enclosures are UL Listed and CSA Certified.
2. Heaters with Moisture Resistant/Explosion Resistant Enclosures are cCSA_{US}® Certified.

Same-day shipping on stock item orders received before 4 pm CST, 3-day shipping on assembly-stock items.

MTO-1 Light Weight Oil Applications

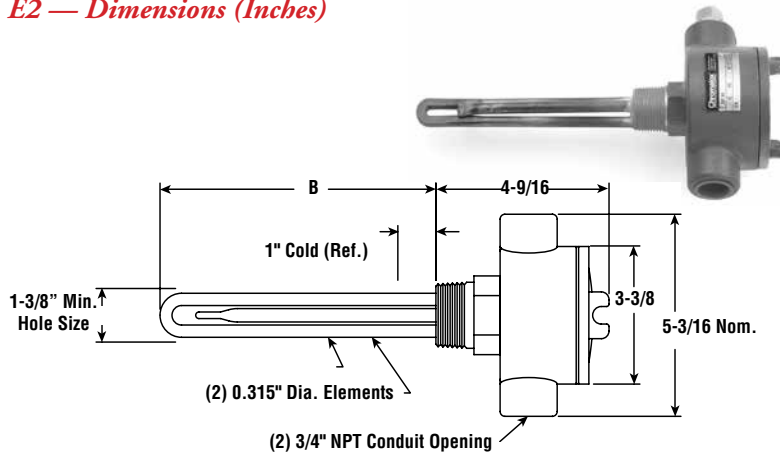
- 1-1/4" NPT Steel Screw Plug
- Steel Sheath Elements
- 10 and 20 W/in²
- 0.5 - 3 kW
- Without Thermostat
- 120 and 240 Volt, Single Phase
- General Purpose, Moisture Resistant/Explosion Resistant Terminal Enclosure or Moisture Resistant

E1 — Dimensions (Inches)

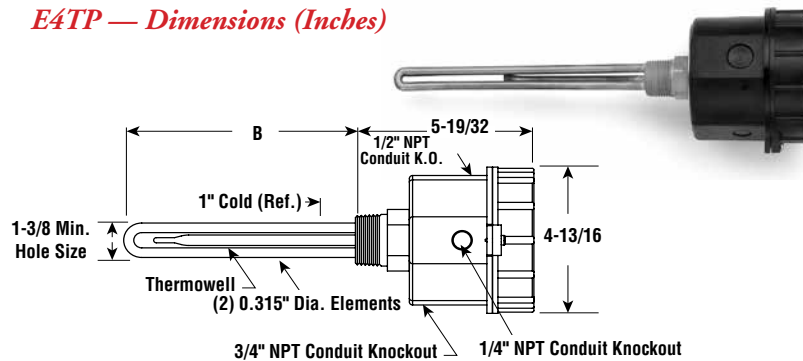


SCREW PLUG

E2 — Dimensions (Inches)



E4TP — Dimensions (Inches)



Specifications and Ordering Information

| | | | | | | | E1 General Purpose ¹ | | | | E2 Moisture Resistant/ Explosion Resistant ² | | | | E4 Moisture Resistant | | | |
|-----|-------|-------|-------------------|-----------|-------------|-----------------|---------------------------------|---------------|------------|-------------------|--|---------------|------------|---------------------|-----------------------|--------|------------|--|
| kW | Volts | Phase | W/in ² | No. Elem. | DIM B (In.) | Model | Stock | PCN | Wt. (Lbs.) | Model | Stock | PCN | Wt. (Lbs.) | Model | Stock | PCN | Wt. (Lbs.) | |
| 0.5 | 120 | 1 | 10 | 2 | 12-1/2 | MTO-105 | NS | 326385 | 2 | MTO-105E2 | NS | 257383 | 5 | MTO-105E4TP | NS | 060513 | 8 | |
| 0.5 | 240 | 1 | 10 | 2 | 12-1/2 | MTO-105 | NS | 326393 | 2 | MTO-105E2 | NS | 326406 | 5 | MTO-105E4TP | NS | 060521 | 8 | |
| 1 | 120 | 1 | 20 | 2 | 12-1/2 | MTO-110A | S | 139723 | 2 | MTO-110AE2 | S | 288497 | 5 | MTO-110AE4TP | NS | 060530 | 8 | |
| 1 | 240 | 1 | 20 | 2 | 12-1/2 | MTO-110A | S | 139731 | 2 | MTO-110AE2 | NS | 288500 | 5 | MTO-110AE4TP | NS | 060548 | 8 | |
| 2 | 120 | 1 | 20 | 2 | 26 | MTO-120 | NS | 038148 | 3 | MTO-120E2 | NS | 038180 | 6 | MTO-120E4TP | NS | 060556 | 9 | |
| 2 | 240 | 1 | 20 | 2 | 26 | MTO-120 | NS | 038156 | 3 | MTO-120E2 | NS | 038199 | 6 | MTO-120E4TP | NS | 060564 | 9 | |
| 3 | 120 | 1 | 20 | 2 | 38 | MTO-130 | NS | 038164 | 3 | MTO-130E2 | NS | 038201 | 6 | MTO-130E4TP | NS | 060572 | 9 | |
| 3 | 240 | 1 | 20 | 2 | 38 | MTO-130 | NS | 038172 | 3 | MTO-130E2 | NS | 038210 | 6 | MTO-130E4TP | NS | 060580 | 9 | |

Stock Status: S = stock NS = non-stock
To Order—Specify model, volts, phase, kW, PCN and quantity.

1. Heaters with General Purpose Enclosures are UL Recognized and CSA Certified.
2. Heaters with Moisture Resistant/Explosion Resistant Enclosures are cCSA_{US}® Certified.

FASTShip

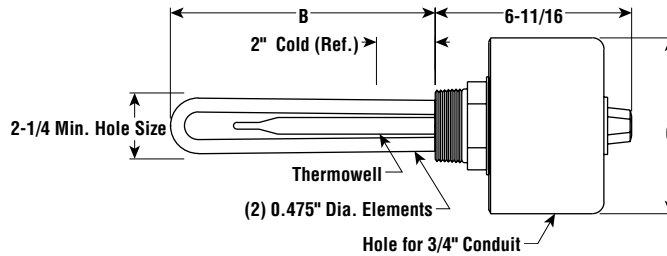
Same-day shipping on stock item orders received before 4 pm CST.
3-day shipping on assembly-stock items.

ARMTO-2 Light Weight Oil Applications



- 2" NPT Steel Screw Plug
- Steel Sheath Elements
- 23 - 26 W/In²
- 1.5 - 6 kW
- Integral Thermostat (DPST)
- 120, 208, 240 and 480 Volt, Single Phase
- General Purpose Terminal Enclosure

E1 — Dimensions (Inches)



Specifications and Ordering Information

| | | | | | | | T3 — Temperature (200 - 550°F) | | | T2 — Temperature (60 - 250°F) | | | T1 — Temperature (0 - 100°F) | | |
|---------------------------------------|-------|-------|-------------------|-----------|-------------|------------|--------------------------------|-------|--------|-------------------------------|-------|--------|------------------------------|-------|--------|
| kW | Volts | Phase | W/In ² | No. Elem. | DIM B (In.) | Wt. (Lbs.) | Model | Stock | PCN | Model | Stock | PCN | Model | Stock | PCN |
| E1 General Purpose¹ | | | | | | | | | | | | | | | |
| 1.5 | 120 | 1 | 24 | 2 | 11-3/4 | 6 | ARMTO-2155T3 | S | 270570 | ARMTO-2155T2 | S | 271097 | ARMTO-2155T1 | S | 274159 |
| 1.5 | 208 | 1 | 24 | 2 | 11-3/4 | 6 | ARMTO-2155T3 | NS | 322843 | ARMTO-2155T2 | NS | 322851 | ARMTO-2155T1 | NS | 322860 |
| 1.5 | 240 | 1 | 24 | 2 | 11-3/4 | 6 | ARMTO-2155T3 | S | 270588 | ARMTO-2155T2 | S | 271100 | ARMTO-2155T1 | S | 274167 |
| 1.5 | 480 | 1 | 24 | 2 | 11-3/4 | 6 | ARMTO-2155T3 | NS | 274909 | ARMTO-2155T2 | S | 274933 | ARMTO-2155T1 | S | 274175 |
| 2 | 120 | 1 | 24 | 2 | 17-3/4 | 7 | ARMTO-2205T3 | NS | 270609 | ARMTO-2205T2 | S | 274941 | ARMTO-2205T1 | NS | 284023 |
| 2 | 208 | 1 | 24 | 2 | 17-3/4 | 7 | ARMTO-2205T3 | NS | 322907 | ARMTO-2205T2 | NS | 322915 | ARMTO-2205T1 | NS | 322923 |
| 2 | 240 | 1 | 24 | 2 | 17-3/4 | 7 | ARMTO-2205T3 | NS | 270617 | ARMTO-2205T2 | S | 271118 | ARMTO-2205T1 | NS | 283830 |
| 2 | 480 | 1 | 24 | 2 | 17-3/4 | 7 | ARMTO-2205T3 | NS | 283370 | ARMTO-2205T2 | S | 284066 | ARMTO-2205T1 | NS | 274950 |
| 2.5 | 120 | 1 | 26 | 2 | 19-5/8 | 8 | ARMTO-2255T3 | NS | 285510 | ARMTO-2255T2 | NS | 274968 | ARMTO-2255T1 | NS | 285501 |
| 2.5 | 208 | 1 | 26 | 2 | 19-5/8 | 8 | ARMTO-2255T3 | NS | 322966 | ARMTO-2255T2 | NS | 322974 | ARMTO-2255T1 | NS | 322982 |
| 2.5 | 240 | 1 | 26 | 2 | 19-5/8 | 8 | ARMTO-2255T3 | NS | 270641 | ARMTO-2255T2 | NS | 284103 | ARMTO-2255T1 | NS | 284090 |
| 2.5 | 480 | 1 | 26 | 2 | 19-5/8 | 8 | ARMTO-2255T3 | NS | 274917 | ARMTO-2255T2 | NS | 274140 | ARMTO-2255T1 | NS | 284138 |
| 3 | 120 | 1 | 23 | 2 | 24-7/8 | 8 | ARMTO-2305T3 | NS | 285560 | ARMTO-2305T2 | NS | 274976 | ARMTO-2305T1 | NS | 285552 |
| 3 | 208 | 1 | 23 | 2 | 24-7/8 | 8 | ARMTO-2305T3 | NS | 323029 | ARMTO-2305T2 | NS | 323037 | ARMTO-2305T1 | NS | 323045 |
| 3 | 240 | 1 | 23 | 2 | 24-7/8 | 8 | ARMTO-2305T3 | S | 270676 | ARMTO-2305T2 | S | 271134 | ARMTO-2305T1 | NS | 283821 |
| 3 | 480 | 1 | 23 | 2 | 24-7/8 | 8 | ARMTO-2305T3 | NS | 274925 | ARMTO-2305T2 | S | 274183 | ARMTO-2305T1 | NS | 284200 |
| 4 | 120 | 1 | 23 | 2 | 32-3/4 | 9 | ARMTO-2405T3 | NS | 285616 | ARMTO-2405T2 | NS | 285608 | ARMTO-2405T1 | NS | 274984 |
| 4 | 208 | 1 | 23 | 2 | 32-3/4 | 9 | ARMTO-2405T3 | NS | 323088 | ARMTO-2405T2 | NS | 323096 | ARMTO-2405T1 | NS | 323109 |
| 4 | 240 | 1 | 23 | 2 | 32-3/4 | 9 | ARMTO-2405T3 | NS | 270705 | ARMTO-2405T2 | NS | 271142 | ARMTO-2405T1 | NS | 284234 |
| 4 | 480 | 1 | 23 | 2 | 32-3/4 | 9 | ARMTO-2405T3 | NS | 284285 | ARMTO-2405T2 | NS | 284277 | ARMTO-2405T1 | NS | 284269 |
| 5 | 120 | 1 | 23 | 2 | 40-1/4 | 9 | ARMTO-2505T3 | NS | 285667 | ARMTO-2505T2 | NS | 285659 | ARMTO-2505T1 | NS | 274992 |
| 5 | 208 | 1 | 23 | 2 | 40-1/4 | 9 | ARMTO-2505T3 | NS | 323141 | ARMTO-2505T2 | NS | 323150 | ARMTO-2505T1 | NS | 323168 |
| 5 | 240 | 1 | 23 | 2 | 40-1/4 | 9 | ARMTO-2505T3 | NS | 270730 | ARMTO-2505T2 | S | 271150 | ARMTO-2505T1 | NS | 284322 |
| 5 | 480 | 1 | 23 | 2 | 40-1/4 | 9 | ARMTO-2505T3 | NS | 284373 | ARMTO-2505T2 | NS | 284365 | ARMTO-2505T1 | NS | 284357 |
| 6 | 208 | 1 | 23 | 2 | 47-3/4 | 10 | ARMTO-2605T3 | NS | 323205 | ARMTO-2605T2 | NS | 323213 | ARMTO-2605T1 | NS | 323221 |
| 6 | 240 | 1 | 23 | 2 | 47-3/4 | 10 | ARMTO-2605T3 | NS | 270756 | ARMTO-2605T2 | NS | 284429 | ARMTO-2605T1 | NS | 284410 |
| 6 | 480 | 1 | 23 | 2 | 47-3/4 | 10 | ARMTO-2605T3 | NS | 284189 | ARMTO-2605T2 | NS | 284470 | ARMTO-2605T1 | NS | 284461 |

Stock Status: S = stock NS = non-stock
To Order—Specify model, volts, phase, kW, PCN and quantity.



1. Heaters are UL Listed with T1 or T2 Temperature and CSA Certified with T1, T2 or T3 Temperature.

Same-day shipping on stock item orders received before 4 pm CST.
3-day shipping on assembly-stock items.

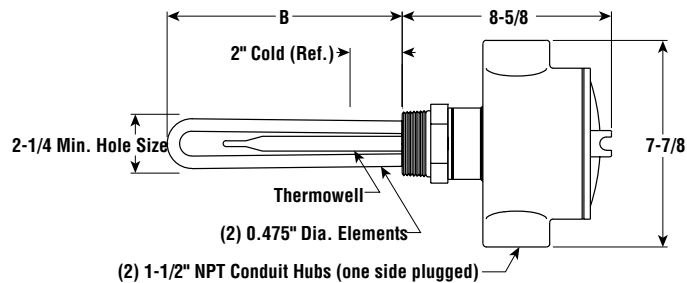


ARMTO-2 Light Weight Oil Applications (cont'd.)



- 2" NPT Steel Screw Plug
- Steel Sheath Elements
- 23 - 26 W/In²
- 1.5 - 6 kW
- Integral Thermostat (DPST)
- 120, 208, 240 and 480 Volt, Single Phase
- Moisture Resistant/Explosion Resistant Terminal Enclosure

E2 — Dimensions (Inches)



SCREW PLUG

Specifications and Ordering Information

| | | | | | | | | T3 — Temperature (200 - 550°F) | | | T2 — Temperature (60 - 250°F) | | | T1 — Temperature (0 - 100°F) | | |
|--|-------|-------|-------------------|-----------|-------------|------------|----------------|--------------------------------|--------|----------------|-------------------------------|--------|----------------|------------------------------|--------|--|
| kW | Volts | Phase | W/In ² | No. Elem. | DIM B (In.) | Wt. (Lbs.) | Model | Stock | PCN | Model | Stock | PCN | Model | Stock | PCN | |
| E2 Moisture Resistant/Explosion Resistant | | | | | | | | | | | | | | | | |
| 1.5 | 120 | 1 | 24 | 2 | 11-3/4 | 12 | ARMTO-2155E2T3 | NS | 273535 | ARMTO-2155E2T2 | S | 275055 | ARMTO-2155E2T1 | S | 283311 | |
| 1.5 | 208 | 1 | 24 | 2 | 11-3/4 | 12 | ARMTO-2155E2T3 | NS | 322878 | ARMTO-2155E2T2 | NS | 322886 | ARMTO-2155E2T1 | NS | 322894 | |
| 1.5 | 240 | 1 | 24 | 2 | 11-3/4 | 12 | ARMTO-2155E2T3 | NS | 283864 | ARMTO-2155E2T2 | S | 275063 | ARMTO-2155E2T1 | NS | 283856 | |
| 1.5 | 480 | 1 | 24 | 2 | 11-3/4 | 12 | ARMTO-2155E2T3 | NS | 283944 | ARMTO-2155E2T2 | NS | 283320 | ARMTO-2155E2T1 | NS | 283872 | |
| 2 | 120 | 1 | 24 | 2 | 17-3/4 | 12 | ARMTO-2205E2T3 | S | 275012 | ARMTO-2205E2T2 | S | 275071 | ARMTO-2205E2T1 | S | 284031 | |
| 2 | 208 | 1 | 24 | 2 | 17-3/4 | 12 | ARMTO-2205E2T3 | NS | 322931 | ARMTO-2205E2T2 | NS | 322940 | ARMTO-2205E2T1 | NS | 322958 | |
| 2 | 240 | 1 | 24 | 2 | 17-3/4 | 12 | ARMTO-2205E2T3 | NS | 275004 | ARMTO-2205E2T2 | S | 284058 | ARMTO-2205E2T1 | S | 284040 | |
| 2 | 480 | 1 | 24 | 2 | 17-3/4 | 12 | ARMTO-2205E2T3 | NS | 284082 | ARMTO-2205E2T2 | S | 275020 | ARMTO-2205E2T1 | NS | 284074 | |
| 2.5 | 120 | 1 | 26 | 2 | 19-5/8 | 13 | ARMTO-2255E2T3 | NS | 285544 | ARMTO-2255E2T2 | NS | 285536 | ARMTO-2255E2T1 | NS | 285528 | |
| 2.5 | 208 | 1 | 26 | 2 | 19-5/8 | 13 | ARMTO-2255E2T3 | NS | 322990 | ARMTO-2255E2T2 | NS | 323002 | ARMTO-2255E2T1 | NS | 323010 | |
| 2.5 | 240 | 1 | 26 | 2 | 19-5/8 | 13 | ARMTO-2255E2T3 | NS | 284120 | ARMTO-2255E2T2 | NS | 284111 | ARMTO-2255E2T1 | NS | 275039 | |
| 2.5 | 480 | 1 | 26 | 2 | 19-5/8 | 13 | ARMTO-2255E2T3 | NS | 284162 | ARMTO-2255E2T2 | NS | 284154 | ARMTO-2255E2T1 | S | 284146 | |
| 3 | 120 | 1 | 23 | 2 | 24-7/8 | 13 | ARMTO-2305E2T3 | NS | 285595 | ARMTO-2305E2T2 | NS | 285587 | ARMTO-2305E2T1 | NS | 285579 | |
| 3 | 208 | 1 | 23 | 2 | 24-7/8 | 13 | ARMTO-2305E2T3 | NS | 323053 | ARMTO-2305E2T2 | NS | 323061 | ARMTO-2305E2T1 | NS | 323070 | |
| 3 | 240 | 1 | 23 | 2 | 24-7/8 | 13 | ARMTO-2305E2T3 | NS | 283400 | ARMTO-2305E2T2 | NS | 275047 | ARMTO-2305E2T1 | NS | 284170 | |
| 3 | 480 | 1 | 23 | 2 | 24-7/8 | 13 | ARMTO-2305E2T3 | NS | 284197 | ARMTO-2305E2T2 | NS | 284226 | ARMTO-2305E2T1 | NS | 284218 | |
| 4 | 120 | 1 | 23 | 2 | 32-3/4 | 14 | ARMTO-2405E2T3 | NS | 285640 | ARMTO-2405E2T2 | NS | 285632 | ARMTO-2405E2T1 | NS | 285624 | |
| 4 | 208 | 1 | 23 | 2 | 32-3/4 | 14 | ARMTO-2405E2T3 | NS | 323117 | ARMTO-2405E2T2 | NS | 323125 | ARMTO-2405E2T1 | NS | 323133 | |
| 4 | 240 | 1 | 23 | 2 | 32-3/4 | 14 | ARMTO-2405E2T3 | NS | 284621 | ARMTO-2405E2T2 | NS | 284250 | ARMTO-2405E2T1 | NS | 284242 | |
| 4 | 480 | 1 | 23 | 2 | 32-3/4 | 14 | ARMTO-2405E2T3 | NS | 284314 | ARMTO-2405E2T2 | NS | 284306 | ARMTO-2405E2T1 | NS | 284293 | |
| 5 | 120 | 1 | 23 | 2 | 40-1/4 | 14 | ARMTO-2505E2T3 | NS | 285691 | ARMTO-2505E2T2 | NS | 285683 | ARMTO-2505E2T1 | NS | 285675 | |
| 5 | 208 | 1 | 23 | 2 | 40-1/4 | 14 | ARMTO-2505E2T3 | NS | 323176 | ARMTO-2505E2T2 | NS | 323184 | ARMTO-2505E2T1 | NS | 323192 | |
| 5 | 240 | 1 | 23 | 2 | 40-1/4 | 14 | ARMTO-2505E2T3 | NS | 282837 | ARMTO-2505E2T2 | NS | 284349 | ARMTO-2505E2T1 | NS | 284330 | |
| 5 | 480 | 1 | 23 | 2 | 40-1/4 | 14 | ARMTO-2505E2T3 | NS | 284402 | ARMTO-2505E2T2 | NS | 284390 | ARMTO-2505E2T1 | NS | 284381 | |
| 6 | 208 | 1 | 23 | 2 | 47-3/4 | 15 | ARMTO-2605E2T3 | NS | 323230 | ARMTO-2605E2T2 | NS | 323248 | ARMTO-2605E2T1 | NS | 323256 | |
| 6 | 240 | 1 | 23 | 2 | 47-3/4 | 15 | ARMTO-2605E2T3 | NS | 284453 | ARMTO-2605E2T2 | NS | 284445 | ARMTO-2605E2T1 | NS | 284437 | |
| 6 | 480 | 1 | 23 | 2 | 47-3/4 | 15 | ARMTO-2605E2T3 | NS | 284509 | ARMTO-2605E2T2 | NS | 284496 | ARMTO-2605E2T1 | NS | 284488 | |

Stock Status: S = stock NS = non-stock
To Order—Specify model, volts, phase, kW, PCN and quantity.



1. Heaters are UL Listed with T1 or T2 Temperature and CSA Certified with T1, T2 or T3 Temperature.

Same-day shipping on stock item orders received before 4 pm CST.
 3-day shipping on assembly-stock items.

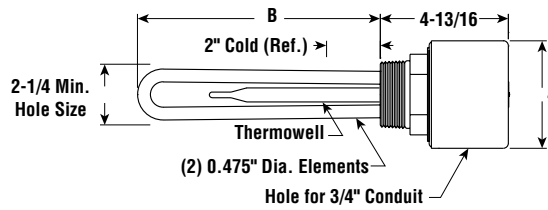
Immersion

MTO-2

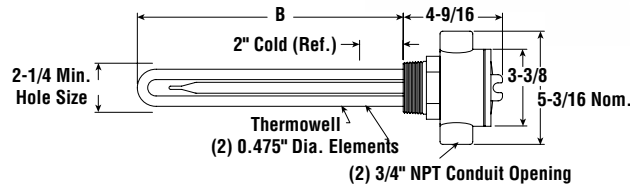
Light Weight Oil Applications

- 2" NPT Steel Screw Plug
- Steel Sheath Elements
- 23 - 26 W/In²
- 1.5 - 6 kW
- Without Thermostat
- 120, 208, 240 and 480 Volt, Single Phase
- General Purpose, Moisture Resistant/Explosion Resistant Terminal Enclosure or Moisture Resistant

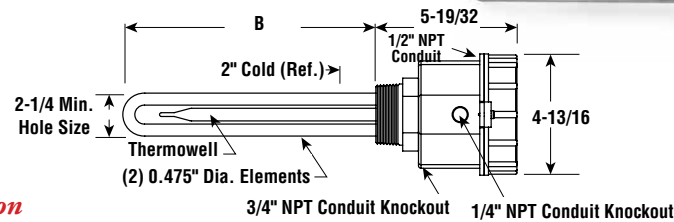
E1 — Dimensions (Inches)



E2 — Dimensions (Inches)



E4TP — Dimensions (Inches)



Specifications and Ordering Information

| | | | | | | E1 General Purpose ¹ | | | | E2 Moisture Resistant/Explosion Resistant ² | | | | E4 Moisture Resistant | | | |
|-----|-------|-------|-------------------|-----------|-------------|---------------------------------|-------|--------|------------|--|-------|--------|------------|-----------------------|-------|--------|------------|
| kW | Volts | Phase | W/In ² | No. Elem. | DIM B (In.) | Model | Stock | PCN | Wt. (Lbs.) | Model | Stock | PCN | Wt. (Lbs.) | Model | Stock | PCN | Wt. (Lbs.) |
| 1.5 | 120 | 1 | 24 | 2 | 11-3/4 | MTO-215A | S | 139740 | 3 | MTO-215E2 | NS | 288518 | 6 | MTO-215E4TP | NS | 063028 | 9 |
| 1.5 | 240 | 1 | 24 | 2 | 11-3/4 | MTO-215A | NS | 139758 | 3 | MTO-215E2 | NS | 288526 | 6 | MTO-215E4TP | NS | 063036 | 9 |
| 1.5 | 480 | 1 | 24 | 2 | 11-3/4 | MTO-215A | S | 139766 | 3 | MTO-215E2 | S | 288534 | 6 | MTO-215E4TP | NS | 063044 | 9 |
| 1.5 | 208 | 1 | 24 | 2 | 11-3/4 | MTO-215A | NS | 323627 | 3 | MTO-215E2 | NS | 323635 | 6 | MTO-215E4TP | NS | 063052 | 9 |
| 2 | 120 | 1 | 24 | 2 | 17-3/4 | MTO-220A | NS | 139774 | 4 | MTO-220E2 | NS | 288542 | 7 | MTO-220E4TP | NS | 063060 | 10 |
| 2 | 240 | 1 | 24 | 2 | 17-3/4 | MTO-220A | S | 139782 | 4 | MTO-220E2 | NS | 288550 | 7 | MTO-220E4TP | NS | 063079 | 10 |
| 2 | 480 | 1 | 24 | 2 | 17-3/4 | MTO-220A | S | 139790 | 4 | MTO-220E2 | S | 288569 | 7 | MTO-220E4TP | NS | 063087 | 10 |
| 2 | 208 | 1 | 24 | 2 | 17-3/4 | MTO-220A | NS | 323643 | 4 | MTO-220E2 | NS | 323651 | 7 | MTO-220E4TP | NS | 063095 | 10 |
| 2.5 | 120 | 1 | 26 | 2 | 19-5/8 | MTO-225A | NS | 139803 | 4 | MTO-225E2 | NS | 288577 | 7 | MTO-225E4TP | NS | 063108 | 10 |
| 2.5 | 240 | 1 | 26 | 2 | 19-5/8 | MTO-225A | S | 139811 | 4 | MTO-225E2 | NS | 288585 | 7 | MTO-225E4TP | NS | 063116 | 10 |
| 2.5 | 480 | 1 | 26 | 2 | 19-5/8 | MTO-225A | S | 139820 | 4 | MTO-225E2 | NS | 288593 | 7 | MTO-225E4TP | NS | 063124 | 10 |
| 2.5 | 208 | 1 | 26 | 2 | 19-5/8 | MTO-225A | NS | 323660 | 4 | MTO-225E2 | NS | 323678 | 7 | MTO-225E4TP | NS | 063132 | 10 |
| 3 | 120 | 1 | 23 | 2 | 24-7/8 | MTO-230A | NS | 139838 | 4 | MTO-230E2 | NS | 288606 | 7 | MTO-230E4TP | NS | 063140 | 10 |
| 3 | 240 | 1 | 23 | 2 | 24-7/8 | MTO-230A | S | 139846 | 4 | MTO-230E2 | NS | 288614 | 7 | MTO-230E4TP | NS | 063159 | 10 |
| 3 | 480 | 1 | 23 | 2 | 24-7/8 | MTO-230A | S | 139854 | 4 | MTO-230E2 | NS | 288622 | 7 | MTO-230E4TP | NS | 063167 | 10 |
| 3 | 208 | 1 | 23 | 2 | 24-7/8 | MTO-230A | NS | 323686 | 4 | MTO-230E2 | NS | 323694 | 7 | MTO-230E4TP | NS | 063175 | 10 |
| 4 | 120 | 1 | 23 | 2 | 32-3/4 | MTO-240A | NS | 139862 | 6 | MTO-240E2 | NS | 288630 | 9 | MTO-240E4TP | NS | 063183 | 12 |
| 4 | 240 | 1 | 23 | 2 | 32-3/4 | MTO-240A | S | 139870 | 6 | MTO-240E2 | NS | 288649 | 9 | MTO-240E4TP | NS | 063191 | 12 |
| 4 | 480 | 1 | 23 | 2 | 32-3/4 | MTO-240A | S | 139889 | 6 | MTO-240E2 | NS | 288657 | 9 | MTO-240E4TP | NS | 063204 | 12 |
| 4 | 208 | 1 | 23 | 2 | 32-3/4 | MTO-240A | NS | 323707 | 6 | MTO-240E2 | NS | 323715 | 9 | MTO-240E4TP | NS | 063212 | 12 |
| 5 | 120 | 1 | 23 | 2 | 40-1/4 | MTO-250A | NS | 139897 | 7 | MTO-250E2 | NS | 288665 | 10 | MTO-250E4TP | NS | 063220 | 13 |
| 5 | 240 | 1 | 23 | 2 | 40-1/4 | MTO-250A | S | 139900 | 7 | MTO-250E2 | NS | 288673 | 10 | MTO-250E4TP | NS | 063239 | 13 |
| 5 | 480 | 1 | 23 | 2 | 40-1/4 | MTO-250A | S | 139918 | 7 | MTO-250E2 | NS | 288681 | 10 | MTO-250E4TP | NS | 063247 | 13 |
| 5 | 208 | 1 | 23 | 2 | 40-1/4 | MTO-250A | NS | 323723 | 7 | MTO-250E2 | NS | 323731 | 10 | MTO-250E4TP | NS | 063255 | 13 |
| 6 | 240 | 1 | 23 | 2 | 47-3/4 | MTO-260A | S | 139926 | 7 | MTO-260E2 | NS | 288690 | 10 | MTO-260E4TP | NS | 063263 | 13 |
| 6 | 480 | 1 | 23 | 2 | 47-3/4 | MTO-260A | S | 139934 | 7 | MTO-260E2 | NS | 288702 | 10 | MTO-260E4TP | NS | 063271 | 13 |
| 6 | 208 | 1 | 23 | 2 | 47-3/4 | MTO-260A | NS | 323740 | 7 | MTO-260E2 | NS | 323758 | 10 | MTO-260E4TP | NS | 063280 | 13 |

Stock Status: S = stock NS = non-stock
To Order—Specify model, volts, phase, kW, PCN and quantity.



Same-day shipping on stock item orders received before 4 pm CST. 3-day shipping on assembly-stock items.

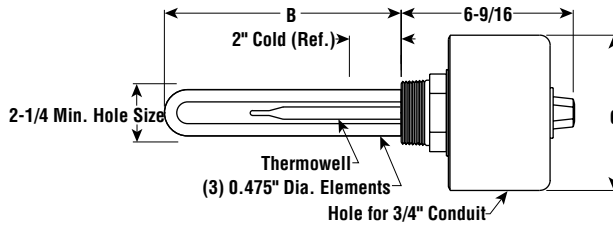
1. Heaters with General Purpose Enclosures are UL Recognized and CSA Certified.
2. Heaters with Moisture Resistant/Explosion Resistant Enclosures are _{US}CSA[®] Certified.



AREMTO-3 Light Weight Oil Applications



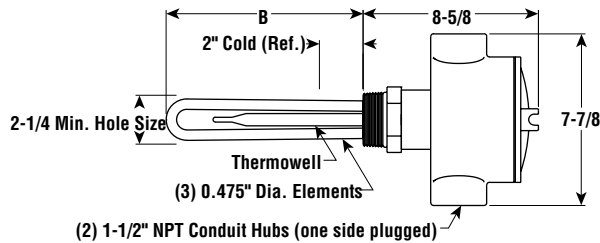
E1 — Dimensions (Inches)



- 2" NPT Steel Screw Plug
- Steel Sheath Elements
- 23 W/in²
- 3 - 9 kW
- Integral Thermostat (DPST)
- 240 and 480 Volt, Three Phase
- General Purpose or Moisture Resistant/Explosion Resistant Terminal Enclosure



E2 — Dimensions (Inches)



SCREW PLUG

Specifications and Ordering Information

| kW | Volts | Phase | W/in ² | No. Elem. | DIM B (In.) | Wt. (Lbs.) | T2 — Temperature (60 - 250°F) | | | T1 — Temperature (0 - 100°F) | | |
|--|-------|-------|-------------------|-----------|-------------|------------|-------------------------------|-------|--------|------------------------------|-------|--------|
| | | | | | | | Model | Stock | PCN | Model | Stock | PCN |
| E1 General Purpose¹ | | | | | | | | | | | | |
| 3 | 240 | 3 | 23 | 3 | 17-3/4 | 8 | AREMTO-3305T2 | NS | 099362 | AREMTO-3305T1 | NS | 034454 |
| 3 | 480 | 3 | 23 | 3 | 17-3/4 | 8 | AREMTO-3305T2 | NS | 099370 | AREMTO-3305T1 | NS | 034462 |
| 4.5 | 240 | 3 | 23 | 3 | 24-7/8 | 9 | AREMTO-3455T2 | NS | 099389 | AREMTO-3455T1 | NS | 034470 |
| 4.5 | 480 | 3 | 23 | 3 | 24-7/8 | 9 | AREMTO-3455T2 | NS | 099397 | AREMTO-3455T1 | NS | 034489 |
| 6 | 240 | 3 | 23 | 3 | 32-7/16 | 10 | AREMTO-3605T2 | NS | 099400 | AREMTO-3605T1 | NS | 034497 |
| 6 | 480 | 3 | 23 | 3 | 32-7/16 | 10 | AREMTO-3605T2 | NS | 099418 | AREMTO-3605T1 | NS | 034500 |
| 7.5 | 240 | 3 | 23 | 3 | 40-3/8 | 11 | AREMTO-3755T2 | NS | 099426 | AREMTO-3755T1 | NS | 034518 |
| 7.5 | 480 | 3 | 23 | 3 | 40-3/8 | 11 | AREMTO-3755T2 | NS | 099434 | AREMTO-3755T1 | NS | 034526 |
| 9 | 240 | 3 | 23 | 3 | 47-7/8 | 12 | AREMTO-3905T2 | NS | 099442 | AREMTO-3905T1 | NS | 034534 |
| 9 | 480 | 3 | 23 | 3 | 47-7/8 | 12 | AREMTO-3905T2 | NS | 099450 | AREMTO-3905T1 | NS | 034542 |
| E2 Moisture Resistant/Explosion Resistant² | | | | | | | | | | | | |
| 3 | 240 | 3 | 23 | 3 | 17-3/4 | 13 | AREMTO-3305E2T2 | NS | 034550 | AREMTO-3305E2T1 | NS | 034657 |
| 3 | 480 | 3 | 23 | 3 | 17-3/4 | 13 | AREMTO-3305E2T2 | NS | 034569 | AREMTO-3305E2T1 | NS | 034665 |
| 4.5 | 240 | 3 | 23 | 3 | 24-7/8 | 14 | AREMTO-3455E2T2 | NS | 034577 | AREMTO-3455E2T1 | NS | 034673 |
| 4.5 | 480 | 3 | 23 | 3 | 24-7/8 | 14 | AREMTO-3455E2T2 | NS | 034585 | AREMTO-3455E2T1 | NS | 034681 |
| 6 | 240 | 3 | 23 | 3 | 32-7/16 | 15 | AREMTO-3605E2T2 | NS | 034593 | AREMTO-3605E2T1 | NS | 034690 |
| 6 | 480 | 3 | 23 | 3 | 32-7/16 | 15 | AREMTO-3605E2T2 | NS | 034606 | AREMTO-3605E2T1 | NS | 034702 |
| 7.5 | 240 | 3 | 23 | 3 | 40-3/8 | 16 | AREMTO-3755E2T2 | NS | 034614 | AREMTO-3755E2T1 | NS | 034710 |
| 7.5 | 480 | 3 | 23 | 3 | 40-3/8 | 16 | AREMTO-3755E2T2 | NS | 034622 | AREMTO-3755E2T1 | NS | 034729 |
| 9 | 240 | 3 | 23 | 3 | 47-7/8 | 17 | AREMTO-3905E2T2 | NS | 034630 | AREMTO-3905E2T1 | NS | 034737 |
| 9 | 480 | 3 | 23 | 3 | 47-7/8 | 17 | AREMTO-3905E2T2 | NS | 034649 | AREMTO-3905E2T1 | NS | 034745 |

Stock Status: S = stock NS = non-stock
To Order—Specify model, volts, phase, kW, PCN and quantity.

1. Heaters with General Purpose Enclosures are UL Listed and CSA Certified.
 2. Heaters with Moisture Resistant/Explosion Resistant Enclosures are ^cCSA_{US}® Certified.

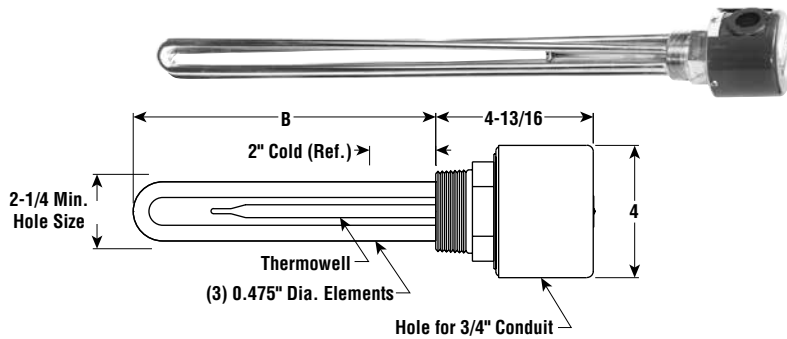
FASTShip
 Same-day shipping on stock item orders received before 4 pm CST,
 3-day shipping on assembly-stock items.

Immersion

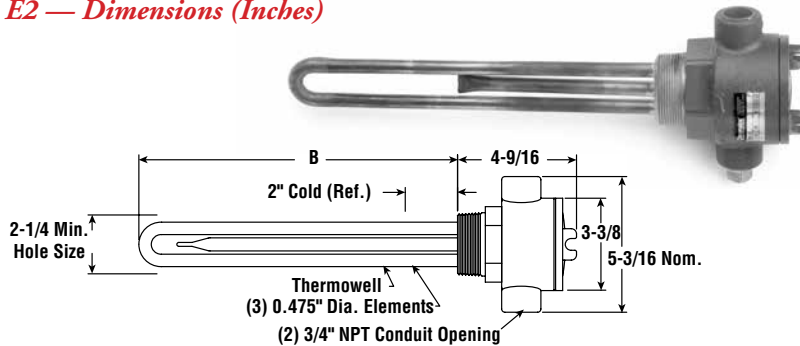
EMTO-3 Light Weight Oil Applications

- 2" NPT Steel Screw Plug
- Steel Sheath Elements
- 23 W/In²
- 3 - 9 kW
- Without Thermostat
- 240 and 480 Volt, Three Phase
- General Purpose, Moisture Resistant/Explosion Resistant Terminal Enclosure or Misture Resistant

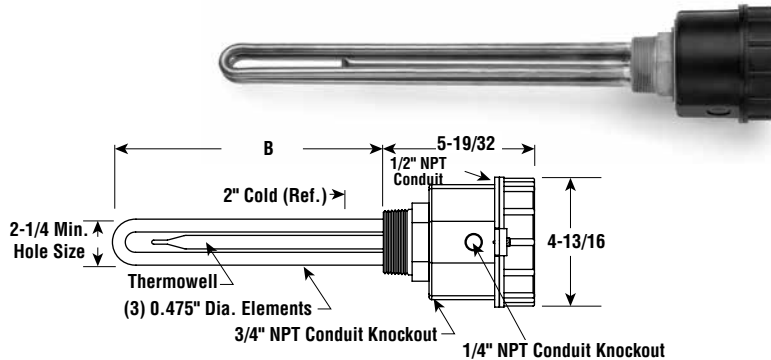
E1 — Dimensions (Inches)



E2 — Dimensions (Inches)



E4TP — Dimensions (Inches)



Specifications and Ordering Information

| | | | | | | E1 General Purpose ¹ | | | | E2 Moisture Resistant/ Explosion Resistant ² | | | | E4 Moisture Resistant | | | |
|-----|-------|-------|-------------------|-----------|-------------|---------------------------------|-------|--------|------------|--|-------|--------|------------|-----------------------|-------|--------|------------|
| kW | Volts | Phase | W/In ² | No. Elem. | DIM B (In.) | Model | Stock | PCN | Wt. (Lbs.) | Model | Stock | PCN | Wt. (Lbs.) | Model | Stock | PCN | Wt. (Lbs.) |
| 3 | 240 | 3 | 23 | 3 | 17-3/4 | EMTO-330 | NS | 099266 | 6 | EMTO-330E2 | NS | 034753 | 9 | EMTO-330E4TP | NS | 061292 | 12 |
| 3 | 480 | 3 | 23 | 3 | 17-3/4 | EMTO-330 | NS | 099274 | 6 | EMTO-330E2 | NS | 034761 | 9 | EMTO-330E4TP | NS | 061305 | 12 |
| 4.5 | 240 | 3 | 23 | 3 | 24-7/8 | EMTO-345 | NS | 099282 | 7 | EMTO-345E2 | NS | 034770 | 10 | EMTO-345E4TP | NS | 061313 | 13 |
| 4.5 | 480 | 3 | 23 | 3 | 24-7/8 | EMTO-345 | NS | 099290 | 7 | EMTO-345E2 | NS | 034788 | 10 | EMTO-345E4TP | NS | 061321 | 13 |
| 6 | 240 | 3 | 23 | 3 | 32-7/16 | EMTO-360 | NS | 099303 | 9 | EMTO-360E2 | NS | 034796 | 12 | EMTO-360E4TP | NS | 061330 | 15 |
| 6 | 480 | 3 | 23 | 3 | 32-7/16 | EMTO-360 | NS | 099311 | 9 | EMTO-360E2 | NS | 034809 | 12 | EMTO-360E4TP | NS | 061348 | 15 |
| 7.5 | 240 | 3 | 23 | 3 | 40-3/8 | EMTO-375 | NS | 099320 | 10 | EMTO-375E2 | NS | 034817 | 13 | EMTO-375E4TP | NS | 061356 | 16 |
| 7.5 | 480 | 3 | 23 | 3 | 40-3/8 | EMTO-375 | NS | 099338 | 10 | EMTO-375E2 | NS | 034825 | 13 | EMTO-375E4TP | NS | 061364 | 16 |
| 9 | 240 | 3 | 23 | 3 | 47-7/8 | EMTO-390 | NS | 099346 | 12 | EMTO-390E2 | NS | 034833 | 15 | EMTO-390E4TP | NS | 061372 | 18 |
| 9 | 480 | 3 | 23 | 3 | 47-7/8 | EMTO-390 | NS | 099354 | 12 | EMTO-390E2 | NS | 034841 | 15 | EMTO-390E4TP | NS | 061380 | 18 |

Stock Status: S = stock NS = non-stock
To Order—Specify model, volts, phase, kW, PCN and quantity.



Same-day shipping on stock item orders received before 4 pm CST.
3-day shipping on assembly-stock items.

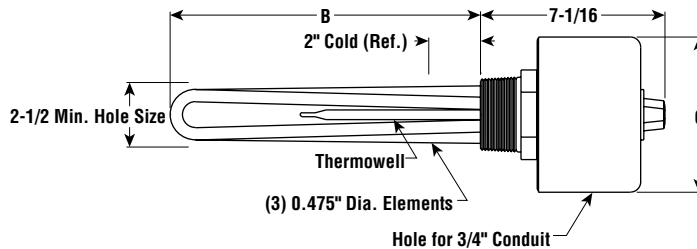
Immersion

ARMTO-3 Light Weight Oil Applications



- 2-1/2" NPT Steel Screw Plug
- Steel Sheath Elements
- 23 - 26 W/In²
- 3 - 9 kW
- Integral Thermostat (DPST)
- 208, 240 and 480 Volt, 1 and 3 Phase
- General Purpose Terminal Enclosure

E1 — Dimensions (Inches)



SCREW PLUG

Specifications and Ordering Information

| | | | | | | | T3 — Temperature (200 - 550°F) | | | T2 — Temperature (60 - 250°F) | | | T1 — Temperature (0 - 100°F) | | |
|---------------------------------------|-------|-------|-------------------|-----------|-------------|------------|--------------------------------|-------|--------|-------------------------------|----------|---------------|------------------------------|----------|---------------|
| kW | Volts | Phase | W/In ² | No. Elem. | DIM B (In.) | Wt. (Lbs.) | Model | Stock | PCN | Model | Stock | PCN | Model | Stock | PCN |
| E1 General Purpose¹ | | | | | | | | | | | | | | | |
| 3 | 208 | 1 | 24 | 3 | 17-3/8 | 9 | ARMTO-3305T3 | NS | 320012 | ARMTO-3305T2 | NS | 320020 | ARMTO-3305T1 | NS | 320039 |
| 3 | 208 | 3 | 24 | 3 | 17-3/8 | 9 | ARMTO-3305T3 | NS | 320071 | ARMTO-3305T2 | NS | 320080 | ARMTO-3305T1 | NS | 320098 |
| 3 | 240 | 1 | 24 | 3 | 17-3/8 | 9 | ARMTO-3305T3 | NS | 286731 | ARMTO-3305T2 | NS | 286723 | ARMTO-3305T1 | NS | 286715 |
| 3 | 240 | 3 | 24 | 3 | 17-3/8 | 9 | ARMTO-3305T3 | NS | 286782 | ARMTO-3305T2 | NS | 275135 | ARMTO-3305T1 | NS | 286774 |
| 3 | 480 | 1 | 24 | 3 | 17-3/8 | 9 | ARMTO-3305T3 | NS | 286846 | ARMTO-3305T2 | NS | 286838 | ARMTO-3305T1 | NS | 286820 |
| 3 | 480 | 3 | 24 | 3 | 17-3/8 | 9 | ARMTO-3305T3 | NS | 275098 | ARMTO-3305T2 | S | 275127 | ARMTO-3305T1 | S | 286889 |
| 3.75 | 208 | 1 | 26 | 3 | 19-1/8 | 10 | ARMTO-3375T3 | NS | 320135 | ARMTO-3375T2 | NS | 320143 | ARMTO-3375T1 | NS | 320151 |
| 3.75 | 208 | 3 | 26 | 3 | 19-1/8 | 10 | ARMTO-3375T3 | NS | 320194 | ARMTO-3375T2 | NS | 320207 | ARMTO-3375T1 | NS | 320215 |
| 3.75 | 240 | 1 | 26 | 3 | 19-1/8 | 10 | ARMTO-3375T3 | NS | 286934 | ARMTO-3375T2 | NS | 286926 | ARMTO-3375T1 | NS | 286918 |
| 3.75 | 240 | 3 | 26 | 3 | 19-1/8 | 10 | ARMTO-3375T3 | NS | 286985 | ARMTO-3375T2 | NS | 286977 | ARMTO-3375T1 | NS | 275143 |
| 3.75 | 480 | 1 | 26 | 3 | 19-1/8 | 10 | ARMTO-3375T3 | NS | 287048 | ARMTO-3375T2 | NS | 287030 | ARMTO-3375T1 | NS | 287021 |
| 3.75 | 480 | 3 | 26 | 3 | 19-1/8 | 10 | ARMTO-3375T3 | NS | 275100 | ARMTO-3375T2 | NS | 287099 | ARMTO-3375T1 | NS | 287080 |
| 4.5 | 208 | 1 | 24 | 3 | 24-1/2 | 11 | ARMTO-3455T3 | NS | 320258 | ARMTO-3455T2 | NS | 320266 | ARMTO-3455T1 | NS | 320274 |
| 4.5 | 208 | 3 | 24 | 3 | 24-1/2 | 11 | ARMTO-3455T3 | NS | 320311 | ARMTO-3455T2 | NS | 320320 | ARMTO-3455T1 | NS | 320338 |
| 4.5 | 240 | 1 | 24 | 3 | 24-1/2 | 11 | ARMTO-3455T3 | NS | 287144 | ARMTO-3455T2 | NS | 271169 | ARMTO-3455T1 | NS | 287136 |
| 4.5 | 240 | 3 | 24 | 3 | 24-1/2 | 11 | ARMTO-3455T3 | NS | 287208 | ARMTO-3455T2 | NS | 287195 | ARMTO-3455T1 | NS | 287187 |
| 4.5 | 480 | 1 | 24 | 3 | 24-1/2 | 11 | ARMTO-3455T3 | NS | 287275 | ARMTO-3455T2 | NS | 287267 | ARMTO-3455T1 | NS | 287259 |
| 4.5 | 480 | 3 | 24 | 3 | 24-1/2 | 11 | ARMTO-3455T3 | NS | 287312 | ARMTO-3455T2 | S | 275151 | ARMTO-3455T1 | NS | 287304 |
| 6 | 208 | 1 | 23 | 3 | 32-3/8 | 12 | ARMTO-3605T3 | NS | 320370 | ARMTO-3605T2 | NS | 320389 | ARMTO-3605T1 | NS | 320397 |
| 6 | 208 | 3 | 23 | 3 | 32-3/8 | 12 | ARMTO-3605T3 | NS | 320434 | ARMTO-3605T2 | NS | 320442 | ARMTO-3605T1 | NS | 320450 |
| 6 | 240 | 1 | 23 | 3 | 32-3/8 | 12 | ARMTO-3605T3 | NS | 287363 | ARMTO-3605T2 | NS | 271177 | ARMTO-3605T1 | NS | 287355 |
| 6 | 240 | 3 | 23 | 3 | 32-3/8 | 12 | ARMTO-3605T3 | NS | 287427 | ARMTO-3605T2 | NS | 287419 | ARMTO-3605T1 | NS | 287400 |
| 6 | 480 | 1 | 23 | 3 | 32-3/8 | 12 | ARMTO-3605T3 | NS | 287486 | ARMTO-3605T2 | NS | 287478 | ARMTO-3605T1 | NS | 287460 |
| 6 | 480 | 3 | 23 | 3 | 32-3/8 | 12 | ARMTO-3605T3 | NS | 275119 | ARMTO-3605T2 | NS | 275160 | ARMTO-3605T1 | NS | 287523 |
| 7.5 | 208 | 1 | 23 | 3 | 39-7/8 | 13 | ARMTO-3755T3 | NS | 320493 | ARMTO-3755T2 | NS | 320506 | ARMTO-3755T1 | NS | 320514 |
| 7.5 | 208 | 3 | 23 | 3 | 39-7/8 | 13 | ARMTO-3755T3 | NS | 320557 | ARMTO-3755T2 | NS | 320565 | ARMTO-3755T1 | NS | 320573 |
| 7.5 | 240 | 1 | 23 | 3 | 39-7/8 | 13 | ARMTO-3755T3 | NS | 287582 | ARMTO-3755T2 | NS | 287574 | ARMTO-3755T1 | NS | 287566 |
| 7.5 | 240 | 3 | 23 | 3 | 39-7/8 | 13 | ARMTO-3755T3 | NS | 287646 | ARMTO-3755T2 | NS | 287638 | ARMTO-3755T1 | NS | 287620 |
| 7.5 | 480 | 1 | 23 | 3 | 39-7/8 | 13 | ARMTO-3755T3 | NS | 287700 | ARMTO-3755T2 | NS | 287697 | ARMTO-3755T1 | NS | 287689 |
| 7.5 | 480 | 3 | 23 | 3 | 39-7/8 | 13 | ARMTO-3755T3 | NS | 287750 | ARMTO-3755T2 | NS | 275178 | ARMTO-3755T1 | NS | 287742 |
| 9 | 208 | 1 | 23 | 3 | 47-3/8 | 14 | ARMTO-3905T3 | NS | 320610 | ARMTO-3905T2 | NS | 320629 | ARMTO-3905T1 | NS | 320637 |
| 9 | 208 | 3 | 23 | 3 | 47-3/8 | 14 | ARMTO-3905T3 | NS | 320670 | ARMTO-3905T2 | NS | 320688 | ARMTO-3905T1 | NS | 320696 |
| 9 | 240 | 1 | 23 | 3 | 47-3/8 | 14 | ARMTO-3905T3 | NS | 287806 | ARMTO-3905T2 | NS | 287793 | ARMTO-3905T1 | NS | 287785 |
| 9 | 240 | 3 | 23 | 3 | 47-3/8 | 14 | ARMTO-3905T3 | NS | 287865 | ARMTO-3905T2 | NS | 287857 | ARMTO-3905T1 | NS | 287849 |
| 9 | 480 | 1 | 23 | 3 | 47-3/8 | 14 | ARMTO-3905T3 | NS | 287928 | ARMTO-3905T2 | NS | 287910 | ARMTO-3905T1 | NS | 287902 |
| 9 | 480 | 3 | 23 | 3 | 47-3/8 | 14 | ARMTO-3905T3 | NS | 287989 | ARMTO-3905T2 | S | 287970 | ARMTO-3905T1 | NS | 287961 |

Stock Status: S = stock NS = non-stock
To Order—Specify model, volts, phase, kW, PCN and quantity.

1. Heaters are UL Listed with T1 or T2 Temperature and CSA Certified with T1, T2 or T3 Temperature.



Same-day shipping on stock item orders received before 4 pm CST. 3-day shipping on assembly-stock items.

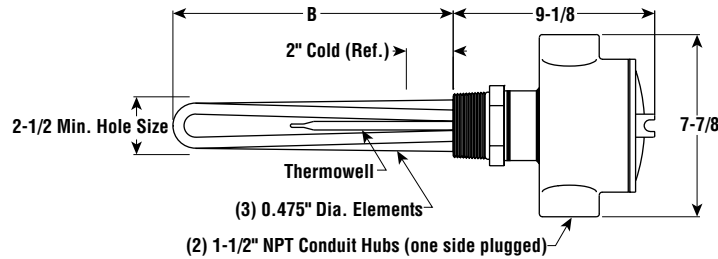
ARMTO-3

Light Weight Oil Applications *(cont'd.)*



- 2-1/2" NPT Steel Screw Plug
- Steel Sheath Elements
- 23 - 26 W/In²
- 3 - 9 kW
- Integral Thermostat (DPST)
- 208, 240 and 480 Volt, 1 and 3 Phase
- Moisture Resistant/Explosion Resistant Terminal Enclosure

E2 — Dimensions (Inches)



Same-day shipping on stock item orders received before 4 pm CST.
3-day shipping on assembly-stock items.

Specifications and Ordering Information

| | | | | | | | T3 — Temperature (200 - 550°F) | | | T2 — Temperature (60 - 250°F) | | | T1 — Temperature (0 - 100°F) | | |
|--|-------|-------|-------------------|-----------|-------------|------------|--------------------------------|-------|--------|-------------------------------|----------|---------------|------------------------------|----------|---------------|
| KW | Volts | Phase | W/In ² | No. Elem. | DIM B (In.) | Wt. (Lbs.) | Model | Stock | PCN | Model | Stock | PCN | Model | Stock | PCN |
| E2 Moisture Resistant/Explosion Resistant | | | | | | | | | | | | | | | |
| 3 | 208 | 1 | 24 | 3 | 17-3/8 | 14 | ARMTO-3305E2T3 | NS | 320047 | ARMTO-3305E2T2 | NS | 320055 | ARMTO-3305E2T1 | NS | 320063 |
| 3 | 208 | 3 | 24 | 3 | 17-3/8 | 14 | ARMTO-3305E2T3 | NS | 320100 | ARMTO-3305E2T2 | NS | 320119 | ARMTO-3305E2T1 | NS | 320127 |
| 3 | 240 | 1 | 24 | 3 | 17-3/8 | 14 | ARMTO-3305E2T3 | NS | 286766 | ARMTO-3305E2T2 | NS | 286758 | ARMTO-3305E2T1 | NS | 286740 |
| 3 | 240 | 3 | 24 | 3 | 17-3/8 | 14 | ARMTO-3305E2T3 | NS | 286811 | ARMTO-3305E2T2 | NS | 286803 | ARMTO-3305E2T1 | NS | 286790 |
| 3 | 480 | 1 | 24 | 3 | 17-3/8 | 14 | ARMTO-3305E2T3 | NS | 286870 | ARMTO-3305E2T2 | NS | 286862 | ARMTO-3305E2T1 | NS | 286854 |
| 3 | 480 | 3 | 24 | 3 | 17-3/8 | 14 | ARMTO-3305E2T3 | NS | 286900 | ARMTO-3305E2T2 | S | 275186 | ARMTO-3305E2T1 | NS | 286897 |
| 3.75 | 208 | 1 | 26 | 3 | 19-1/8 | 15 | ARMTO-3375E2T3 | NS | 320160 | ARMTO-3375E2T2 | NS | 320178 | ARMTO-3375E2T1 | NS | 320186 |
| 3.75 | 208 | 3 | 26 | 3 | 19-1/8 | 15 | ARMTO-3375E2T3 | NS | 320223 | ARMTO-3375E2T2 | NS | 320231 | ARMTO-3375E2T1 | NS | 320240 |
| 3.75 | 240 | 1 | 26 | 3 | 19-1/8 | 15 | ARMTO-3375E2T3 | NS | 286969 | ARMTO-3375E2T2 | NS | 286950 | ARMTO-3375E2T1 | NS | 286942 |
| 3.75 | 240 | 3 | 26 | 3 | 19-1/8 | 15 | ARMTO-3375E2T3 | NS | 287013 | ARMTO-3375E2T2 | NS | 287005 | ARMTO-3375E2T1 | NS | 286993 |
| 3.75 | 480 | 1 | 26 | 3 | 19-1/8 | 15 | ARMTO-3375E2T3 | NS | 287072 | ARMTO-3375E2T2 | NS | 287064 | ARMTO-3375E2T1 | NS | 287056 |
| 3.75 | 480 | 3 | 26 | 3 | 19-1/8 | 15 | ARMTO-3375E2T3 | NS | 287128 | ARMTO-3375E2T2 | NS | 287110 | ARMTO-3375E2T1 | NS | 287101 |
| 4.5 | 208 | 1 | 24 | 3 | 24-1/2 | 16 | ARMTO-3455E2T3 | NS | 320282 | ARMTO-3455E2T2 | NS | 320290 | ARMTO-3455E2T1 | NS | 320303 |
| 4.5 | 208 | 3 | 24 | 3 | 24-1/2 | 16 | ARMTO-3455E2T3 | NS | 320346 | ARMTO-3455E2T2 | NS | 320354 | ARMTO-3455E2T1 | NS | 320362 |
| 4.5 | 240 | 1 | 24 | 3 | 24-1/2 | 16 | ARMTO-3455E2T3 | NS | 287179 | ARMTO-3455E2T2 | NS | 287160 | ARMTO-3455E2T1 | NS | 287152 |
| 4.5 | 240 | 3 | 24 | 3 | 24-1/2 | 16 | ARMTO-3455E2T3 | NS | 287240 | ARMTO-3455E2T2 | NS | 287232 | ARMTO-3455E2T1 | NS | 287216 |
| 4.5 | 480 | 1 | 24 | 3 | 24-1/2 | 16 | ARMTO-3455E2T3 | NS | 287291 | ARMTO-3455E2T2 | NS | 275194 | ARMTO-3455E2T1 | NS | 287283 |
| 4.5 | 480 | 3 | 24 | 3 | 24-1/2 | 16 | ARMTO-3455E2T3 | NS | 287347 | ARMTO-3455E2T2 | S | 287339 | ARMTO-3455E2T1 | S | 287320 |
| 6 | 208 | 1 | 23 | 3 | 32-3/8 | 17 | ARMTO-3605E2T3 | NS | 320400 | ARMTO-3605E2T2 | NS | 320418 | ARMTO-3605E2T1 | NS | 320426 |
| 6 | 208 | 3 | 23 | 3 | 32-3/8 | 17 | ARMTO-3605E2T3 | NS | 320469 | ARMTO-3605E2T2 | NS | 320477 | ARMTO-3605E2T1 | NS | 320485 |
| 6 | 240 | 1 | 23 | 3 | 32-3/8 | 17 | ARMTO-3605E2T3 | NS | 287398 | ARMTO-3605E2T2 | NS | 287380 | ARMTO-3605E2T1 | NS | 287371 |
| 6 | 240 | 3 | 23 | 3 | 32-3/8 | 17 | ARMTO-3605E2T3 | NS | 287451 | ARMTO-3605E2T2 | NS | 287443 | ARMTO-3605E2T1 | NS | 287435 |
| 6 | 480 | 1 | 23 | 3 | 32-3/8 | 17 | ARMTO-3605E2T3 | NS | 287515 | ARMTO-3605E2T2 | NS | 287507 | ARMTO-3605E2T1 | NS | 287494 |
| 6 | 480 | 3 | 23 | 3 | 32-3/8 | 17 | ARMTO-3605E2T3 | NS | 287558 | ARMTO-3605E2T2 | S | 287540 | ARMTO-3605E2T1 | NS | 287531 |
| 7.5 | 208 | 1 | 23 | 3 | 39-7/8 | 18 | ARMTO-3755E2T3 | NS | 320522 | ARMTO-3755E2T2 | NS | 320530 | ARMTO-3755E2T1 | NS | 320549 |
| 7.5 | 208 | 3 | 23 | 3 | 39-7/8 | 18 | ARMTO-3755E2T3 | NS | 320581 | ARMTO-3755E2T2 | NS | 320590 | ARMTO-3755E2T1 | NS | 320602 |
| 7.5 | 240 | 1 | 23 | 3 | 39-7/8 | 18 | ARMTO-3755E2T3 | NS | 287611 | ARMTO-3755E2T2 | NS | 287603 | ARMTO-3755E2T1 | NS | 287590 |
| 7.5 | 240 | 3 | 23 | 3 | 39-7/8 | 18 | ARMTO-3755E2T3 | NS | 287670 | ARMTO-3755E2T2 | NS | 287662 | ARMTO-3755E2T1 | NS | 287654 |
| 7.5 | 480 | 1 | 23 | 3 | 39-7/8 | 18 | ARMTO-3755E2T3 | NS | 287734 | ARMTO-3755E2T2 | NS | 287726 | ARMTO-3755E2T1 | NS | 287718 |
| 7.5 | 480 | 3 | 23 | 3 | 39-7/8 | 18 | ARMTO-3755E2T3 | NS | 275207 | ARMTO-3755E2T2 | NS | 287777 | ARMTO-3755E2T1 | NS | 287769 |
| 9 | 208 | 1 | 23 | 3 | 47-3/8 | 19 | ARMTO-3905E2T3 | NS | 320645 | ARMTO-3905E2T2 | NS | 320653 | ARMTO-3905E2T1 | NS | 320661 |
| 9 | 208 | 3 | 23 | 3 | 47-3/8 | 19 | ARMTO-3905E2T3 | NS | 320709 | ARMTO-3905E2T2 | NS | 320717 | ARMTO-3905E2T1 | NS | 320725 |
| 9 | 240 | 1 | 23 | 3 | 47-3/8 | 19 | ARMTO-3905E2T3 | NS | 287830 | ARMTO-3905E2T2 | NS | 287822 | ARMTO-3905E2T1 | NS | 287814 |
| 9 | 240 | 3 | 23 | 3 | 47-3/8 | 19 | ARMTO-3905E2T3 | NS | 287890 | ARMTO-3905E2T2 | NS | 287881 | ARMTO-3905E2T1 | NS | 287873 |
| 9 | 480 | 1 | 23 | 3 | 47-3/8 | 19 | ARMTO-3905E2T3 | NS | 287953 | ARMTO-3905E2T2 | NS | 287945 | ARMTO-3905E2T1 | NS | 287937 |
| 9 | 480 | 3 | 23 | 3 | 47-3/8 | 19 | ARMTO-3905E2T3 | NS | 288016 | ARMTO-3905E2T2 | S | 288008 | ARMTO-3905E2T1 | NS | 287996 |

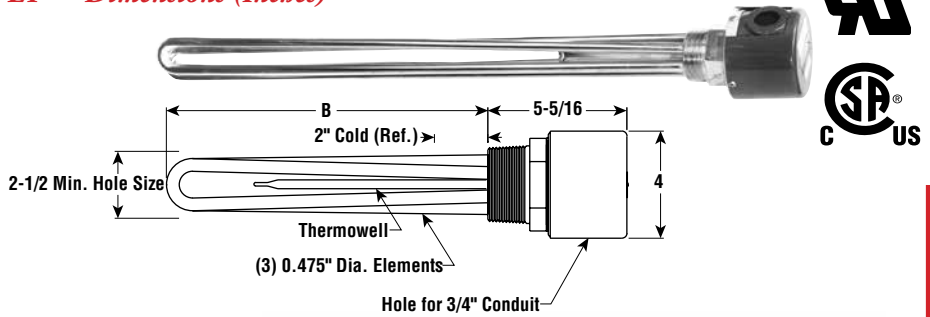
Stock Status: S = stock NS = non-stock
To Order—Specify model, volts, phase, kW, PCN and quantity.

Immersion

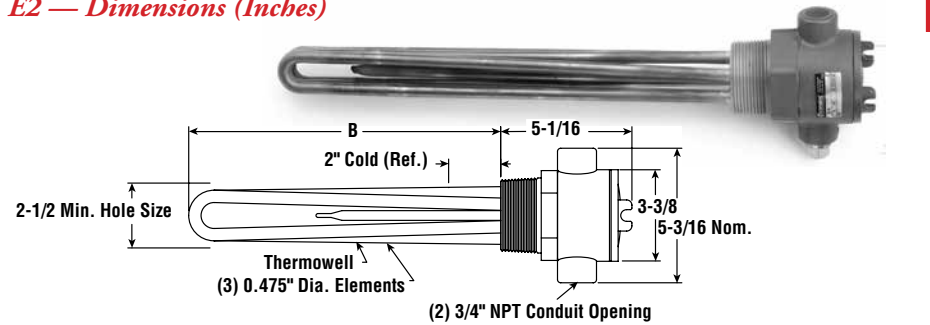
MTO-3 Light Weight Oil Applications

- 2-1/2" NPT Steel Screw Plug
- Steel Sheath Elements
- 23 - 26 W/in²
- 3 - 9 kW
- Without Thermostat
- 120, 208, 240 and 480 Volt, 1 and 3 Phase
- General Purpose, Moisture Resistant/Explosion Resistant Terminal Enclosure or Moisture Resistant

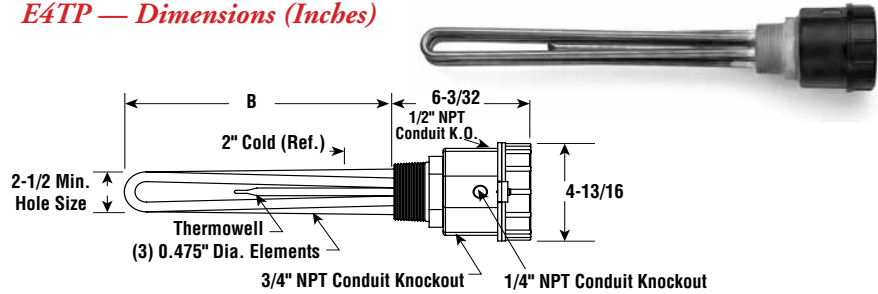
E1 — Dimensions (Inches)



E2 — Dimensions (Inches)



E4TP — Dimensions (Inches)



SCREW PLUG

FASTShip
Same-day shipping on stock item orders received before 4 pm CST.
3-day shipping on assembly-stock items.

Specifications and Ordering Information

| | | | | | | E1 General Purpose ¹ | | | | E2 Moisture Resistant/ Explosion Resistant ² | | | | E4 Moisture Resistant | | | |
|------|-------|-------|-------------------|-----------|-------------|---------------------------------|-------|--------|------------|--|-------|--------|------------|-----------------------|-------|--------|------------|
| kW | Volts | Phase | W/in ² | No. Elem. | DIM B (In.) | Model | Stock | PCN | Wt. (Lbs.) | Model | Stock | PCN | Wt. (Lbs.) | Model | Stock | PCN | Wt. (Lbs.) |
| 3 | 120 | 1 | 24 | 3 | 17-1/4 | MTO-330A | NS | 191716 | 6 | MTO-330E2 | NS | 310869 | 9 | MTO-330E4TP | NS | 064514 | 12 |
| 3 | 240 | 1 | 24 | 3 | 17-1/4 | MTO-330A | S | 191724 | 6 | MTO-330E2 | NS | 289107 | 9 | MTO-330E4TP | NS | 064522 | 12 |
| 3 | 480 | 1 | 24 | 3 | 17-1/4 | MTO-330A | S | 191732 | 6 | MTO-330E2 | NS | 289123 | 9 | MTO-330E4TP | NS | 064530 | 12 |
| 3 | 240 | 3 | 24 | 3 | 17-1/4 | MTO-330A | NS | 191759 | 6 | MTO-330E2 | NS | 289115 | 9 | MTO-330E4TP | NS | 064549 | 12 |
| 3 | 480 | 3 | 24 | 3 | 17-1/4 | MTO-330A | S | 191767 | 6 | MTO-330E2 | S | 289131 | 9 | MTO-330E4TP | NS | 064557 | 12 |
| 3 | 208 | 1 | 24 | 3 | 17-1/4 | MTO-330A | NS | 322000 | 6 | MTO-330E2 | NS | 322018 | 9 | MTO-330E4TP | NS | 064565 | 12 |
| 3 | 208 | 3 | 24 | 3 | 17-1/4 | MTO-330A | NS | 322026 | 6 | MTO-330E2 | NS | 322034 | 9 | MTO-330E4TP | NS | 064573 | 12 |
| 3.75 | 120 | 1 | 26 | 3 | 19-1/16 | MTO-337A | NS | 191775 | 6 | MTO-337E2 | NS | 310877 | 9 | MTO-337E4TP | NS | 064581 | 12 |
| 3.75 | 240 | 1 | 26 | 3 | 19-1/16 | MTO-337A | NS | 191783 | 6 | MTO-337E2 | NS | 289140 | 9 | MTO-337E4TP | NS | 064590 | 12 |
| 3.75 | 480 | 1 | 26 | 3 | 19-1/16 | MTO-337A | S | 191791 | 6 | MTO-337E2 | NS | 289166 | 9 | MTO-337E4TP | NS | 064602 | 12 |
| 3.75 | 240 | 3 | 26 | 3 | 19-1/16 | MTO-337A | NS | 191812 | 6 | MTO-337E2 | NS | 289158 | 9 | MTO-337E4TP | NS | 064610 | 12 |
| 3.75 | 480 | 3 | 26 | 3 | 19-1/16 | MTO-337A | S | 191820 | 6 | MTO-337E2 | NS | 289174 | 9 | MTO-337E4TP | NS | 064629 | 12 |
| 3.75 | 208 | 1 | 26 | 3 | 19-1/16 | MTO-337A | NS | 322042 | 6 | MTO-337E2 | NS | 322050 | 9 | MTO-337E4TP | NS | 064637 | 12 |
| 3.75 | 208 | 3 | 26 | 3 | 19-1/16 | MTO-337A | NS | 322069 | 6 | MTO-337E2 | NS | 322077 | 9 | MTO-337E4TP | NS | 064645 | 12 |
| 4.5 | 120 | 1 | 24 | 3 | 24-3/8 | MTO-345A | NS | 191839 | 6 | MTO-345E2 | NS | 310885 | 9 | MTO-345E4TP | NS | 064653 | 12 |
| 4.5 | 240 | 1 | 24 | 3 | 24-3/8 | MTO-345A | NS | 191847 | 6 | MTO-345E2 | NS | 289182 | 9 | MTO-345E4TP | NS | 064661 | 12 |
| 4.5 | 480 | 1 | 24 | 3 | 24-3/8 | MTO-345A | S | 191855 | 6 | MTO-345E2 | NS | 289203 | 9 | MTO-345E4TP | NS | 064670 | 12 |
| 4.5 | 240 | 3 | 24 | 3 | 24-3/8 | MTO-345A | NS | 191871 | 6 | MTO-345E2 | NS | 289190 | 9 | MTO-345E4TP | NS | 064688 | 12 |
| 4.5 | 480 | 3 | 24 | 3 | 24-3/8 | MTO-345A | S | 191880 | 6 | MTO-345E2 | S | 289211 | 9 | MTO-345E4TP | NS | 064696 | 12 |
| 4.5 | 208 | 1 | 24 | 3 | 24-3/8 | MTO-345A | NS | 322085 | 6 | MTO-345E2 | NS | 322093 | 9 | MTO-345E4TP | NS | 064709 | 12 |
| 4.5 | 208 | 3 | 24 | 3 | 24-3/8 | MTO-345A | NS | 322106 | 6 | MTO-345E2 | NS | 322114 | 9 | MTO-345E4TP | NS | 064717 | 12 |
| 6 | 120 | 1 | 23 | 3 | 32-1/4 | MTO-360A | NS | 191898 | 9 | MTO-360E2 | NS | 310893 | 12 | MTO-360E4TP | NS | 064725 | 15 |
| 6 | 240 | 1 | 23 | 3 | 32-1/4 | MTO-360A | NS | 191900 | 9 | MTO-360E2 | NS | 289220 | 12 | MTO-360E4TP | NS | 064733 | 15 |
| 6 | 480 | 1 | 23 | 3 | 32-1/4 | MTO-360A | S | 191919 | 9 | MTO-360E2 | NS | 289246 | 12 | MTO-360E4TP | NS | 064741 | 15 |
| 6 | 240 | 3 | 23 | 3 | 32-1/4 | MTO-360A | NS | 191935 | 9 | MTO-360E2 | NS | 289238 | 12 | MTO-360E4TP | NS | 064750 | 15 |
| 6 | 480 | 3 | 23 | 3 | 32-1/4 | MTO-360A | S | 191943 | 9 | MTO-360E2 | S | 289254 | 12 | MTO-360E4TP | NS | 064768 | 15 |
| 6 | 208 | 1 | 23 | 3 | 32-1/4 | MTO-360A | NS | 322122 | 9 | MTO-360E2 | NS | 322130 | 12 | MTO-360E4TP | NS | 064776 | 15 |
| 6 | 208 | 3 | 23 | 3 | 32-1/4 | MTO-360A | NS | 322149 | 9 | MTO-360E2 | NS | 322157 | 12 | MTO-360E4TP | NS | 064784 | 15 |

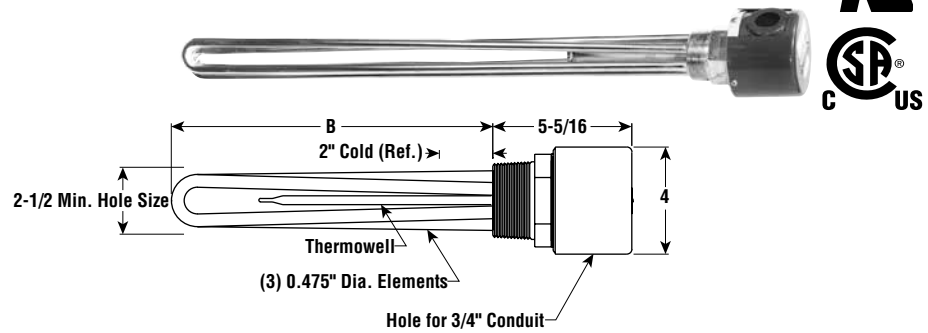
Immersion

MTO-3

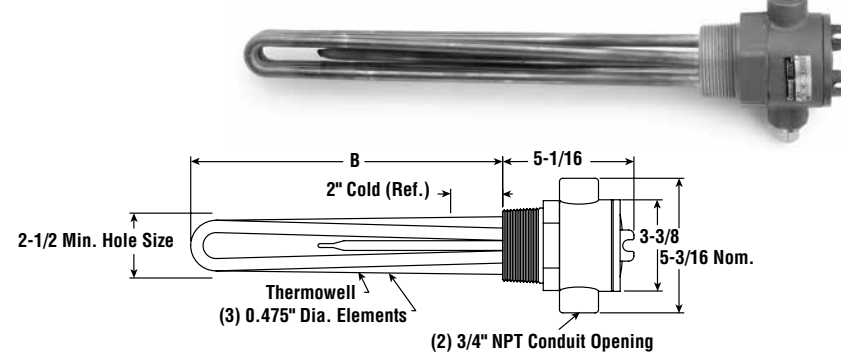
Light Weight Oil Applications (cont'd.)

- 2-1/2" NPT Steel Screw Plug
- Steel Sheath Elements
- 23 - 26 W/in²
- 3 - 9 kW
- Without Thermostat
- 120, 208, 240 and 480 Volt, 1 and 3 Phase
- General Purpose, Moisture Resistant/Explosion Resistant Terminal Enclosure or Moisture Resistant

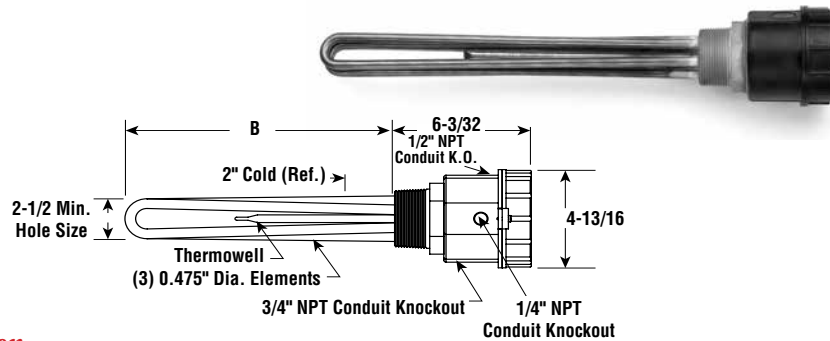
E1 — Dimensions (Inches)



E2 — Dimensions (Inches)



E4TP — Dimensions (Inches)



Specifications and Ordering Information

| | | | | | | E1 General Purpose ¹ | | | | E2 Moisture Resistant/ Explosion Resistant ² | | | | E4 Moisture Resistant | | | |
|-----|-------|-------|-------------------|-----------|-------------|---------------------------------|---------------|-----------|------------|--|---------------|-----------|------------|-----------------------|-------|--------|------------|
| kW | Volts | Phase | W/in ² | No. Elem. | DIM B (In.) | Model | Stock | PCN | Wt. (Lbs.) | Model | Stock | PCN | Wt. (Lbs.) | Model | Stock | PCN | Wt. (Lbs.) |
| 7.5 | 240 | 1 | 23 | 3 | 39-3/4 | MTO-375A | NS | 191951 | 10 | MTO-375E2 | NS | 289262 | 13 | MTO-375E4TP | NS | 064792 | 16 |
| 7.5 | 480 | 1 | 23 | 3 | 39-3/4 | MTO-375A | NS | 191960 | 10 | MTO-375E2 | NS | 289289 | 13 | MTO-375E4TP | NS | 064805 | 16 |
| 7.5 | 240 | 3 | 23 | 3 | 39-3/4 | MTO-375A S | 191978 | 10 | 10 | MTO-375E2 | NS | 289270 | 13 | MTO-375E4TP | NS | 064813 | 16 |
| 7.5 | 480 | 3 | 23 | 3 | 39-3/4 | MTO-375A S | 191986 | 10 | 10 | MTO-375E2 | NS | 289297 | 13 | MTO-375E4TP | NS | 064821 | 16 |
| 7.5 | 208 | 1 | 23 | 3 | 39-3/4 | MTO-375A | NS | 322165 | 10 | MTO-375E2 | NS | 322173 | 13 | MTO-375E4TP | NS | 064830 | 16 |
| 7.5 | 208 | 3 | 23 | 3 | 39-3/4 | MTO-375A | NS | 322181 | 10 | MTO-375E2 | NS | 322190 | 13 | MTO-375E4TP | NS | 064848 | 16 |
| 9 | 240 | 1 | 23 | 3 | 47-1/4 | MTO-390A | NS | 191994 | 11 | MTO-390E2 | NS | 289300 | 14 | MTO-390E4TP | NS | 064856 | 17 |
| 9 | 480 | 1 | 23 | 3 | 47-1/4 | MTO-390A | NS | 192006 | 11 | MTO-390E2 | NS | 289326 | 14 | MTO-390E4TP | NS | 064864 | 17 |
| 9 | 240 | 3 | 23 | 3 | 47-1/4 | MTO-390A S | 192014 | 11 | 11 | MTO-390E2 | NS | 289318 | 14 | MTO-390E4TP | NS | 064872 | 17 |
| 9 | 480 | 3 | 23 | 3 | 47-1/4 | MTO-390A S | 192022 | 11 | 11 | MTO-390E2 S | 289334 | 14 | 14 | MTO-390E4TP | NS | 064880 | 17 |
| 9 | 208 | 1 | 23 | 3 | 47-1/4 | MTO-390A | NS | 322202 | 11 | MTO-390E2 | NS | 322210 | 14 | MTO-390E4TP | NS | 064899 | 17 |
| 9 | 208 | 3 | 23 | 3 | 47-1/4 | MTO-390A | NS | 322229 | 11 | MTO-390E2 | NS | 322237 | 14 | MTO-390E4TP | NS | 064901 | 17 |

Stock Status: S = stock NS = non-stock
To Order—Specify model, volts, phase, kW, PCN and quantity.



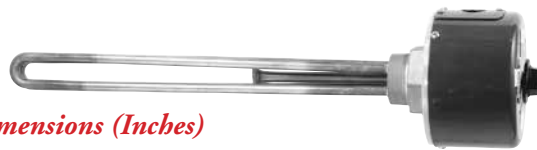
1. Heaters with General Purpose Enclosures are UL Recognized and CSA Certified.
2. Heaters with Moisture Resistant/Explosion Resistant Enclosures are _CCSA_{US}® Certified.

Same-day shipping on stock item orders received before 4 pm CST.
3-day shipping on assembly-stock items.

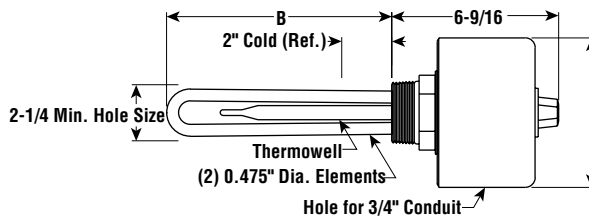
Immersion

ARMTO-2 Medium Weight Oil Applications

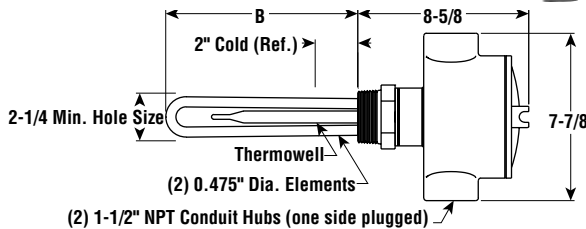
- 2" NPT Steel Screw Plug
- Steel Sheath Elements
- 15 W/in²
- 2 - 6 kW
- Integral Thermostat (DPST)
- 240 and 480 Volt, Single Phase
- General Purpose or Moisture Resistant/Explosion Resistant Terminal Enclosure



E1 — Dimensions (Inches)



E2 — Dimensions (Inches)



SCREW PLUG



Same-day shipping on stock item orders received before 4 pm CST. 3-day shipping on assembly-stock items.

Specifications and Ordering Information

| | | | | | | | | T3 — Temperature (200 - 550°F) | | | T2 — Temperature (60 - 250°F) | | | T1 — Temperature (0 - 100°F) | | |
|--|-------|-------|-------------------|-----------|-------------|------------|----------------|--------------------------------|--------|----------------|-------------------------------|--------|----------------|------------------------------|--------|--|
| kW | Volts | Phase | W/in ² | No. Elem. | DIM B (In.) | Wt. (Lbs.) | Model | Stock | PCN | Model | Stock | PCN | Model | Stock | PCN | |
| E1 General Purpose¹ | | | | | | | | | | | | | | | | |
| 2 | 240 | 1 | 15 | 2 | 24-7/8 | 8 | ARMTO-2020T3 | NS | 324208 | ARMTO-2020T2 | NS | 324216 | ARMTO-2020T1 | NS | 324224 | |
| 2 | 480 | 1 | 15 | 2 | 24-7/8 | 8 | ARMTO-2020T3 | NS | 324267 | ARMTO-2020T2 | NS | 324275 | ARMTO-2020T1 | NS | 324283 | |
| 2.66 | 240 | 1 | 15 | 2 | 32-3/4 | 9 | ARMTO-2026T3 | NS | 324320 | ARMTO-2026T2 | NS | 324339 | ARMTO-2026T1 | NS | 324347 | |
| 2.66 | 480 | 1 | 15 | 2 | 32-3/4 | 9 | ARMTO-2026T3 | NS | 324380 | ARMTO-2026T2 | NS | 324398 | ARMTO-2026T1 | NS | 324400 | |
| 3.33 | 240 | 1 | 15 | 2 | 40-1/4 | 9 | ARMTO-2033T3 | NS | 324443 | ARMTO-2033T2 | NS | 324451 | ARMTO-2033T1 | NS | 324460 | |
| 3.33 | 480 | 1 | 15 | 2 | 40-1/4 | 9 | ARMTO-2033T3 | NS | 324507 | ARMTO-2033T2 | NS | 324515 | ARMTO-2033T1 | NS | 324523 | |
| 4 | 208 | 1 | 15 | 2 | 47-3/4 | 10 | ARMTO-2040T3 | NS | 324566 | ARMTO-2040T2 | NS | 324574 | ARMTO-2040T1 | NS | 324582 | |
| 4 | 240 | 1 | 15 | 2 | 47-3/4 | 10 | ARMTO-2040T3 | NS | 324620 | ARMTO-2040T2 | NS | 324638 | ARMTO-2040T1 | NS | 324646 | |
| 4 | 480 | 1 | 15 | 2 | 47-3/4 | 10 | ARMTO-2040T3 | NS | 324689 | ARMTO-2040T2 | NS | 324697 | ARMTO-2040T1 | NS | 324700 | |
| 5 | 240 | 1 | 15 | 2 | 57-1/2 | 11 | ARMTO-2050T3 | NS | 324742 | ARMTO-2050T2 | NS | 324750 | ARMTO-2050T1 | NS | 324769 | |
| 5 | 480 | 1 | 15 | 2 | 57-1/2 | 11 | ARMTO-2050T3 | NS | 324806 | ARMTO-2050T2 | NS | 324814 | ARMTO-2050T1 | NS | 324822 | |
| 6 | 240 | 1 | 15 | 2 | 67-3/4 | 12 | ARMTO-2060T3 | NS | 324865 | ARMTO-2060T2 | NS | 324873 | ARMTO-2060T1 | NS | 324881 | |
| 6 | 480 | 1 | 15 | 2 | 67-3/4 | 12 | ARMTO-2060T3 | NS | 324929 | ARMTO-2060T2 | NS | 324937 | ARMTO-2060T1 | NS | 324945 | |
| E2 Moisture Resistant/Explosion Resistant² | | | | | | | | | | | | | | | | |
| 2 | 240 | 1 | 15 | 2 | 24-7/8 | 13 | ARMTO-2020E2T3 | NS | 324232 | ARMTO-2020E2T2 | NS | 324240 | ARMTO-2020E2T1 | NS | 324259 | |
| 2 | 480 | 1 | 15 | 2 | 24-7/8 | 13 | ARMTO-2020E2T3 | NS | 324291 | ARMTO-2020E2T2 | NS | 324304 | ARMTO-2020E2T1 | NS | 324312 | |
| 2.66 | 240 | 1 | 15 | 2 | 32-3/4 | 14 | ARMTO-2026E2T3 | NS | 324355 | ARMTO-2026E2T2 | NS | 324363 | ARMTO-2026E2T1 | NS | 324371 | |
| 2.66 | 480 | 1 | 15 | 2 | 32-3/4 | 14 | ARMTO-2026E2T3 | NS | 324419 | ARMTO-2026E2T2 | NS | 324427 | ARMTO-2026E2T1 | NS | 324435 | |
| 3.33 | 240 | 1 | 15 | 2 | 40-1/4 | 14 | ARMTO-2033E2T3 | NS | 324478 | ARMTO-2033E2T2 | NS | 324486 | ARMTO-2033E2T1 | NS | 324494 | |
| 3.33 | 480 | 1 | 15 | 2 | 40-1/4 | 14 | ARMTO-2033E2T3 | NS | 324531 | ARMTO-2033E2T2 | NS | 324540 | ARMTO-2033E2T1 | NS | 324558 | |
| 4 | 208 | 1 | 15 | 2 | 47-3/4 | 15 | ARMTO-2040E2T3 | NS | 324590 | ARMTO-2040E2T2 | NS | 324603 | ARMTO-2040E2T1 | NS | 324611 | |
| 4 | 240 | 1 | 15 | 2 | 47-3/4 | 15 | ARMTO-2040E2T3 | NS | 324654 | ARMTO-2040E2T2 | NS | 324662 | ARMTO-2040E2T1 | NS | 324670 | |
| 4 | 480 | 1 | 15 | 2 | 47-3/4 | 15 | ARMTO-2040E2T3 | NS | 324718 | ARMTO-2040E2T2 | NS | 324726 | ARMTO-2040E2T1 | NS | 324734 | |
| 5 | 240 | 1 | 15 | 2 | 57-1/2 | 16 | ARMTO-2050E2T3 | NS | 324777 | ARMTO-2050E2T2 | NS | 324785 | ARMTO-2050E2T1 | NS | 324793 | |
| 5 | 480 | 1 | 15 | 2 | 57-1/2 | 16 | ARMTO-2050E2T3 | NS | 324830 | ARMTO-2050E2T2 | NS | 324849 | ARMTO-2050E2T1 | NS | 324857 | |
| 6 | 240 | 1 | 15 | 2 | 67-3/4 | 17 | ARMTO-2060E2T3 | NS | 324890 | ARMTO-2060E2T2 | NS | 324902 | ARMTO-2060E2T1 | NS | 324910 | |
| 6 | 480 | 1 | 15 | 2 | 67-3/4 | 17 | ARMTO-2060E2T3 | NS | 324953 | ARMTO-2060E2T2 | NS | 324961 | ARMTO-2060E2T1 | NS | 324970 | |

Stock Status: S = stock NS = non-stock
To Order—Specify model, volts, phase, kW, PCN and quantity.

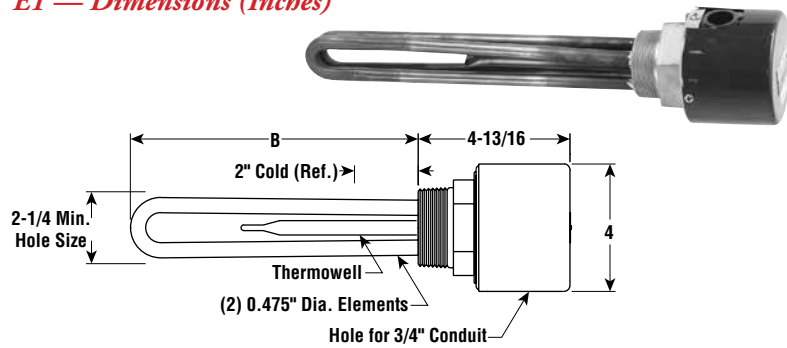
1. Heaters with General Purpose Enclosures are UL Listed with T1 or T2 Temperature and CSA Certified with T1, T2 or T3 Temperature.
2. Heaters with Moisture Resistant/Explosion Resistant Enclosures are _CCSA_{US}® Certified with T1, T2 or T3 Temperature.

Immersion

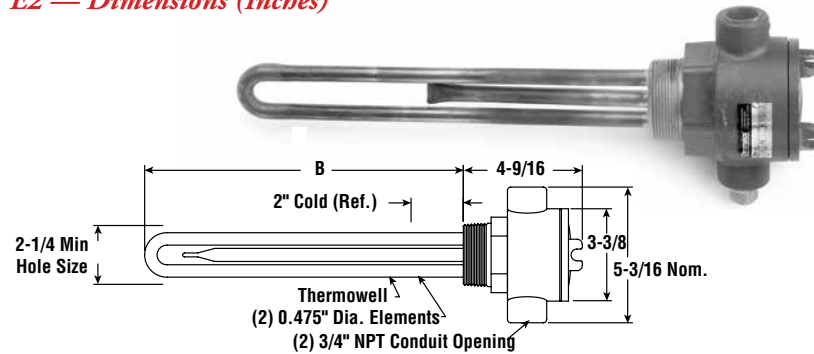
MTO-2 Medium Weight Oil Applications

- 2" NPT Steel Screw Plug
- Steel Sheath Elements
- 15 W/in²
- 2 - 6 kW
- Without Thermostat
- 240 and 480 Volt, Single Phase
- General Purpose, Moisture Resistant/Explosion Resistant Terminal Enclosure or Moisture Resistant

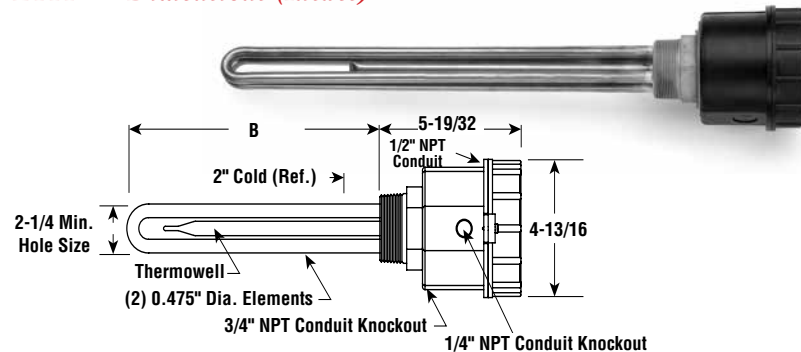
E1 — Dimensions (Inches)



E2 — Dimensions (Inches)



E4TP — Dimensions (Inches)



Specifications and Ordering Information

| | | | | | | E1 General Purpose ¹ | | | | E2 Moisture Resistant/ Explosion Resistant ² | | | | E4 Moisture Resistant | | | |
|------|-------|-------|-------------------|-----------|-------------|---------------------------------|-------|--------|------------|--|-------|--------|------------|-----------------------|-------|--------|------------|
| kW | Volts | Phase | W/in ² | No. Elem. | DIM B (In.) | Model | Stock | PCN | Wt. (Lbs.) | Model | Stock | PCN | Wt. (Lbs.) | Model | Stock | PCN | Wt. (Lbs.) |
| 2 | 240 | 1 | 15 | 2 | 24-7/8 | MTO-2020 | NS | 323766 | 4 | MTO-2020E2 | NS | 323774 | 7 | MTO-2020E4TP | NS | 062893 | 10 |
| 2 | 480 | 1 | 15 | 2 | 24-7/8 | MTO-2020 | NS | 323782 | 4 | MTO-2020E2 | NS | 323790 | 7 | MTO-2020E4TP | NS | 062906 | 10 |
| 2.66 | 240 | 1 | 15 | 2 | 32-3/4 | MTO-2026 | NS | 323803 | 6 | MTO-2026E2 | NS | 323811 | 9 | MTO-2026E4TP | NS | 062914 | 12 |
| 2.66 | 480 | 1 | 15 | 2 | 32-3/4 | MTO-2026 | NS | 323820 | 6 | MTO-2026E2 | NS | 323838 | 9 | MTO-2026E4TP | NS | 062922 | 12 |
| 3.33 | 240 | 1 | 15 | 2 | 40-1/4 | MTO-2033 | NS | 323846 | 7 | MTO-2033E2 | NS | 323854 | 10 | MTO-2033E4TP | NS | 062930 | 13 |
| 3.33 | 480 | 1 | 15 | 2 | 40-1/4 | MTO-2033 | NS | 323862 | 7 | MTO-2033E2 | NS | 323870 | 10 | MTO-2033E4TP | NS | 062949 | 13 |
| 4 | 208 | 1 | 15 | 2 | 47-3/4 | MTO-2040 | NS | 323889 | 7 | MTO-2040E2 | NS | 323897 | 10 | MTO-2040E4TP | NS | 062957 | 13 |
| 4 | 240 | 1 | 15 | 2 | 47-3/4 | MTO-2040 | NS | 323900 | 7 | MTO-2040E2 | NS | 323918 | 10 | MTO-2040E4TP | NS | 062965 | 13 |
| 4 | 480 | 1 | 15 | 2 | 47-3/4 | MTO-2040 | NS | 323926 | 7 | MTO-2040E2 | NS | 323934 | 10 | MTO-2040E4TP | NS | 062973 | 13 |
| 5 | 240 | 1 | 15 | 2 | 57-1/2 | MTO-2050 | NS | 323942 | 8 | MTO-2050E2 | NS | 323950 | 11 | MTO-2050E4TP | NS | 062981 | 14 |
| 5 | 480 | 1 | 15 | 2 | 57-1/2 | MTO-2050 | NS | 323969 | 8 | MTO-2050E2 | NS | 323977 | 11 | MTO-2050E4TP | NS | 062990 | 14 |
| 6 | 240 | 1 | 15 | 2 | 67-3/4 | MTO-2060 | NS | 323985 | 9 | MTO-2060E2 | NS | 323993 | 12 | MTO-2060E4TP | NS | 063001 | 15 |
| 6 | 480 | 1 | 15 | 2 | 67-3/4 | MTO-2060 | NS | 324005 | 9 | MTO-2060E2 | NS | 324013 | 12 | MTO-2060E4TP | NS | 063010 | 15 |

Stock Status: S = stock NS = non-stock
To Order—Specify model, volts, phase, kW, PCN and quantity.



1. Heaters with General Purpose Enclosures are UL Recognized and CSA Certified.
2. Heaters with Moisture Resistant/Explosion Resistant Enclosures are CSA_{US}® Certified.

Same-day shipping on stock item orders received before 4 pm CST.
3-day shipping on assembly-stock items.



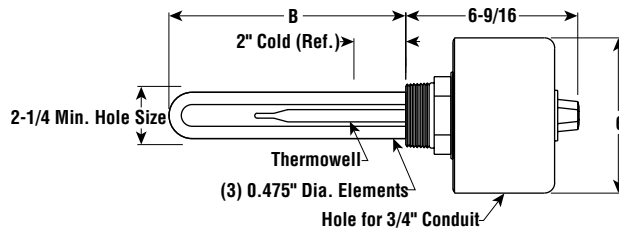
AREMTO-3 Medium Weight Oil Applications

- 2" NPT Steel Screw Plug
- Steel Sheath Elements
- 15 W/in²
- 3 - 9 kW
- Integral Thermostat (DPST)
- 240 and 480 Volt, Three Phase
- General Purpose or Moisture Resistant/Explosion Resistant Terminal Enclosure

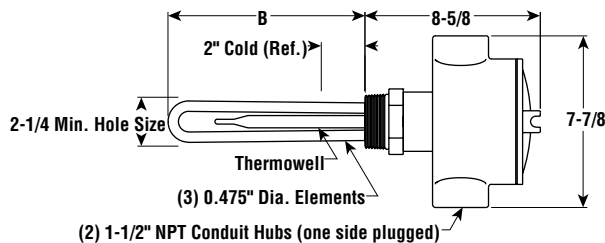
SCREW PLUG



E1 — Dimensions (Inches)



E2 — Dimensions (Inches)



Specifications and Ordering Information

| kW | Volts | Phase | W/in ² | No. Elem. | DIM B (In.) | Wt. (Lbs.) | T2 — Temperature (60 - 250°F) | | | T1 — Temperature (0 - 100°F) | | |
|--|-------|-------|-------------------|-----------|-------------|------------|-------------------------------|-------|--------|------------------------------|-------|--------|
| | | | | | | | Model | Stock | PCN | Model | Stock | PCN |
| E1 General Purpose¹ | | | | | | | | | | | | |
| 3 | 240 | 3 | 15 | 3 | 24-7/8 | 9 | AREMTO-30305T2 | NS | 099565 | AREMTO-30305T1 | NS | 034850 |
| 3 | 480 | 3 | 15 | 3 | 24-7/8 | 9 | AREMTO-30305T2 | NS | 099573 | AREMTO-30305T1 | NS | 034868 |
| 4 | 240 | 3 | 15 | 3 | 32-7/16 | 10 | AREMTO-30405T2 | NS | 099581 | AREMTO-30405T1 | NS | 034876 |
| 4 | 480 | 3 | 15 | 3 | 32-7/16 | 10 | AREMTO-30405T2 | NS | 099590 | AREMTO-30405T1 | NS | 034884 |
| 5 | 240 | 3 | 15 | 3 | 40-3/8 | 11 | AREMTO-30505T2 | NS | 099602 | AREMTO-30505T1 | NS | 034892 |
| 5 | 480 | 3 | 15 | 3 | 40-3/8 | 11 | AREMTO-30505T2 | NS | 099610 | AREMTO-30505T1 | NS | 034905 |
| 6 | 240 | 3 | 15 | 3 | 47-7/8 | 12 | AREMTO-30605T2 | NS | 099629 | AREMTO-30605T1 | NS | 034913 |
| 6 | 480 | 3 | 15 | 3 | 47-7/8 | 12 | AREMTO-30605T2 | NS | 099637 | AREMTO-30605T1 | NS | 034921 |
| 9 | 240 | 3 | 15 | 3 | 67-3/4 | 14 | AREMTO-30905T2 | NS | 099645 | AREMTO-30905T1 | NS | 034930 |
| 9 | 480 | 3 | 15 | 3 | 67-3/4 | 14 | AREMTO-30905T2 | NS | 099633 | AREMTO-30905T1 | NS | 034948 |
| E2 Moisture Resistant/Explosion Resistant² | | | | | | | | | | | | |
| 3 | 240 | 3 | 15 | 3 | 24-7/8 | 14 | AREMTO-30305E2T2 | NS | 034956 | AREMTO-30305E2T1 | NS | 035051 |
| 3 | 480 | 3 | 15 | 3 | 24-7/8 | 14 | AREMTO-30305E2T2 | NS | 034964 | AREMTO-30305E2T1 | NS | 035060 |
| 4 | 240 | 3 | 15 | 3 | 32-7/16 | 15 | AREMTO-30405E2T2 | NS | 034972 | AREMTO-30405E2T1 | NS | 035078 |
| 4 | 480 | 3 | 15 | 3 | 32-7/16 | 15 | AREMTO-30405E2T2 | NS | 034980 | AREMTO-30405E2T1 | NS | 035086 |
| 5 | 240 | 3 | 15 | 3 | 40-3/8 | 16 | AREMTO-30505E2T2 | NS | 034999 | AREMTO-30505E2T1 | NS | 035094 |
| 5 | 480 | 3 | 15 | 3 | 40-3/8 | 16 | AREMTO-30505E2T2 | NS | 035000 | AREMTO-30505E2T1 | NS | 035107 |
| 6 | 240 | 3 | 15 | 3 | 47-7/8 | 17 | AREMTO-30605E2T2 | NS | 035019 | AREMTO-30605E2T1 | NS | 035115 |
| 6 | 480 | 3 | 15 | 3 | 47-7/8 | 17 | AREMTO-30605E2T2 | NS | 035027 | AREMTO-30605E2T1 | NS | 035123 |
| 9 | 240 | 3 | 15 | 3 | 67-3/4 | 19 | AREMTO-30905E2T2 | NS | 035035 | AREMTO-30905E2T1 | NS | 035131 |
| 9 | 480 | 3 | 15 | 3 | 67-3/4 | 19 | AREMTO-30905E2T2 | NS | 035043 | AREMTO-30905E2T1 | NS | 035140 |

Stock Status: S = stock NS = non-stock
To Order—Specify model, volts, phase, kW, PCN and quantity.



1. Heaters with General Purpose Enclosures are UL Listed and CSA Certified.
2. Heaters with Moisture Resistant/Explosion Resistant Enclosures are CSA_{US} Certified.

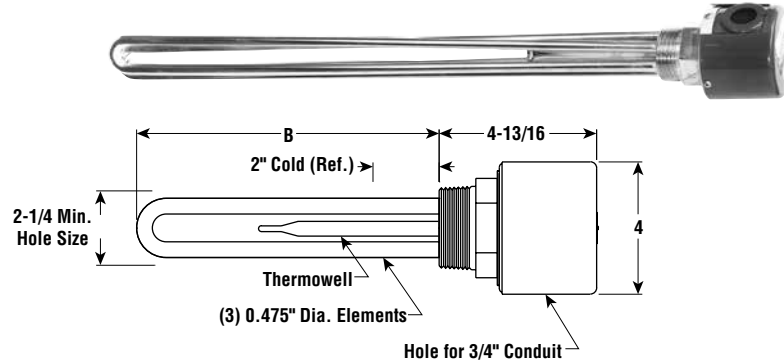
Same-day shipping on stock item orders received before 4 pm CST.
 3-day shipping on assembly-stock items.

Immersion

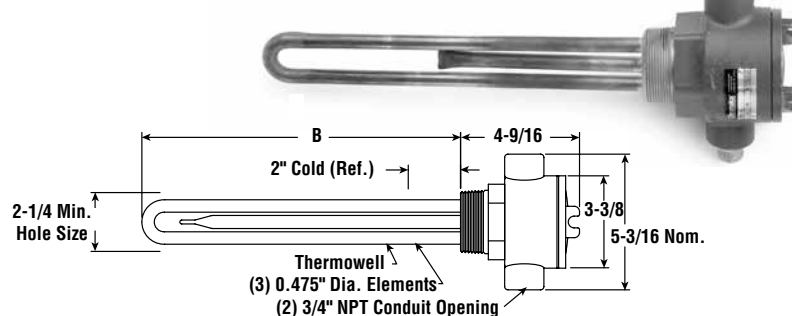
EMTO-3 Medium Weight Oil Applications

- 2" NPT Steel Screw Plug
- Steel Sheath Elements
- 15 W/in²
- 3 - 9 kW
- Without Thermostat
- 240 and 480 Volt, Three Phase
- General Purpose, Moisture Resistant/Explosion Resistant Terminal Enclosure or Moisture Resistant

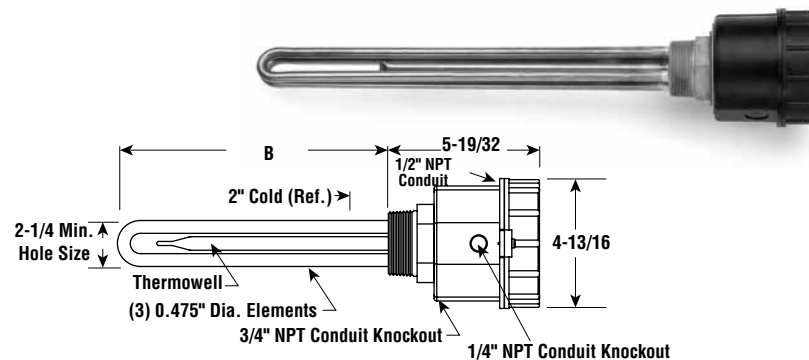
E1 — Dimensions (Inches)



E2 — Dimensions (Inches)



E4TP — Dimensions (Inches)



Specifications and Ordering Information

| | | | | | | E1 General Purpose ¹ | | | | E2 Moisture Resistant/ Explosion Resistant ² | | | | E4 Moisture Resistant | | | |
|----|-------|-------|-------------------|-----------|-------------|---------------------------------|-------|--------|------------|--|-------|--------|------------|-----------------------|-------|--------|------------|
| kW | Volts | Phase | W/in ² | No. Elem. | DIM B (In.) | Model | Stock | PCN | Wt. (Lbs.) | Model | Stock | PCN | Wt. (Lbs.) | Model | Stock | PCN | Wt. (Lbs.) |
| 3 | 240 | 3 | 15 | 3 | 24-7/8 | EMTO-3030 | NS | 099469 | 7 | EMTO-3030E2 | NS | 035158 | 10 | EMTO-3030E4TP | NS | 061170 | 13 |
| 3 | 480 | 3 | 15 | 3 | 24-7/8 | EMTO-3030 | NS | 099477 | 7 | EMTO-3030E2 | NS | 035166 | 10 | EMTO-3030E4TP | NS | 061188 | 13 |
| 4 | 240 | 3 | 15 | 3 | 32-7/16 | EMTO-3040 | NS | 099485 | 9 | EMTO-3040E2 | NS | 035174 | 12 | EMTO-3040E4TP | NS | 061217 | 15 |
| 4 | 480 | 3 | 15 | 3 | 32-7/16 | EMTO-3040 | NS | 099493 | 9 | EMTO-3040E2 | NS | 035182 | 12 | EMTO-3040E4TP | NS | 061225 | 15 |
| 5 | 240 | 3 | 15 | 3 | 40-3/8 | EMTO-3050 | NS | 099506 | 10 | EMTO-3050E2 | NS | 035190 | 13 | EMTO-3050E4TP | NS | 061233 | 16 |
| 5 | 480 | 3 | 15 | 3 | 40-3/8 | EMTO-3050 | NS | 099514 | 10 | EMTO-3050E2 | NS | 035203 | 13 | EMTO-3050E4TP | NS | 061241 | 16 |
| 6 | 240 | 3 | 15 | 3 | 47-7/8 | EMTO-3060 | NS | 099522 | 12 | EMTO-3060E2 | NS | 035211 | 15 | EMTO-3060E4TP | NS | 061250 | 18 |
| 6 | 480 | 3 | 15 | 3 | 47-7/8 | EMTO-3060 | NS | 099530 | 12 | EMTO-3060E2 | NS | 035220 | 15 | EMTO-3060E4TP | NS | 061268 | 18 |
| 9 | 240 | 3 | 15 | 3 | 67-3/4 | EMTO-3090 | NS | 099549 | 14 | EMTO-3090E2 | NS | 035238 | 17 | EMTO-3090E4TP | NS | 061276 | 20 |
| 9 | 480 | 3 | 15 | 3 | 67-3/4 | EMTO-3090 | NS | 099557 | 14 | EMTO-3090E2 | NS | 035246 | 17 | EMTO-3090E4TP | NS | 061284 | 20 |

Stock Status: S = stock NS = non-stock
To Order—Specify model, volts, phase, kW, PCN and quantity.



1. Heaters with General Purpose Enclosures are UL Recognized and CSA Certified.
2. Heaters with Moisture Resistant/Explosion Resistant Enclosures are cCSA_{US}® Certified.

Same-day shipping on stock item orders received before 4 pm CST.
3-day shipping on assembly-stock items.

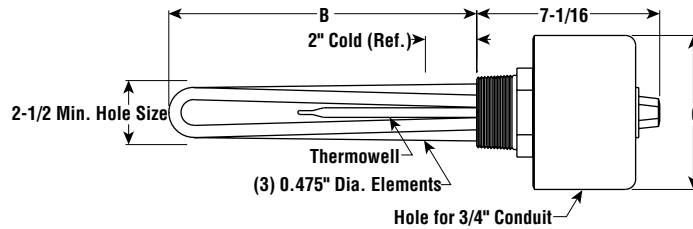


ARMTO-3 Medium Weight Oil Applications

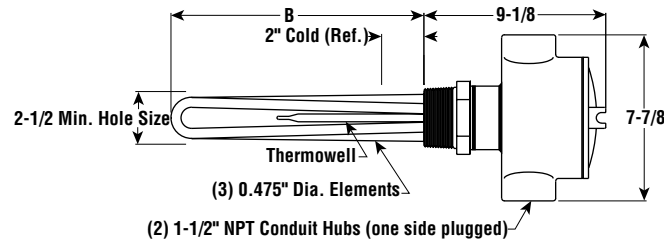
- 2-1/2" NPT Steel Screw Plug
- Steel Sheath Elements
- 15 W/In²
- 3 - 9 kW
- Integral Thermostat (DPST)
- 240 and 480 Volt, Three Phase
- General Purpose or Moisture Resistant/Explosion Resistant Terminal Enclosure



E1 — Dimensions (Inches)



E2 — Dimensions (Inches)



Same-day shipping on stock item
orders received before 4 pm CST.
3-day shipping on assembly-stock items.

Specifications and Ordering Information

| | | | | | | | T3 — Temperature (200 - 550°F) | | | T2 — Temperature (60 - 250°F) | | | T1 — Temperature (0 - 100°F) | | |
|--|-------|-------|-------------------|-----------|-------------|------------|--------------------------------|-------|--------|-------------------------------|-------|--------|------------------------------|-------|--------|
| kW | Volts | Phase | W/In ² | No. Elem. | DIM B (In.) | Wt. (Lbs.) | Model | Stock | PCN | Model | Stock | PCN | Model | Stock | PCN |
| E1 General Purpose¹ | | | | | | | | | | | | | | | |
| 3 | 240 | 3 | 15 | 3 | 24-1/2 | 11 | ARMTO-303T3 | NS | 324988 | ARMTO-303T2 | NS | 324996 | ARMTO-303T1 | NS | 325008 |
| 3 | 480 | 3 | 15 | 3 | 24-1/2 | 11 | ARMTO-303T3 | NS | 325040 | ARMTO-303T2 | NS | 325059 | ARMTO-303T1 | NS | 325067 |
| 4 | 240 | 3 | 15 | 3 | 32-3/8 | 12 | ARMTO-304T3 | NS | 325104 | ARMTO-304T2 | NS | 325112 | ARMTO-304T1 | NS | 325120 |
| 4 | 480 | 3 | 15 | 3 | 32-3/8 | 12 | ARMTO-304T3 | NS | 325163 | ARMTO-304T2 | NS | 325171 | ARMTO-304T1 | NS | 325180 |
| 5 | 240 | 3 | 15 | 3 | 39-7/8 | 13 | ARMTO-305T3 | NS | 325227 | ARMTO-305T2 | NS | 325235 | ARMTO-305T1 | NS | 325243 |
| 6 | 240 | 3 | 15 | 3 | 47-3/8 | 14 | ARMTO-306T3 | NS | 325286 | ARMTO-306T2 | NS | 325294 | ARMTO-306T1 | NS | 325307 |
| 6 | 480 | 3 | 15 | 3 | 47-3/8 | 14 | ARMTO-306T3 | NS | 325340 | ARMTO-306T2 | NS | 325358 | ARMTO-306T1 | NS | 325366 |
| 7.5 | 240 | 3 | 15 | 3 | 57 | 15 | ARMTO-307T3 | NS | 325403 | ARMTO-307T2 | NS | 325411 | ARMTO-307T1 | NS | 325420 |
| 9 | 240 | 3 | 15 | 3 | 67-3/8 | 16 | ARMTO-309T3 | NS | 325462 | ARMTO-309T2 | NS | 325470 | ARMTO-309T1 | NS | 325489 |
| E2 Moisture Resistant/Explosion Resistant² | | | | | | | | | | | | | | | |
| 3 | 240 | 3 | 15 | 3 | 24-1/2 | 16 | ARMTO-303E2T3 | NS | 325016 | ARMTO-303E2T2 | NS | 325024 | ARMTO-303E2T1 | NS | 325032 |
| 3 | 480 | 3 | 15 | 3 | 24-1/2 | 16 | ARMTO-303E2T3 | NS | 325075 | ARMTO-303E2T2 | NS | 325083 | ARMTO-303E2T1 | NS | 325091 |
| 4 | 240 | 3 | 15 | 3 | 32-3/8 | 17 | ARMTO-304E2T3 | NS | 325139 | ARMTO-304E2T2 | NS | 325147 | ARMTO-304E2T1 | NS | 325155 |
| 4 | 480 | 3 | 15 | 3 | 32-3/8 | 17 | ARMTO-304E2T3 | NS | 325198 | ARMTO-304E2T2 | NS | 325200 | ARMTO-304E2T1 | NS | 325219 |
| 5 | 240 | 3 | 15 | 3 | 39-7/8 | 18 | ARMTO-305E2T3 | NS | 325251 | ARMTO-305E2T2 | NS | 325260 | ARMTO-305E2T1 | NS | 325278 |
| 6 | 240 | 3 | 15 | 3 | 47-3/8 | 19 | ARMTO-306E2T3 | NS | 325315 | ARMTO-306E2T2 | NS | 325323 | ARMTO-306E2T1 | NS | 325331 |
| 6 | 480 | 3 | 15 | 3 | 47-3/8 | 19 | ARMTO-306E2T3 | NS | 325374 | ARMTO-306E2T2 | NS | 325382 | ARMTO-306E2T1 | NS | 325390 |
| 7.5 | 240 | 3 | 15 | 3 | 57 | 20 | ARMTO-307E2T3 | NS | 325438 | ARMTO-307E2T2 | NS | 325446 | ARMTO-307E2T1 | NS | 325454 |
| 9 | 240 | 3 | 15 | 3 | 67-3/8 | 21 | ARMTO-309E2T3 | NS | 325497 | ARMTO-309E2T2 | NS | 325500 | ARMTO-309E2T1 | NS | 325518 |

Stock Status: S = stock NS = non-stock
To Order—Specify model, volts, phase, kW, PCN and quantity.

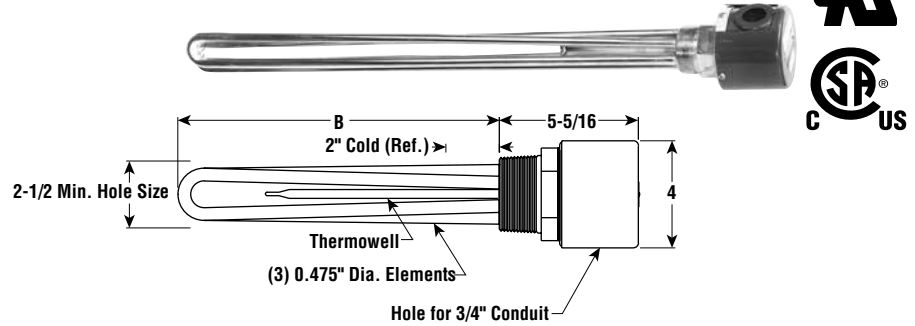
1. Heaters with General Purpose Enclosures are UL Listed with T1 or T2 Temperature and CSA Certified with T1, T2 or T3 Temperature.
 2. Heaters with Moisture Resistant/Explosion Resistant Enclosures are ^cCSA_{US}® Certified with T1, T2 or T3 Temperature.

Immersion

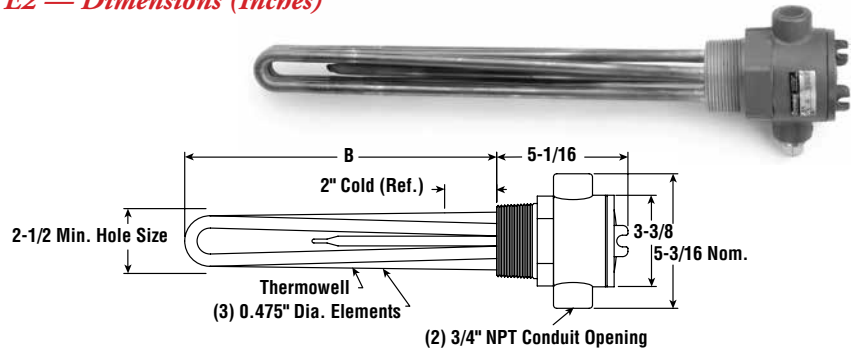
MTO-3 Medium Weight Oil Applications

- 2-1/2" NPT Steel Screw Plug
- Steel Sheath Elements
- 15 W/in²
- 3 - 9 kW
- Without Thermostat
- 240 and 480 Volt, Three Phase
- General Purpose, Moisture Resistant/Explosion Resistant Terminal Enclosure or Moisture Resistant

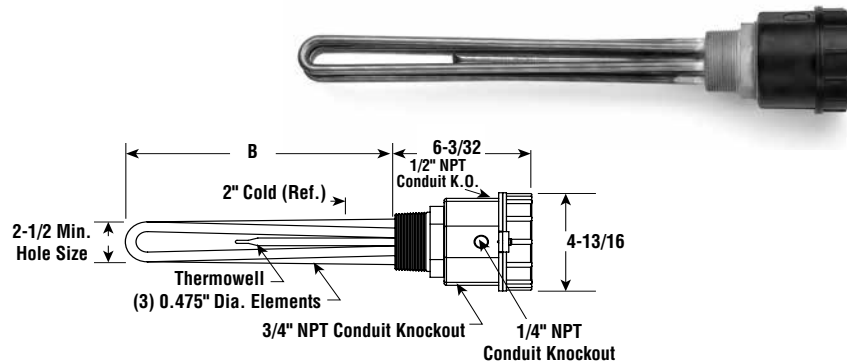
E1 — Dimensions (Inches)



E2 — Dimensions (Inches)



E4TP — Dimensions (Inches)



Specifications and Ordering Information

| | | | | | | E1 General Purpose ¹ | | | | E2 Moisture Resistant/ Explosion Resistant ² | | | | E4 Moisture Resistant | | | |
|-----|-------|-------|-------------------|-----------|-------------|---------------------------------|-------|--------|------------|--|-------|--------|------------|-----------------------|-------|--------|------------|
| kW | Volts | Phase | W/in ² | No. Elem. | DIM B (In.) | Model | Stock | PCN | Wt. (Lbs.) | Model | Stock | PCN | Wt. (Lbs.) | Model | Stock | PCN | Wt. (Lbs.) |
| 3 | 240 | 3 | 15 | 3 | 24-3/8 | MTO-303 | NS | 324021 | 6 | MTO-303E2 | NS | 324030 | 9 | MTO-303E4TP | NS | 064426 | 12 |
| 3 | 480 | 3 | 15 | 3 | 24-3/8 | MTO-303 | NS | 324048 | 6 | MTO-303E2 | NS | 324056 | 9 | MTO-303E4TP | NS | 064434 | 12 |
| 4 | 240 | 3 | 15 | 3 | 32-1/4 | MTO-304 | NS | 324064 | 9 | MTO-304E2 | NS | 324072 | 12 | MTO-304E4TP | NS | 064442 | 15 |
| 4 | 480 | 3 | 15 | 3 | 32-1/4 | MTO-304 | NS | 324080 | 9 | MTO-304E2 | NS | 324099 | 12 | MTO-304E4TP | NS | 064450 | 15 |
| 5 | 240 | 3 | 15 | 3 | 39-3/4 | MTO-305 | NS | 324101 | 10 | MTO-305E2 | NS | 324110 | 13 | MTO-305E4TP | NS | 064469 | 16 |
| 6 | 240 | 3 | 15 | 3 | 47-1/4 | MTO-306 | NS | 324128 | 11 | MTO-306E2 | NS | 324136 | 14 | MTO-306E4TP | NS | 064477 | 17 |
| 6 | 480 | 3 | 15 | 3 | 47-1/4 | MTO-306 | NS | 324144 | 11 | MTO-306E2 | NS | 324152 | 14 | MTO-306E4TP | NS | 064485 | 17 |
| 7.5 | 240 | 3 | 15 | 3 | 57 | MTO-307 | NS | 324160 | 14 | MTO-307E2 | NS | 324179 | 17 | MTO-307E4TP | NS | 064493 | 20 |
| 9 | 240 | 3 | 15 | 3 | 67-1/4 | MTO-309 | NS | 324187 | 15 | MTO-309E2 | NS | 324195 | 18 | MTO-309E4TP | NS | 064506 | 21 |

Stock Status: S = stock NS = non-stock
To Order—Specify model, volts, phase, kW, PCN and quantity.

FASTShip

1. Heaters with General Purpose Enclosures are UL Recognized and CSA Certified.
2. Heaters with Moisture Resistant/Explosion Resistant Enclosures are ^CCSA_{US} Certified.

Same-day shipping on stock item orders received before 4 pm CST.
3-day shipping on assembly-stock items.

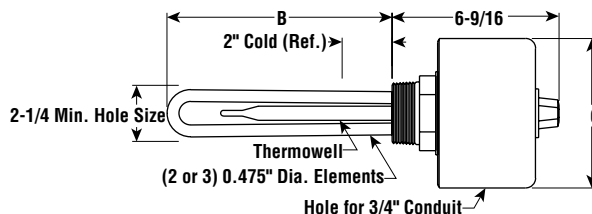


ARMTO-2 & AREMTO-3

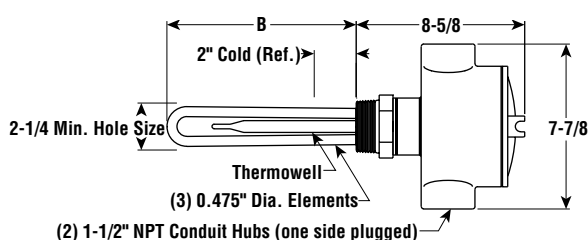
Heavy Weight Oil Applications

- 2" NPT Steel Screw Plug
- Steel Sheath Elements
- 6 - 8 W/In²
- 0.5 - 3 kW
- Integral Thermostat (DPST)
- 120, 208, 240 and 480 Volt, 1 & 3 Phase
- General Purpose or Moisture Resistant/Explosion Resistant Terminal Enclosure

E1 — Dimensions (Inches)



E2 — Dimensions (Inches)



Specifications and Ordering Information

| | | | | | | | T2 — Temperature (60 - 250°F) | | | T1 — Temperature (0 - 100°F) | | |
|---|-------|-------|-------------------|-----------|-------------|------------|-------------------------------|-------|--------|------------------------------|-------|--------|
| kW | Volts | Phase | W/In ² | No. Elem. | DIM B (In.) | Wt. (Lbs.) | Model | Stock | PCN | Model | Stock | PCN |
| AREMTO-3 — E1 General Purpose¹ | | | | | | | | | | | | |
| 1 | 240 | 3 | 8 | 3 | 17-3/4 | 8 | AREMTO-3015T2 | NS | 099768 | AREMTO-3015T1 | NS | 035254 |
| 1 | 480 | 3 | 8 | 3 | 17-3/4 | 8 | AREMTO-3015T2 | NS | 099776 | AREMTO-3015T1 | NS | 035262 |
| 1.5 | 240 | 3 | 8 | 3 | 24-7/8 | 9 | AREMTO-30155T2 | NS | 099784 | AREMTO-30155T1 | NS | 035270 |
| 1.5 | 480 | 3 | 8 | 3 | 24-7/8 | 9 | AREMTO-30155T2 | NS | 099792 | AREMTO-30155T1 | NS | 035289 |
| 2 | 240 | 3 | 8 | 3 | 32-7/16 | 10 | AREMTO-3025T2 | NS | 099805 | AREMTO-3025T1 | NS | 035297 |
| 2 | 480 | 3 | 8 | 3 | 32-7/16 | 10 | AREMTO-3025T2 | NS | 099813 | AREMTO-3025T1 | NS | 035300 |
| 2.5 | 240 | 3 | 8 | 3 | 40-3/8 | 11 | AREMTO-30255T2 | NS | 099821 | AREMTO-30255T1 | NS | 035318 |
| 2.5 | 480 | 3 | 8 | 3 | 40-3/8 | 11 | AREMTO-30255T2 | NS | 099830 | AREMTO-30255T1 | NS | 035326 |
| 3 | 240 | 3 | 8 | 3 | 47-7/8 | 12 | AREMTO-3035T2 | NS | 099848 | AREMTO-3035T1 | NS | 035334 |
| 3 | 480 | 3 | 8 | 3 | 47-7/8 | 12 | AREMTO-3035T2 | NS | 099856 | AREMTO-3035T1 | NS | 035342 |
| AREMTO-3 — E2 Moisture Resistant/Explosion Resistant² | | | | | | | | | | | | |
| 1 | 240 | 3 | 8 | 3 | 17-3/4 | 13 | AREMTO-3015E2T2 | NS | 035350 | AREMTO-3015E2T1 | NS | 035457 |
| 1 | 480 | 3 | 8 | 3 | 17-3/4 | 13 | AREMTO-3015E2T2 | NS | 035369 | AREMTO-3015E2T1 | NS | 035465 |
| 1.5 | 240 | 3 | 8 | 3 | 24-7/8 | 14 | AREMTO-30155E2T2 | NS | 035377 | AREMTO-30155E2T1 | NS | 035473 |
| 1.5 | 480 | 3 | 8 | 3 | 24-7/8 | 14 | AREMTO-30155E2T2 | NS | 035385 | AREMTO-30155E2T1 | NS | 035481 |
| 2 | 240 | 3 | 8 | 3 | 32-7/16 | 15 | AREMTO-3025E2T2 | NS | 035393 | AREMTO-3025E2T1 | NS | 035490 |
| 2 | 480 | 3 | 8 | 3 | 32-7/16 | 15 | AREMTO-3025E2T2 | NS | 035406 | AREMTO-3025E2T1 | NS | 035502 |
| 2.5 | 240 | 3 | 8 | 3 | 40-3/8 | 16 | AREMTO-30255E2T2 | NS | 035414 | AREMTO-30255E2T1 | NS | 035510 |
| 2.5 | 480 | 3 | 8 | 3 | 40-3/8 | 16 | AREMTO-30255E2T2 | NS | 035422 | AREMTO-30255E2T1 | NS | 035529 |
| 3 | 240 | 3 | 8 | 3 | 47-7/8 | 17 | AREMTO-3035E2T2 | NS | 035430 | AREMTO-3035E2T1 | NS | 035537 |
| 3 | 480 | 3 | 8 | 3 | 47-7/8 | 17 | AREMTO-3035E2T2 | NS | 035449 | AREMTO-3035E2T1 | NS | 035545 |
| ARMTO-2 — E1 General Purpose¹ | | | | | | | | | | | | |
| 0.5 | 120 | 1 | 6 | 2 | 17-3/4 | 7 | ARMTO-2005T2 | NS | 035650 | ARMTO-2005T1 | NS | 035748 |
| 0.5 | 208 | 1 | 6 | 2 | 17-3/4 | 7 | ARMTO-2005T2 | NS | 035668 | ARMTO-2005T1 | NS | 035756 |
| 0.5 | 240 | 1 | 6 | 2 | 17-3/4 | 7 | ARMTO-2005T2 | NS | 035676 | ARMTO-2005T1 | NS | 035764 |
| 1.1 | 120 | 1 | 6 | 2 | 32-3/4 | 9 | ARMTO-2011T2 | NS | 035684 | ARMTO-2011T1 | NS | 035772 |
| 1.1 | 208 | 1 | 6 | 2 | 32-3/4 | 9 | ARMTO-2011T2 | NS | 035692 | ARMTO-2011T1 | NS | 035780 |
| 1.1 | 240 | 1 | 6 | 2 | 32-3/4 | 9 | ARMTO-2011T2 | NS | 035705 | ARMTO-2011T1 | NS | 035799 |
| 1.4 | 120 | 1 | 6 | 2 | 40-1/4 | 10 | ARMTO-2014T2 | NS | 035713 | ARMTO-2014T1 | NS | 035801 |
| 1.4 | 208 | 1 | 6 | 2 | 40-1/4 | 10 | ARMTO-2014T2 | NS | 035721 | ARMTO-2014T1 | NS | 035810 |
| 1.4 | 240 | 1 | 6 | 2 | 40-1/4 | 10 | ARMTO-2014T2 | NS | 035730 | ARMTO-2014T1 | NS | 035828 |

Stock Status: S = stock NS = non-stock
To Order—Specify model, volts, phase, kW, PCN and quantity.

1. Heaters with General Purpose Enclosures are UL Listed and CSA Certified.
2. Heaters with Moisture Resistant/Explosion Resistant Enclosures are Certified.



Same-day shipping on stock item orders received before 4 pm CST.
 3-day shipping on assembly-stock items.

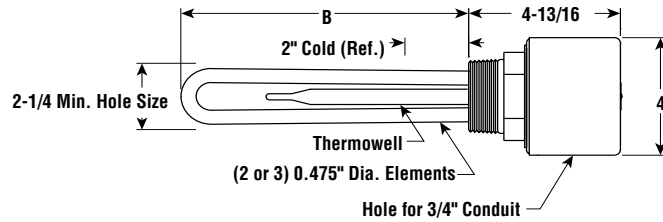
MTO-2 & EMTO-3

Heavy Weight Oil Applications

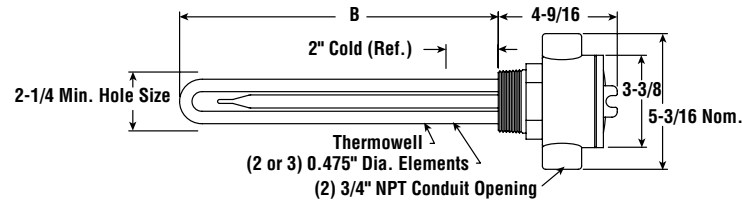


- 2" NPT Steel Screw Plug
- Steel Sheath Elements
- 6 - 8 W/In²
- 0.5 - 3 kW
- Without Thermostat
- 120, 208, 240 and 480 Volt, 1 & 3 Phase
- General Purpose, Moisture Resistant/Explosion Resistant Terminal Enclosure or Moisture Resistant

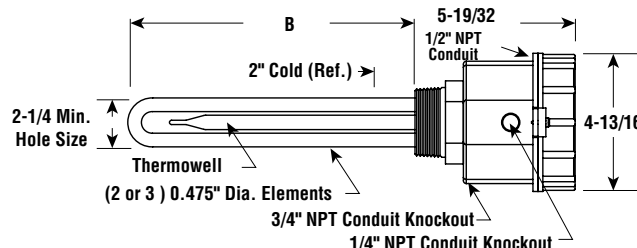
E1 — Dimensions (Inches)



E2 — Dimensions (Inches)



E4TP — Dimensions (Inches)



Note: Standard without thermostat

Specifications and Ordering Information

| | | | | | | E1 General Purpose ¹ | | | | E2 Moisture Resistant/Explosion Resistant ² | | | | E4 Moisture Resistant | | | |
|---------------|-------|-------|-------------------|-----------|-------------|---------------------------------|-------|--------|------------|--|-------|--------|------------|-----------------------|-------|--------|------------|
| kW | Volts | Phase | W/In ² | No. Elem. | DIM B (In.) | Model | Stock | PCN | Wt. (Lbs.) | Model | Stock | PCN | Wt. (Lbs.) | Model | Stock | PCN | Wt. (Lbs.) |
| MTO-2 | | | | | | | | | | | | | | | | | |
| 0.5 | 120 | 1 | 6 | 2 | 17-3/4 | MTO-2005 | NS | 178351 | 4 | MTO-2005E2 | NS | 035924 | 7 | MTO-2005E4TP | NS | 062800 | 10 |
| 0.5 | 208 | 1 | 6 | 2 | 17-3/4 | MTO-2005 | NS | 178360 | 4 | MTO-2005E2 | NS | 035932 | 7 | MTO-2005E4TP | NS | 062818 | 10 |
| 0.5 | 240 | 1 | 6 | 2 | 17-3/4 | MTO-2005 | NS | 178378 | 4 | MTO-2005E2 | NS | 035940 | 7 | MTO-2005E4TP | NS | 062826 | 10 |
| 1.1 | 120 | 1 | 6 | 2 | 32-3/4 | MTO-2011 | NS | 178440 | 6 | MTO-2011E2 | NS | 035959 | 9 | MTO-2011E4TP | NS | 062834 | 12 |
| 1.1 | 208 | 1 | 6 | 2 | 32-3/4 | MTO-2011 | NS | 178458 | 6 | MTO-2011E2 | NS | 035967 | 9 | MTO-2011E4TP | NS | 062842 | 12 |
| 1.1 | 240 | 1 | 6 | 2 | 32-3/4 | MTO-2011 | NS | 178466 | 6 | MTO-2011E2 | NS | 035975 | 9 | MTO-2011E4TP | NS | 062850 | 12 |
| 1.4 | 120 | 1 | 6 | 2 | 40-1/4 | MTO-2014 | NS | 178474 | 7 | MTO-2014E2 | NS | 035983 | 10 | MTO-2014E4TP | NS | 062869 | 13 |
| 1.4 | 208 | 1 | 6 | 2 | 40-1/4 | MTO-2014 | NS | 178482 | 7 | MTO-2014E2 | NS | 035991 | 10 | MTO-2014E4TP | NS | 062877 | 13 |
| 1.4 | 240 | 1 | 6 | 2 | 40-1/4 | MTO-2014 | NS | 178490 | 7 | MTO-2014E2 | NS | 036003 | 10 | MTO-2014E4TP | NS | 062885 | 13 |
| EMTO-3 | | | | | | | | | | | | | | | | | |
| 1 | 240 | 3 | 8 | 3 | 17-3/4 | EMTO-301 | NS | 099661 | 7 | EMTO-301E2 | NS | 035553 | 10 | EMTO-301E4TP | NS | 061110 | 13 |
| 1 | 480 | 3 | 8 | 3 | 17-3/4 | EMTO-301 | NS | 099670 | 7 | EMTO-301E2 | NS | 035561 | 10 | EMTO-301E4TP | NS | 061129 | 13 |
| 1.5 | 240 | 3 | 8 | 3 | 24-7/8 | EMTO-3015 | NS | 099688 | 9 | EMTO-3015E2 | NS | 035570 | 12 | EMTO-3015E4TP | NS | 061090 | 15 |
| 1.5 | 480 | 3 | 8 | 3 | 24-7/8 | EMTO-3015 | NS | 099696 | 9 | EMTO-3015E2 | NS | 035588 | 12 | EMTO-3015E4TP | NS | 061102 | 15 |
| 2 | 240 | 3 | 8 | 3 | 32-7/16 | EMTO-302 | NS | 099709 | 10 | EMTO-302E2 | NS | 035596 | 13 | EMTO-302E4TP | NS | 061153 | 16 |
| 2 | 480 | 3 | 8 | 3 | 32-7/16 | EMTO-302 | NS | 099717 | 10 | EMTO-302E2 | NS | 035609 | 13 | EMTO-302E4TP | NS | 061161 | 16 |
| 2.5 | 240 | 3 | 8 | 3 | 40-3/8 | EMTO-3025 | NS | 099725 | 12 | EMTO-3025E2 | NS | 035617 | 15 | EMTO-3025E4TP | NS | 061137 | 18 |
| 2.5 | 480 | 3 | 8 | 3 | 40-3/8 | EMTO-3025 | NS | 099733 | 12 | EMTO-3025E2 | NS | 035625 | 15 | EMTO-3025E4TP | NS | 061145 | 18 |
| 3 | 240 | 3 | 8 | 3 | 47-7/8 | EMTO-303 | NS | 099741 | 14 | EMTO-303E2 | NS | 035633 | 17 | EMTO-303E4TP | NS | 061196 | 20 |
| 3 | 480 | 3 | 8 | 3 | 47-7/8 | EMTO-303 | NS | 099750 | 14 | EMTO-303E2 | NS | 035641 | 17 | EMTO-303E4TP | NS | 061209 | 20 |

Stock Status: S = stock NS = non-stock
To Order—Specify model, volts, phase, kW, PCN and quantity.



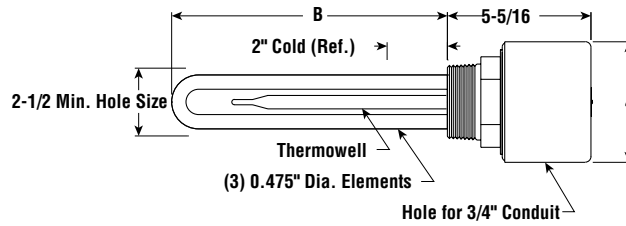
Same-day shipping on stock item orders received before 4 pm CST.
 3-day shipping on assembly-stock items.

1. Heaters with General Purpose Enclosures are UL Recognized and CSA Certified.
2. Heaters with Moisture Resistant/Explosion Resistant Enclosures are CSA_{US}® Certified.



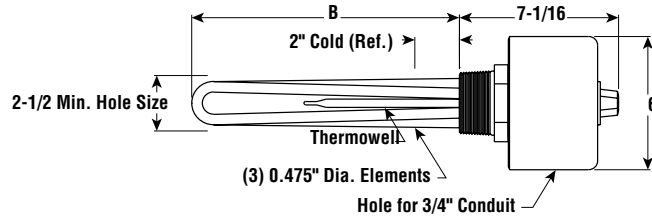
ARMTO-3 & MTO-3 *E1 — Dimensions (Inches)*

Heavy Weight Oil Applications

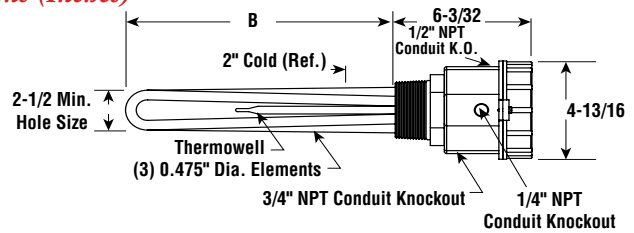


- 2.5" NPT Steel Screw Plug
- Steel Sheath Elements
- 6 - 8 W/In²
- 0.5 - 3 kW
- Without Thermostat
- 120, 208, 240 and 480 Volt, 1 & 3 Phase
- General Purpose, Moisture Resistant/Explosion Resistant Terminal Enclosure or Moisture Resistant

E1 w/Thermostat — Dimensions (Inches)



E4TP — Dimensions (Inches)



Note: Standard without thermostat

Specifications and Ordering Information

| kW | Volts | PhNSe | W/In ² | No. Elem. | DIM B (In.) | Wt. (Lbs.) | T2 — Temperature (60 - 250°F) | | | T1 — Temperature (0 - 100°F) | | |
|---|-------|-------|-------------------|-----------|-------------|------------|-------------------------------|-------|--------|------------------------------|-------|--------|
| | | | | | | | Model | Stock | PCN | Model | Stock | PCN |
| ARMTO-3 — E1 General Purpose with Thermostat¹ | | | | | | | | | | | | |
| 0.75 | 120 | 1 | 6 | 3 | 17-1/4 | 9 | ARMTO-3007T2 | NS | 036100 | ARMTO-3007T1 | NS | 036193 |
| 0.75 | 208 | 1 | 6 | 3 | 17-1/4 | 9 | ARMTO-3007T2 | NS | 036118 | ARMTO-3007T1 | NS | 036206 |
| 0.75 | 240 | 1 | 6 | 3 | 17-1/4 | 9 | ARMTO-3007T2 | NS | 036126 | ARMTO-3007T1 | NS | 036214 |
| 1.2 | 120 | 1 | 6 | 3 | 24-3/8 | 11 | ARMTO-3012T2 | NS | 036134 | ARMTO-3012T1 | NS | 036222 |
| 1.2 | 208 | 1 | 6 | 3 | 24-3/8 | 11 | ARMTO-3012T2 | NS | 036142 | ARMTO-3012T1 | NS | 036230 |
| 1.2 | 240 | 1 | 6 | 3 | 24-3/8 | 11 | ARMTO-3012T2 | NS | 036150 | ARMTO-3012T1 | NS | 036249 |
| 2.5 | 120 | 1 | 6 | 3 | 47-1/4 | 15 | ARMTO-3024T2 | NS | 036169 | ARMTO-3024T1 | NS | 036257 |
| 2.5 | 208 | 1 | 6 | 3 | 47-1/4 | 15 | ARMTO-3024T2 | NS | 036177 | ARMTO-3024T1 | NS | 036265 |
| 2.5 | 240 | 1 | 6 | 3 | 47-1/4 | 15 | ARMTO-3024T2 | NS | 036185 | ARMTO-3024T1 | NS | 036273 |

Stock Status: S = stock NS = NSassembly stock NS = non-stock

To Order—Specify model, volts, phNSe, kW, PCN and quantity.

1. Heaters with General Purpose Enclosures are UL Listed and CSA Certified.

Specifications and Ordering Information

| kW | Volts | Phase | W/In ² | No. Elem. | DIM B (In.) | E1 General Purpose ¹ | | | | E2 Moisture Resistant/Explosion Resistant ² | | | | E4 Moisture Resistant | | | |
|-----------------------------------|-------|-------|-------------------|-----------|-------------|---------------------------------|-------|--------|------------|--|-------|--------|------------|-----------------------|-------|--------|------------|
| | | | | | | Model | Stock | PCN | Wt. (Lbs.) | Model | Stock | PCN | Wt. (Lbs.) | Model | Stock | PCN | Wt. (Lbs.) |
| MTO-3 — Without Thermostat | | | | | | | | | | | | | | | | | |
| 0.75 | 120 | 1 | 6 | 3 | 17-1/4 | MTO-3007 | NS | 178511 | 7 | MTO-3007E2 | NS | 036011 | 10 | MTO-3007E4TP | NS | 065429 | 7 |
| 0.75 | 208 | 1 | 6 | 3 | 17-1/4 | MTO-3007 | NS | 178520 | 7 | MTO-3007E2 | NS | 036020 | 10 | MTO-3007E4TP | NS | 065437 | 7 |
| 0.75 | 240 | 1 | 6 | 3 | 17-1/4 | MTO-3007 | NS | 178538 | 7 | MTO-3007E2 | NS | 036038 | 10 | MTO-3007E4TP | NS | 065445 | 7 |
| 1.2 | 120 | 1 | 6 | 3 | 24-3/8 | MTO-3012 | NS | 178570 | 9 | MTO-3012E2 | NS | 036046 | 12 | MTO-3012E4TP | NS | 065453 | 9 |
| 1.2 | 208 | 1 | 6 | 3 | 24-3/8 | MTO-3012 | NS | 178589 | 9 | MTO-3012E2 | NS | 036054 | 12 | MTO-3012E4TP | NS | 065461 | 9 |
| 1.2 | 240 | 1 | 6 | 3 | 24-3/8 | MTO-3012 | NS | 178597 | 9 | MTO-3012E2 | NS | 036062 | 12 | MTO-3012E4TP | NS | 065470 | 9 |
| 2.5 | 208 | 1 | 6 | 3 | 47-1/4 | MTO-3024 | NS | 178685 | 13 | MTO-3024E2 | NS | 036070 | 16 | MTO-3024E4TP | NS | 065488 | 13 |
| 2.5 | 240 | 1 | 6 | 3 | 47-1/4 | MTO-3024 | NS | 178693 | 13 | MTO-3024E2 | NS | 036089 | 16 | MTO-3024E4TP | NS | 065499 | 13 |
| 2.5 | 480 | 1 | 6 | 3 | 47-1/4 | MTO-3024 | NS | 178706 | 13 | MTO-3024E2 | NS | 036097 | 16 | MTO-3024E4TP | NS | 065509 | 13 |

Stock Status: S = stock NS = non-stock

To Order—Specify model, volts, phase, kW, PCN and quantity.

1. Heaters with General Purpose Enclosures are UL Recognized and CSA Certified.

2. Heaters with Moisture Resistant/Explosion Resistant Enclosures are cCSA_{us}® Certified (dimensions not shown).