

 [Click Here for Quote!](#)

**INDEECO** 



# Baseboard & Convactor Heaters

Commercial & Industrial  
Electric heating and controls

Our products do more in a wide  
range of applications. **Expect More.**

Toll free: ph 800-925-4328 Local: ph 262-253-4800 Email: [info@gordonhatch.com](mailto:info@gordonhatch.com)

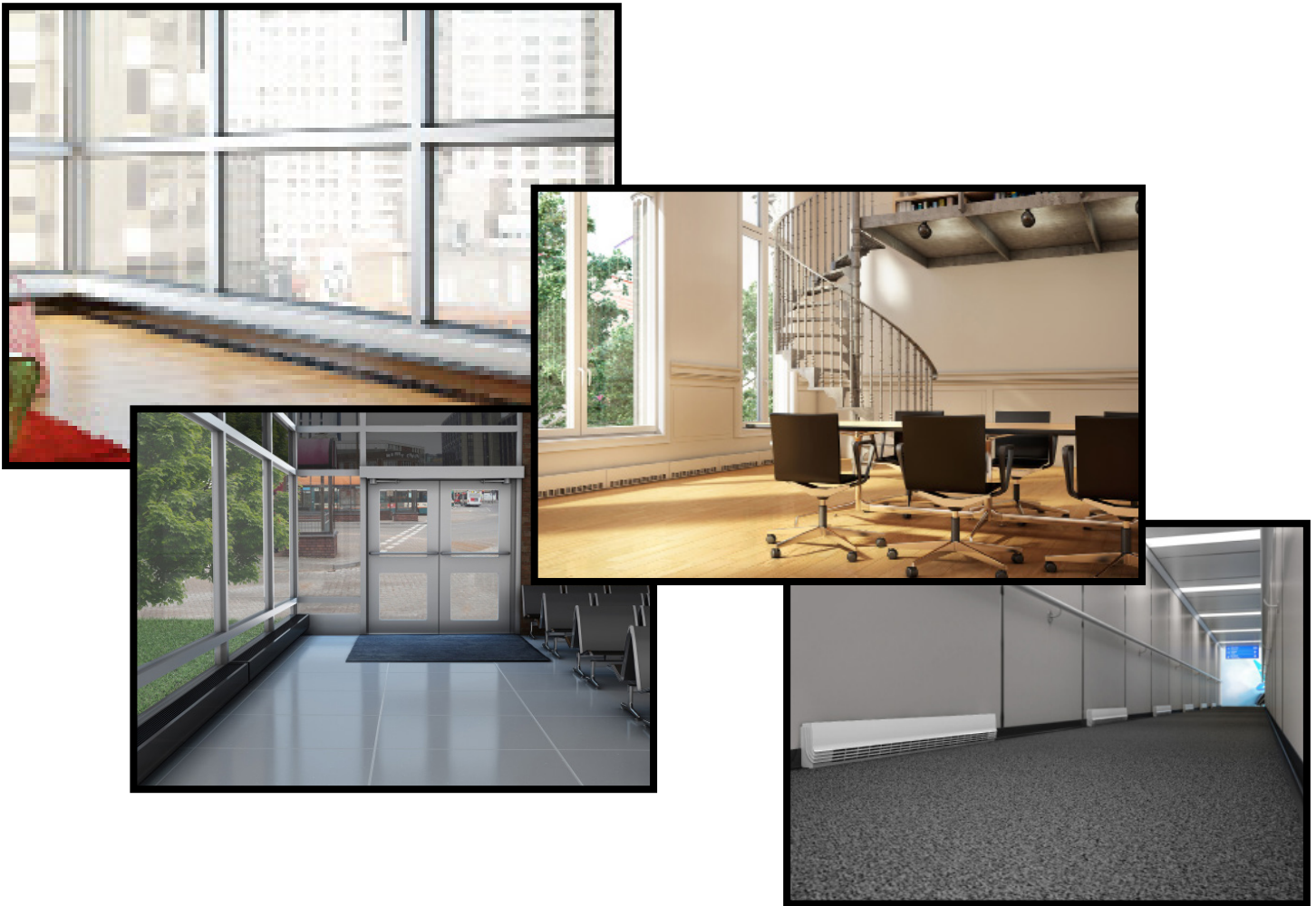
# INTRODUCTION

INDEECO offers commercial and industrial electric heating and control systems that set the industry standard for excellence. The company's heating solutions reflect more than 85 years of innovation, product quality and efficient service.

INDEECO's line of Comfort Heating Products cover a wide range of commercial and industrial applications.

Whether the requirement is for architectural wall heaters, cabinet unit heaters, convector heaters or ceiling heaters, INDEECO has a product to match the application.

INDEECO's quality is matched only by its customer service and support. With its quick-ship delivery program, INDEECO provides the products you need.



\*Optional factory installed disconnect switches have been sized in accordance to current UL2021 standards.

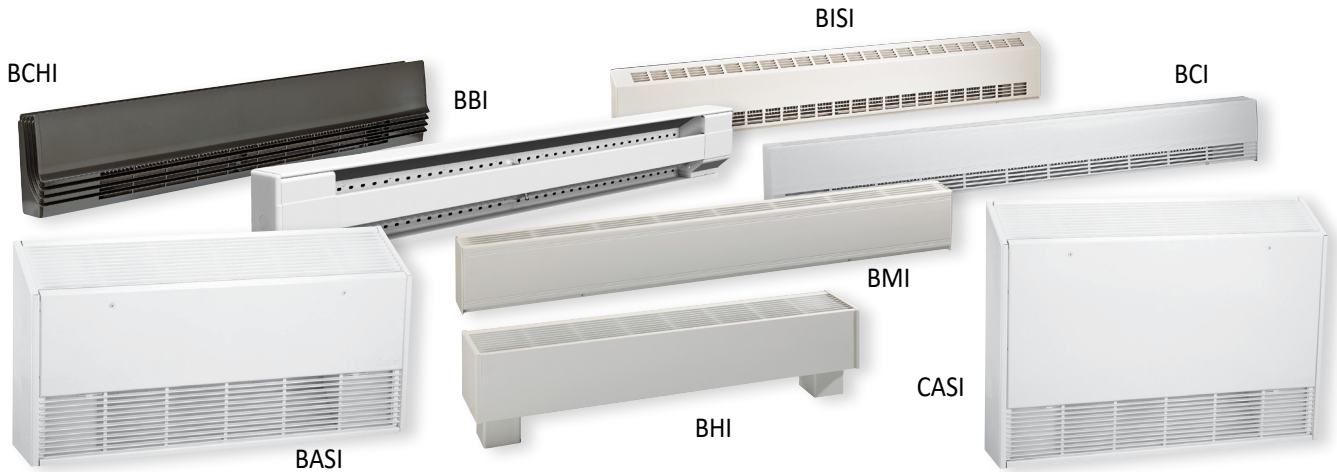
\*All field installed and factory installed electrical component options are listed with their maximum voltage and maximum amperage ratings. They can be used with heaters rated up to their maximum ratings.

# TABLE OF CONTENTS

	Comparison Chart	4
	Commercial Baseboard Heater BBI Series (903)	5-7
	Architectural Sill-Height Convactor BCI/BCSI Series (904/906)	8-10
	Industrial Sill-Height Convactor BII/BISI Series (905/907)	11-13
	High-End Baseboard Heater BCHI Series (910)	14-16
	Architectural Convactor BAI/BASI Series (908/909)	17-20
	Mini Draft Barrier Heater BMI Series (914)	21-23
	High Watt Density Draft Barrier Heater BHI Series (916)	24-26
	Architectural Cabinet Convactor CAI/CASI Series (911/912)	27-30
	TRH Series - Trench Insert Floor Convactor	31-32
	<b>Thermostats</b>	33
	<b>Controllers and Accessories</b>	34
	<b>Other Product Catalogs</b>	35
	<b>Limited Warranty</b>	36
	<b>Color Selection Chart</b>	<b>Inside Back Cover</b>

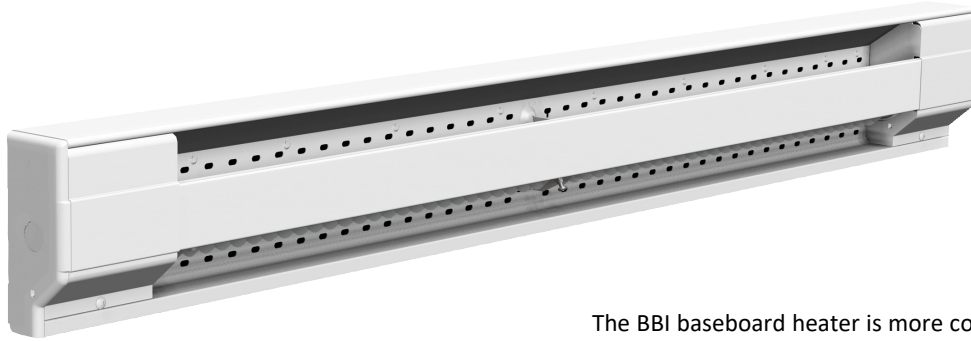
# COMPARISON CHART

## Baseboard and Convector Heaters



Features	Baseboard BBI	Architectural Sill-Height Convector BCI/BCSI	Industrial Sill-Height Convector BII/BISI	High-End Baseboard Heater BCHI	Architectural Convector BAI/BASI	Mini Draft Barrier BMI	High Watt Density Draft Barrier BHI	Architectural Cabinet Convector CAI/CASI
<b>Typical Applications</b>	Retail stores, Small offices	Commercial buildings, Public buildings	Industrial buildings, Institutions	Office building Commercial building	Banks, Offices Classrooms, Conference rooms	Entryways, Hallways, Schools	Entryways Hllways, Shopping centers	Classrooms, Conference rooms, Hallways
<b>Wattage Range</b>	300 to 2,500	200 to 2,500	200 to 2,500	100 to 200	800 to 4,000	300 to 1,400	375 to 4,000	1,000 to 6,000
<b>Watt Density W/ft (W/m)</b>	275 (900) 200 (650)	275 (900) 200 (650) 150 (490) 100 (330)	275 (900) 200 (650) 150 (490) 100 (330)	200 (650) 275 (900)	500 (1640) 375 (1250)	175 (574) 150 (490)	500 (1,640) 355 (1,165) 250 (820) 175 (575)	1,000 (3,280) 750 (2,450) 500 (1,640)
<b>Voltages</b>	120 - 277 (1 Ph)	120 - 277 (1 Ph)	120 - 277 (1 Ph)	120V - 480V (1 ph)	208 - 277 (1 Ph)	208 - 480 (1 Ph)	208 - 480 (1 Ph)	208 - 277 (1 Ph) 208 - 480 (3 Ph)
<b>Element Type</b>	Stainless steel with aluminum fins	Stainless steel with aluminum fins	Stainless steel with aluminum fins	Stainless steel with aluminum fins	Stainless steel with aluminum fins	Stainless steel with aluminum fins	Stainless steel with aluminum fins	Stainless steel with aluminum fins
<b>Standard Construction</b>	22-gauge steel body and front panel	18-gauge steel cabinetry with 14-gauge alu- minum front cover	18-gauge steel cabinetry with 16-gauge steel front cover	20-gauge steel cabinetry, with 14-gauge aluminum cover	20-gauge steel cabinetry, 16-gauge steel front cover and extruded aluminum grille	18-gauge steel cabinetry with 14-gauge aluminum front and top covers	18-gauge steel cabinetry with 14-gauge aluminum front and top covers	20-gauge steel cabinetry with 16-gauge steel front cover
<b>Finish</b>	Epoxy/Poly- ester powder paint	Epoxy/Poly- ester powder paint	Epoxy/Poly- ester powder paint	Epoxy/Poly- ester powder paint	Epoxy/Poly- ester powder paint	Epoxy/Poly- ester powder paint	Epoxy/Poly- ester powder paint	Epoxy/Poly- ester powder paint
<b>Sloped-Top Version</b>	No	BCSI	BISI	No	BASI	No	No	CASI
<b>Bottom Air Inlet Option</b>	No	Yes	Yes	No	No	Standard	Standard	No
<b>Pedestal Kit Option</b>	No	Yes	Yes	No	Yes	Yes	Yes	Yes
<b>Front Warm Air Outlet Option</b>	No	No	No	No	Yes (BAI only)	No	No	Yes (CAI Only)
<b>Custom Colors</b>	Yes	Yes	Yes	Yes	Yes	Yes	Yes	Yes
<b>Agency Approvals</b>	CSA <sub>US</sub>	CSA <sub>US</sub>	CSA <sub>US</sub>	CSA <sub>US</sub>	CSA <sub>US</sub>	CSA <sub>US</sub>	CSA <sub>US</sub>	CSA <sub>US</sub>

# BBI SERIES Baseboard Heater



## Applications

- Offices
- Retail Stores
- Restrooms
- Restaurants

The BBI baseboard heater is more compact than any other heater on the market, yet it provides a high level of performance and strength. The unit's trim design enhances its appearance and rounded corners eliminate the sharp edges found on square heaters.

- **Easy to Install:** Heaters may be mounted flush on any floor surface. Two rows of oblong mounting holes with center mark for ease of installation. No disassembly installation with single-screw built-in rear entry wire holder.
- **Electric Receptacles:** Units can be furnished with built-on 120 and 240-volt receptacles to provide access for other electrical appliances.
- **Control Options:** Heaters can be controlled by a building management system with the addition of a low voltage relay. Adding a proportional control device provides precise temperature control and increased energy savings.

Standard



Special Colors



## Standard Construction Features

**Heating Elements** – Stainless steel elements with aluminum fins float on high temperature nylon bushings for quiet operation.

**Housing** – Robust 22-gauge steel body with 20-gauge front panel and welded junction box, with 4H pencil hardness epoxy/polyester powder paint finish in white or almond.

**Built-in Controls** – Linear limit, automatic reset thermal cutout.

# BBI SERIES

## Baseboard Heater

### Factory Built-in Options

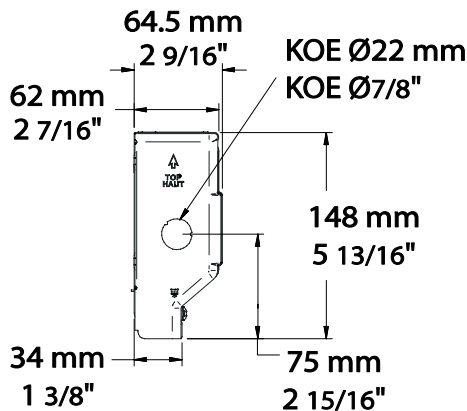
Code	Description
D3	Disconnect Switch, 277V, Double-pole, 16 Amp
D1	Disconnect Switch, 600V, Three-pole, 40 Amp
M1	High Altitude Automatic Cutout
R1	24V Relay, Single-pole, 240V, 22 Amp; 277V, 19 Amp
R2	24V Relay with Transformer, 240V, 22 Amp; 277V, 19 Amp
R7	Triac Proportional Relay, 277V Max, 2500 W Max.
T1	Tamperproof Thermostat, Single-pole, 277V, 25 Amp, 600V, 10 Amp
T2	Tamperproof Thermostat, Double-pole, 277V, 25 Amp, 600V, 10 Amp
T5	Adjustable Thermostat, Single-pole, 277V, 25 Amp, 600V, 10 Amp
T6	Adjustable Thermostat, Double-pole, 277V, 25 Amp, 600V, 10 Amp

### Field-Installed Options

(shipped loose for field installation into heater)

Catalog Number	Description
903-243496‡	Baseboard Section 6 in. (152 mm) - 240V Splitter Box to permanently connect an air conditioner (20A switch, double-pole, double-throw)
903-243497‡	Baseboard Section 6" (152mm) - 240V Splitter Box toward a surface mount, 6-20R Receptacle (20A switch, double-pole, double-throw)
903-243498‡	Baseboard Section 6" (152mm) - Surface mounted duplex 5-15R receptacle, 120V, 15A
903-243499‡	Baseboard Section 6" (152mm) - Surface mounted duplex 6-20R receptacle, 240V, 15A
903-243500‡	Baseboard Section 6" (152mm) - for the installation of a 24V relay (relay not included)
903-243501	Electronic Relay Kit, single-pole, coil 24V, with transformer, 15A 277 max
903-243502	Electronic Relay Kit, single-pole, coil 24V, without transformer, 15A 277 max
903-243503	Relay Kit 24V with transformer, 120V, 22 Amp
903-243504	Relay Kit 24V with Transformer, 208V, 22 Amp
903-243505	Relay Kit 24V with Transformer, 240V, 22 Amp
903-243506	Relay Kit 24V with Transformer, 277V, 18 Amp
903-243507	Relay Kit 24V without Transformer, 120V - 240V, 22 Amp, 277, 18 Amps
903-243509‡	Thermostat Kit, Adjustable, Double-pole, 277V, 25 Amp with off position
903-243510‡	Thermostat Kit, Adjustable, Single-pole, 277V, 25 Amp
903-243511‡	Thermostat Kit, Tamperproof, Double-pole, 277V, 25 Amp with off position
903-243512‡	Thermostat Kit, Tamperproof, Single-pole, 277V, 25 Amp
903-243513‡	Touch Up Brush Paint (1/2 oz)
903-243515‡	Universal Corners (inside and outside)

Remote Room Thermostat – See page 31.



**Side View**

Standard colors - Add W for white finish or A for almond finish to the end of part number.

Special or custom colors - See inside back cover for color codes to be added to end of part number.

# BBI SERIES

## Baseboard Heater

### Heater Listing

How to order: Heater Code with color code + Options (example 903U00750BW-T5)

Standard Watt Density Models 275 W/ft. (900 W/m)

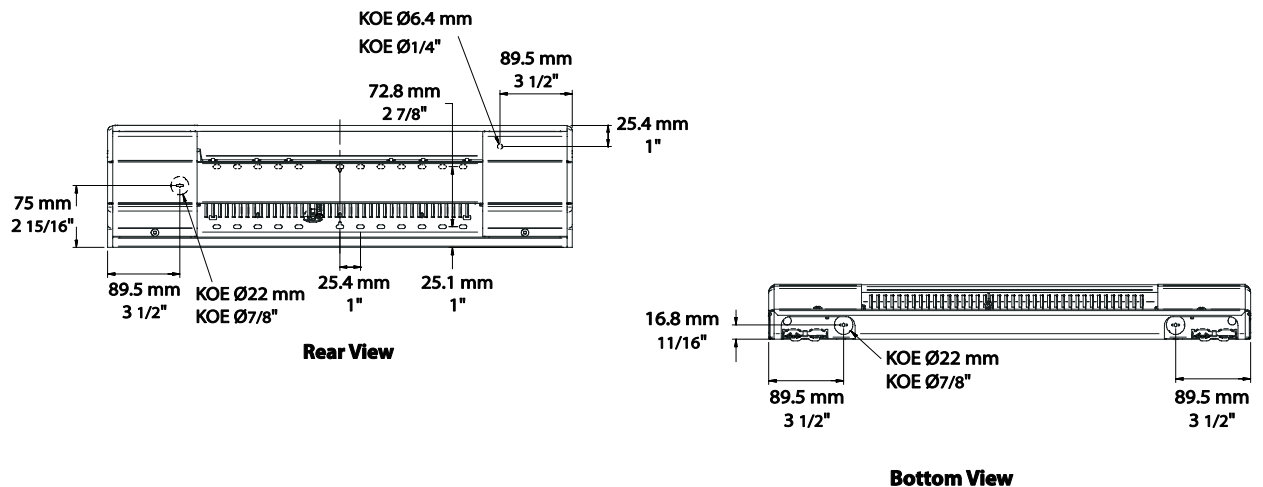
Length In. (mm)	Watts	Heater Code						Watts at 240/208V	Heater Code		Weight Lbs (kg)
		120V (1 Ph)	Amps	208V (1 Ph)	Amps	277V (1 Ph)	Amps		240/208V (1 Ph)	Amps	
22.75 (577)	300	903U00300B‡	2.5	903U00300C‡	1.4	—	1.1	300/225	903U00300V‡	1.3/1.1	4.5 (2.0)
24 (610)	350	903U00350B	2.9	903U00350C	1.7	—	—	350/263	903U00350V	1.5/1.3	4.7 (2.2)
27.75 (702)	500	903U00500B‡	4.2	903U00500C‡	2.4	903U00500N‡	1.8	500/375	903U00500V‡	2.1/1.8	5.4 (2.4)
36 (915)	700	903U00700B	5.8	903U00700C	3.4	903U00700N	2.5	700/525	903U00700V	2.9/2.5	6.7 (3)
37.75 (956)	750	903U00750B‡	6.3	903U00750C‡	3.6	903U00750N‡	2.7	750/563	903U00750V‡	3.1/2.7	7.0 (3.2)
48 (1217)	1000	903U01000B‡	8.3	903U01000C‡	4.8	903U01000N‡	3.6	1000/750	903U01000V‡	4.2/3.6	8.7 (3.9)
60 (1524)	1250	903U01250B‡	10.4	903U01250C‡	6.0	903U01250N‡	4.5	1250/938	903U01250V‡	5.2/4.5	10.7 (4.9)
72 (1829)	1500	903U01500B‡	12.5	903U01500C‡	7.2	903U01500N‡	5.4	1500/1125	903U01500V‡	6.3/5.4	12.7 (5.7)
75.5 (1916)	1750	—	—	903U01750C‡	8.4	903U01750N‡	6.3	1750/1313	903U01750V‡	7.3/6.3	13.2 (6.0)
84 (2134)	1850	—	—	903U01850C	8.9	903U01850N	6.7	1850/1390	903U01850V	7.7/6.7	14.6 (6.6)
93 (2364)	*2250	—	—	903U02250C‡	10.8	903U02250N‡	8.1	*2250/1688	903U02250V‡	9.4/8.1	16.2 (7.3)
96 (2439)	*2000	—	—	903U02000C‡	9.6	903U02000N‡	7.2	2000/1500	903U02000V‡	8.3/7.2	16.6 (7.5)
102.25 (2596)	*2500	—	—	903U02500C‡	12.0	903U02500N‡	9.0	*2500/1875	903U02500V‡	10.4/9.0	17.8 (8.0)

Other single-phase voltages available, consult factory.

‡Standard colors - Add **W** for white finish or **A** for almond finish to the catalog number when ‡ is indicated.

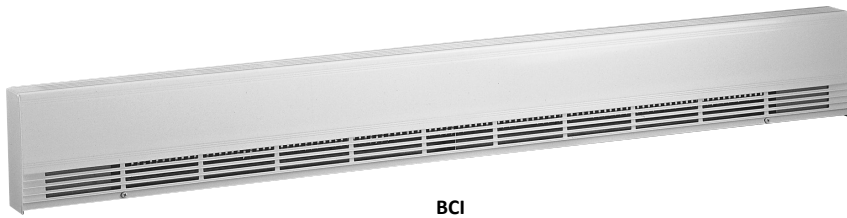
Special or custom colors - See inside back cover for color codes to be added to the catalog number where ‡ is indicated.

(\*) These items must be ordered in pairs to reduce shipping damage.



# BCI/BCSI SERIES

## Architectural Sill-Height Convactor Architectural Sloped Top Sill-Height Convactor



The BCI/BCSI architectural sill-height convactor (also known as draft barriers) are designed to fit under large windows to prevent cold down drafts. These heaters can provide total or supplemental heating for a variety of applications.

### Applications

- Air, Rail or Bus Terminals
- Auditoriums
- Corridors
- Entryways
- Foyers
- Hallways
- Lobbies
- Offices

- **Installation Options:** Units may be mounted to the wall flush on the floor or on pedestals. Custom lengths, blank sections and inside or outside corners are available for wall-to-wall installations. Units can be ordered with Option "S" for smooth painted finish when the back of the heater is visible.
- **Added Safety:** The sloped-top of the BCSI prevents objects from being set on top of the heater, which can restrict airflow and cause overheating.
- **Choice of Colors:** Heaters can be matched to any décor. White or almond is standard and a wide range of optional colors and custom finishes including anodized aluminum are available.

Standard



Special Colors



### Standard Construction Features

**Heating Elements** – Stainless steel elements with aluminum fins float on high temperature nylon bushings for quiet operation.

**Housing** – Cabinet is constructed of 18-gauge steel with a 14-gauge aluminum front cover. The unit has an epoxy/polyester powder paint finish in white or almond. End caps are provided on all units.

**Inlet/Outlet Grilles** – The fresh air inlet grille is located on the front of the unit. The outlet grille has openings less than 0.25 inches to discourage tampering with the heating element (pencil-proof).

**Built-in Controls** – Linear limit, automatic reset thermal cutout.

**Electrical Connection** – Each baseboard heater has a junction box located on both ends and a built-in full length wireway.

**Installation Requirements** – Field or factory-installed low voltage relay and thermostat kits fit into the right-hand junction box only. BCI heaters 200 watt/ft or greater are not designed for residential use in the United States. BCSI heaters are not approved for residential use in the United States.



# BCI/BCSI SERIES

## Architectural Sill-Height Convactor Architectural Sloped Top Sill-Height Convactor

### Factory Built-in Options

Code	Description
A	Bottom Air Inlet
D3	Disconnect Switch, 277V, Double-pole, 16 Amp
L	Custom Length
M1	High Altitude Automatic Cutout
R1	24V Relay, Single-pole, 240V, 22 Amp; 277V, 19 Amp
R2	24V Relay with Transformer, 240V, 22 Amp; 277V, 19 Amp
R6	Pneumatic Relay, 480V, 20 Amp
R7	Triac Proportional Relay, 277V Max., 2500W Max.
S	Smooth painted finish on heater back
T1	Tamperproof Thermostat, Single-pole, 277V, 25 Amp
T2	Tamperproof Thermostat, Double-pole, 277V, 25 Amp; with off position
T5	Adjustable Thermostat, Single-pole, 277V, 25 Amp
T6	Adjustable Thermostat, Double-pole, 277V, 25 Amp; with off position

### Field-Installed Options

(shipped loose for field installation into heater)

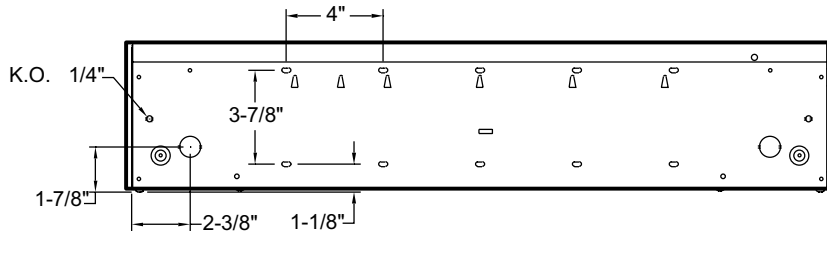
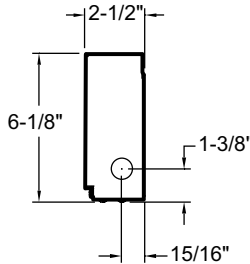
Catalog Number	Description
906-124585(1)	Inside Corner
906-124586(1)	Outside Corner
906-124587	Round Pedestal Kit, 3-5", Qty=2
906-169806	Square Pedestal Kit, 2", Qty=2
906-124588(1)	Splice Plate 2" Long
906-124589(1)	Contour Splice Plate for Code A (Bottom Air Inlet) and/or Heater with Pedestals
906-124590	24V Relay Kit, 240V, 22 Amp; 277V, 19 Amp
906-124591	24V Relay Kit with Transformer, 120V, 22 Amp
906-124592	24V Relay Kit with Transformer, 208V, 22 Amp
906-124593	24V Relay Kit with Transformer, 240V, 22 Amp
906-124594	24V Relay Kit with Transformer, 277V, 19 Amp
906B-XXX(1)	Blank Section (specify length in inches-XXX)
906-224751	Tamperproof, Single-pole Thermostat Kit, 277V, 25 Amp
906-224752	Tamperproof, Double-pole Thermostat Kit, 277V, 25 Amp; with off position
906-224753	Single-pole Thermostat Kit, 277V, 25 Amp
906-224754	Double-pole Thermostat Kit, 277V, 25 Amp; with off position

Remote Room Thermostat – See page 31.

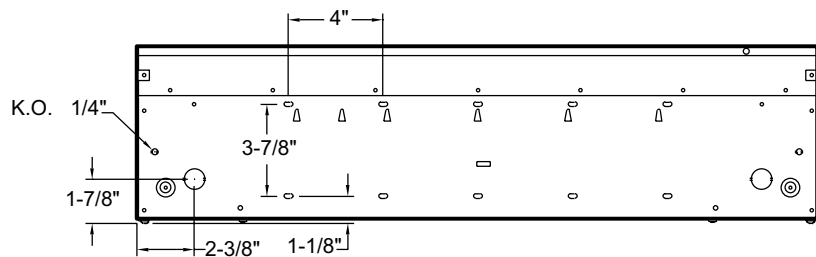
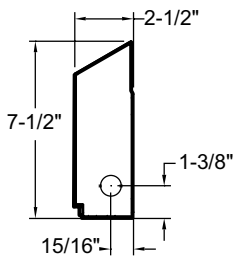
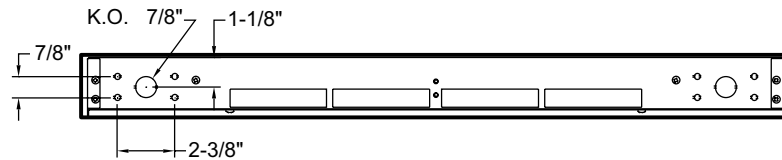
(1) Change 906 prefix to 904 for BCSI.

Standard colors - Add **W** for white finish or **A** for almond finish to the end of the part number.

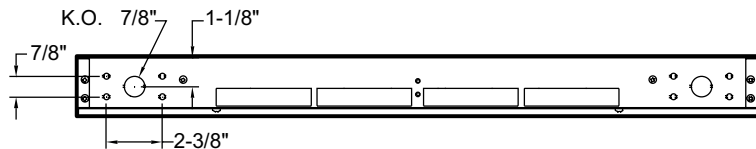
Special or custom colors - See inside back cover for color codes to be added to the end of part number.



### BCI Series



### BCSI Series



# BCI/BCSI SERIES

## Architectural Sill-Height Convactor Architectural Sloped Top Sill-Height Convactor

BCI Model: 906U (Flat Top)

BCSI Model: 904U (Sloped Top)

How to order: Model + Heater Code with color code + Options (example 906U01000BW-2632-T5)

Length In. (mm)	Density		Watts	Heater Code						Watts at 240/208V	Heater Code		Weight Lbs (kg)	
	W/Ft	W/m		120V (1 Ph)	Amps	208V (1 Ph)	Amps	277V (1 Ph)	Amps		240/208V (1 Ph)	Amps	BCI (Flat)	BCSI (Sloped)
29 (738)	100	330	200	00200B‡-738	1.7	00200C‡-738	1.0	—	—	200/150	00200V‡-738	0.8/0.7	8.0 (3.6)	9.1 (4.1)
	150	490	300	00300B‡-738	2.5	00300C‡-738	1.4	00300N‡-738	1.1	300/225	00300V‡-738	1.3/1.1		
	200	650	400	00400B‡-738	3.3	00400C‡-738	1.9	00400N‡-738	1.4	400/300	00400V‡-738	1.7/1.4		
	275	900	500	00500B‡	4.2	00500C‡	2.4	00500N‡	1.8	500/375	00500V‡	2.1/1.8		
39 (992)	100	330	300	00300B‡-992	2.5	00300C‡-992	1.4	00300N‡-992	1.1	300/225	00300V‡-992	1.3/1.1	10.4 (4.7)	11.9 (5.4)
	150	490	450	00450B‡-992	3.8	00450C‡-992	2.2	00450N‡-992	1.6	450/338	00450V‡-992	1.9/1.6		
	200	650	600	00600B‡-992	5.0	00600C‡-992	2.9	00600N‡-992	2.2	600/450	00600V‡-992	2.5/2.2		
	275	900	750	00750B‡	6.3	00750C‡	3.6	00750N‡	2.7	750/563	00750V‡	3.1/2.7		
49.3 (1253)	100	330	400	00400B‡-1253	3.3	00400C‡-1253	1.9	00400N‡-1253	1.4	400/300	00400V‡-1253	1.7/1.4	12.8 (5.8)	14.7 (6.6)
	150	490	600	00600B‡-1253	5.0	00600C‡-1253	2.9	00600N‡-1253	2.2	600/450	00600V‡-1253	2.5/2.2		
	200	650	800	00800B‡-1253	6.7	00800C‡-1253	3.8	00800N‡-1253	2.9	800/600	00800V‡-1253	3.3/2.9		
	275	900	1000	01000B‡	8.3	01000C‡	4.8	01000N‡	3.6	1000/750	01000V‡	4.2/3.6		
58.8 (1494)	100	330	500	00500B‡-1494	4.2	00500C‡-1494	2.4	00500N‡-1494	1.8	500/375	00500V‡-1494	2.1/1.8	15.1 (6.8)	17.3 (7.9)
	150	490	750	00750B‡-1494	6.3	00750C‡-1494	3.6	00750N‡-1494	2.7	750/563	00750V‡-1494	3.1/2.7		
	200	650	1000	01000B‡-1494	8.3	01000C‡-1494	4.8	01000N‡-1494	3.6	1000/750	01000V‡-1494	4.2/3.6		
	275	900	1250	01250B‡	10.4	01250C‡	6.0	01250N‡	4.5	1250/938	01250V‡	5.2/4.5		
67.5 (1715)	100	330	600	00600B‡-1715	5.0	00600C‡-1715	2.9	00600N‡-1715	2.2	600/450	00600V‡-1715	2.5/2.2	17.2 (7.8)	19.7 (9.0)
	150	490	900	00900B‡-1715	7.5	00900C‡-1715	4.3	00900N‡-1715	3.2	900/675	00900V‡-1715	3.8/3.2		
	200	650	1200	01200B‡-1715	10.0	01200C‡-1715	5.8	01200N‡-1715	4.3	1200/900	01200V‡-1715	5.0/4.3		
	275	900	1500	01500B‡	12.5	01500C‡	7.2	01500N‡	5.4	1500/1125	01500V‡	6.3/5.4		
76.9 (1952)	100	330	700	00700B‡-1952	5.8	00700C‡-1952	3.4	00700N‡-1952	2.5	700/525	00700V‡-1952	2.9/2.5	19.4 (8.8)	22.3 (10.1)
	150	490	1050	01050B‡-1952	8.8	01050C‡-1952	5.0	01050N‡-1952	3.8	1050/788	01050V‡-1952	4.3/3.8		
	200	650	1400	01400B‡-1952	11.7	01400C‡-1952	6.7	01400N‡-1952	5.1	1400/1050	01400V‡-1952	5.8/5.0		
	275	900	1750	—	—	01750C‡	8.4	01750N‡	6.3	1750/1313	01750V‡	7.3/6.3		
85.6 (2175)	100	330	800	00800B‡-2175	6.7	00800C‡-2175	3.8	00800N‡-2175	2.9	800/600	00800V‡-2175	3.3/2.9	21.5 (9.7)	24.7 (11.2)
	150	490	1200	01200B‡-2175	10.0	01200C‡-2175	5.8	01200N‡-2175	4.3	1200/900	01200V‡-2175	5.0/4.3		
	200	650	1600	—	—	01600C‡-2175	7.7	01600N‡-2175	5.8	1600/1200	01600V‡-2175	6.7/5.8		
	275	900	2000	—	—	02000C‡	9.6	02000N‡	7.2	2000/1500	02000V‡	8.3/7.2		
94.5 (2400)	100	330	900	00900B‡-2400	7.5	00900C‡-2400	4.3	00900N‡-2400	3.2	900/675	00900V‡-2400	3.8/3.2	23.6 (10.7)	27.2 (12.3)
	150	490	1350	—	—	01350C‡-2400	6.5	01350N‡-2400	4.9	1350/1013	01350V‡-2400	5.6/4.9		
	200	650	1800	—	—	01800C‡-2400	8.7	01800N‡-2400	6.5	1800/1350	01800V‡-2400	7.5/6.5		
	275	900	2250	—	—	02250C‡	10.8	02250N‡	8.1	2250/1688	02250V‡	9.4/8.1		
103.6 (2632)	100	330	1000	01000B‡-2632	8.3	01000C‡-2632	4.8	01000N‡-2632	3.6	1000/750	01000V‡-2632	4.2/3.6	25.8 (11.7)	29.7 (13.5)
	150	490	1500	—	—	01500C‡-2632	7.2	01500N‡-2632	5.4	1500/1125	01500V‡-2632	6.3/5.4		
	200	650	2000	—	—	02000C‡-2632	9.6	02000N‡-2632	7.2	2000/1500	02000V‡-2632	8.3/7.2		
	200	650	2250	—	—	02250C‡-2632	10.8	02250N‡-2632	8.1	2250/1688	02250V‡-2632	9.4/8.1		
	275	900	2500	—	—	02500C‡	12.0	02500N‡	9.0	2500/1875	02500V‡	10.4/9.0		

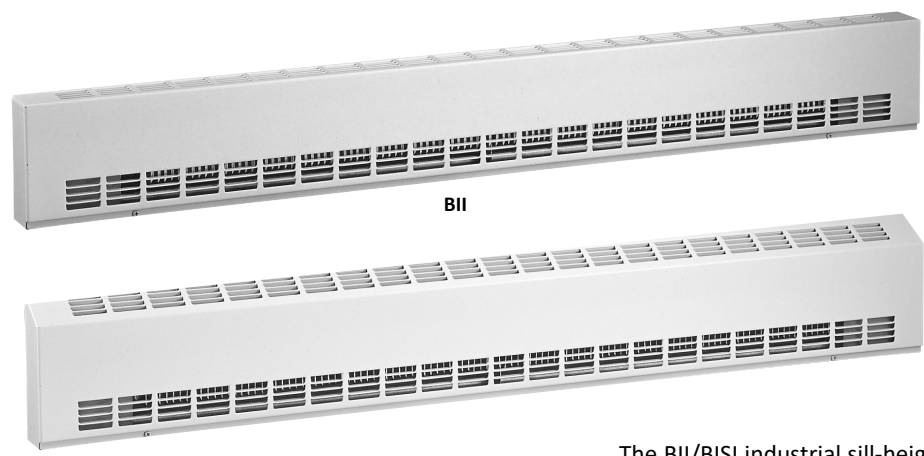
Other voltages available. Consult factory.

‡Standard colors - Add W for white finish or A for almond finish to the end of catalog number when ‡ is indicated.

Special or custom colors - See inside back cover for color codes to be added to end of catalog number.

# BII/BISI SERIES

## Industrial Sill-Height Convactor Industrial Sloped Top Sill-Height Convactor



BII

BISI

The BII/BISI industrial sill-height convactor (also known as draft barriers) are designed to fit under large windows to prevent cold down drafts. The heaters are ideal for heavy traffic areas with high heating requirements.

**Applications**

- Air, Rail or Bus Terminals
- Auditoriums
- Corridors
- Entryways
- Foyers
- Hallways
- Lobbies
- Offices

- **Installation Options:** Units may be mounted to the wall flush on the floor or on pedestals. Custom lengths and blank sections and inside or outside corners are available for wall-to-wall installations. Units can be ordered Option "S" with smooth painted finish when the back of the heater is visible.
- **Length Options:** Heaters can be installed singularly in lengths from 28.8 inches to 103.4 inches or joined end to end for complete perimeter heating.
- **Added Safety:** The sloped-top cabinet on the BISI prevents objects from being set on top of the heater, which can restrict air-flow and cause overheating.
- **Choice of Colors:** Heaters can be matched to any décor. White or almond is standard and a wide range of optional colors and custom finishes are also available.



### Standard Construction Features

**Heating Elements** – Stainless steel elements with aluminum fins float on high temperature nylon bushings for quiet operation.

**Housing** – Cabinet is constructed of 18-gauge steel with a 16-gauge steel front cover. The unit has an epoxy/polyester powder paint finish in white or almond. End caps are provided on all units.

**Inlet/Outlet Grilles** – The fresh air inlet grille is located on the front of the unit. The outlet grille has openings less than 0.25 inches to discourage tampering with the heating element (pencil-proof).

**Built-in Controls** – Linear limit, automatic reset thermal cutout.

**Electrical Connection** – Each baseboard heater has a junction box located on both ends and a built-in full length wireway.

**Installation Requirements** – Field or factory-installed low voltage relay and thermostat kits fit into the right-hand junction box only. Heaters 200 watt/ft or greater are not designed for residential use in the United States.

# BII/BISI SERIES

## Industrial Sill-Height Convactor Industrial Sloped Top Sill-Height Convactor

### Factory Built-in Options

Code	Description
A	Bottom Air Inlet
D3	Disconnect Switch, 277V, Double-pole, 20 Amp
L	Custom Length
M1	High Altitude Automatic Cutout
R1	24V Relay, Single-pole, 240V, 22 Amp; 277V, 19 Amp
R2	24V Relay with Transformer, 240V, 22 Amp; 277V, 19 Amp
R6	Pneumatic Relay, 480V, 20 Amp
R7	Triac Proportional Relay, 277V Max., 2500W Max.
S	Smooth painted finish on heater back
T1	Tamperproof Thermostat, Single-pole, 277V, 25 Amp
T2	Tamperproof Thermostat, Double-pole, 277V, 25 Amp with off position
T5	Adjustable Thermostat, Single-pole, 277V, 25 Amp
T6	Adjustable Thermostat, Double-pole, 277V, 25 Amp with off position

### Field-Installed Options

(shipped loose for field installation into heater)

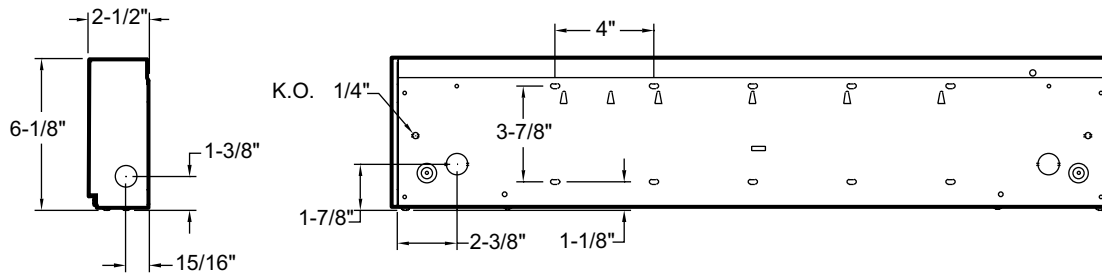
Catalog Number	Description
907-124597(1)	Inside Corner
907-124598(1)	Outside Corner
907-124599	Round Pedestal Kit, 3-5", Qty=2
907-169807	Square Pedestal Kit, 2", Qty=2
907-124600(1)	Splice Plate 2" Long
907-124601(1)	Contour Splice Plate for Code A (Bottom Air Inlet) and/or Heater with Pedestals
907-124602	24V Relay Kit, 240V, 22 Amp; 277V, 25 Amp
907-124603	24V Relay Kit with Transformer, 120V, 22 Amp
907-124604	24V Relay Kit with Transformer, 208V, 22 Amp
907-124605	24V Relay Kit with Transformer, 240V, 22 Amp
907-124606	24V Relay Kit with Transformer, 277V, 19 Amp
907B-XXX(1)	Blank Section (specify length in inches-XXX)
907-224755	Tamperproof Single-pole Thermostat Kit 277V, 25 Amp
907-224756	Tamperproof Double-pole Thermostat Kit 277V, 25 Amp with off position
907-224757	Single-pole Thermostat Kit 277V, 25 Amp
907-224758	Double-pole Thermostat Kit 277V, 25 Amp with off position

(1) Change 907 prefix to 905 for BISI.

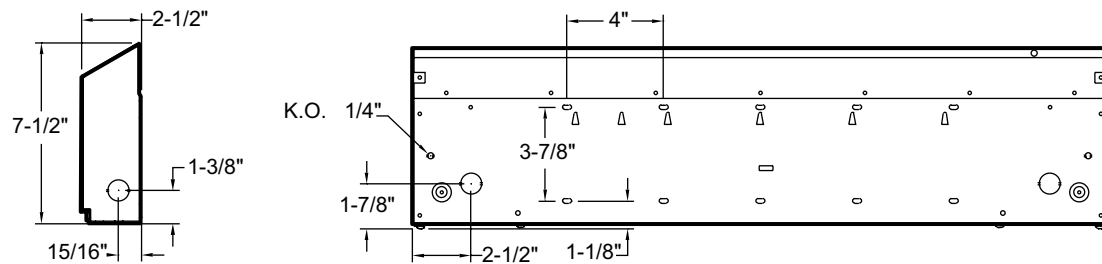
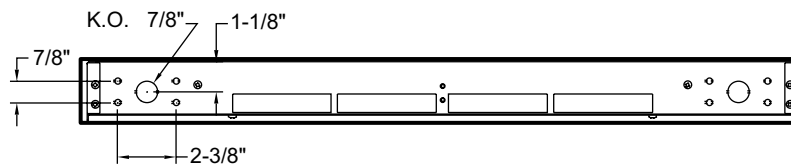
**Standard colors - Add W for white finish or A for almond finish to the end of part number.**

**Special or custom colors - See inside back cover for color codes to be added to end of part number.**

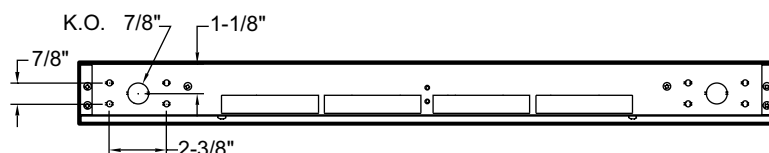
**Remote Room Thermostat – See page 31.**



### BII Series



### BISI Series



# BII/BISI SERIES

## Industrial Sill-Height Convactor Industrial Sloped Top Sill-Height Convactor

BII Model: 907U (Flat Top)

BISI Model: 905U (Sloped Top)

How to order: Model + Heater Code with color code + Options

(example 905U01200NW-1710-T5)

Length In. (mm)	Density		Watts	Heater Code						Watts at 240/208V	Heater Code		Weight Lbs (kg)	
	W/Ft	W/m		120V (1 Ph)	Amps	208V (1 Ph)	Amps	277V (1 Ph)	Amps		240/208V (1 Ph)	Amps	BII (Flat)	BISI (Sloped)
28.8 (733)	100	330	200	00200B‡-733	1.7	00200C‡-733	1.0	—	—	200/150	00200V‡-733	0.8/0.7	10.4 (4.8)	11.6 (5.3)
	150	490	300	00300B‡-733	2.5	00300C‡-733	1.4	00300N‡-733	1.1	300/225	00300V‡-733	1.3/1.1		
	200	650	400	00400B‡-733	3.3	00400C‡-733	1.9	00400N‡-733	1.4	400/300	00400V‡-733	1.7/1.4		
	275	900	500	00500B‡	4.2	00500C‡	2.4	00500N‡	1.8	500/375	00500V‡	2.1/1.8		
38.8 (987)	100	330	300	00300B‡-987	2.5	00300C‡-987	1.4	00300N‡-987	1.1	300/225	00300V‡-987	1.3/1.1	12.7 (5.8)	15.1 (6.9)
	150	490	450	00450B‡-987	3.8	00450C‡-987	2.2	00450N‡-987	1.6	450/338	00450V‡-987	1.9/1.6		
	200	650	600	00600B‡-987	5.0	00600C‡-987	2.9	00600N‡-987	2.2	600/450	00600V‡-987	2.5/2.2		
	275	900	750	00750B‡	6.3	00750C‡	3.6	00750N‡	2.7	750/563	00750V‡	3.1/2.7		
49 (1248)	100	330	400	00400B‡-1248	3.3	00400C‡-1248	1.9	00400N‡-1248	1.4	400/300	00400V‡-1248	1.7/1.4	14.9 (6.8)	18.7 (8.5)
	150	490	600	00600B‡-1248	5.0	00600C‡-1248	2.9	00600N‡-1248	2.2	600/450	00600V‡-1248	2.5/2.2		
	200	650	800	00800B‡-1248	6.7	00800C‡-1248	3.8	00800N‡-1248	2.9	800/600	00800V‡-1248	3.3/2.9		
	275	900	1000	01000B‡	8.3	01000C‡	4.8	01000N‡	3.6	1000/750	01000V‡	4.2/3.6		
58.6 (1489)	100	330	500	00500B‡-1489	4.2	00500C‡-1489	2.4	00500N‡-1489	1.8	500/375	00500V‡-1489	2.1/1.8	17.0 (7.7)	22.0 (10.0)
	150	490	750	00750B‡-1489	6.3	00750C‡-1489	3.6	00750N‡-1489	2.7	750/563	00750V‡-1489	3.1/2.7		
	200	650	1000	01000B‡-1489	8.3	01000C‡-1489	4.8	01000N‡-1489	3.6	1000/750	01000V‡-1489	4.2/3.6		
	275	900	1250	01250B‡	10.4	01250C‡	6.0	01250N‡	4.5	1250/938	01250V‡	5.2/4.5		
67.3 (1710)	100	330	600	00600B‡-1710	5.0	00600C‡-1710	2.9	00600N‡-1710	2.2	600/450	00600V‡-1710	2.5/2.2	18.8 (8.5)	25.0 (11.4)
	150	490	900	00900B‡-1710	7.5	00900C‡-1710	4.3	00900N‡-1710	3.2	900/675	00900V‡-1710	3.8/3.2		
	200	650	1200	01200B‡-1710	10.0	01200C‡-1710	5.8	01200N‡-1710	4.3	1200/900	01200V‡-1710	5.0/4.3		
	275	900	1500	01500B‡	12.5	01500C‡	7.2	01500N‡	5.4	1500/1125	01500V‡	6.3/5.4		
76.6 (1947)	100	330	700	00700B‡-1947	5.8	00700C‡-1947	3.4	00700N‡-1947	2.5	700/525	00700V‡-1947	2.9/2.5	20.8 (9.4)	28.3 (12.8)
	150	490	1050	01050B‡-1947	8.8	01050C‡-1947	5.0	01050N‡-1947	3.8	1050/788	01050V‡-1947	4.3/3.8		
	200	650	1400	01400B‡-1947	11.7	01400C‡-1947	6.7	01400N‡-1947	5.1	1400/1050	01400V‡-1947	5.8/5.0		
	275	900	1750	—	—	01750C‡	8.4	01750N‡	6.3	1750/1313	01750V‡	7.3/6.3		
85.4 (2170)	100	330	800	00800B‡-2170	6.7	00800C‡-2170	3.8	00800N‡-2170	2.9	800/600	00800V‡-2170	3.3/2.9	22.7 (10.3)	31.3 (14.2)
	150	490	1200	01200B‡-2170	10.0	01200C‡-2170	5.8	01200N‡-2170	4.3	1200/900	01200V‡-2170	5.0/4.3		
	200	650	1600	—	—	01600C‡-2170	7.7	01600N‡-2170	5.8	1600/1200	01600V‡-2170	6.7/5.8		
	275	900	2000	—	—	02000C‡	9.6	02000N‡	7.2	2000/1500	02000V‡	8.3/7.2		
94.2 (2395)	100	330	900	00900B‡-2395	7.5	00900C‡-2395	4.3	00900N‡-2395	3.2	900/675	00900V‡-2395	3.8/3.2	24.6 (11.2)	34.4 (15.6)
	150	490	1350	—	—	01350C‡-2395	6.5	01350N‡-2395	4.9	1350/1013	01350V‡-2395	5.6/4.9		
	200	650	1800	—	—	01800C‡-2395	8.7	01800N‡-2395	6.5	1800/1350	01800V‡-2395	7.5/6.5		
	275	900	2250	—	—	02250C‡	10.8	02250N‡	8.1	2250/1688	02250V‡	9.4/8.1		
103.4 (2627)	100	330	1000	01000B‡-2627	8.3	01000C‡-2627	4.8	01000N‡-2627	3.6	1000/750	01000V‡-2627	4.2/3.6	26.6 (12.1)	37.6 (17.1)
	150	490	1500	—	—	01500C‡-2627	7.2	01500N‡-2627	5.4	1500/1125	01500V‡-2627	6.3/5.4		
	200	650	2000	—	—	02000C‡-2627	9.6	02000N‡-2627	7.2	2000/1500	02000V‡-2627	8.3/7.2		
	200	650	2250	—	—	02250C‡-2627	10.8	02250N‡-2627	8.1	2250/1688	02250V‡-2627	9.4/8.1		
	275	900	2500	—	—	02500C‡	12.0	02500N‡	9.0	2500/1875	02500V‡	10.4/9.0		

Other single-phase voltages available, consult factory.

‡Standard colors - Add W for white finish or A for almond finish to the end of catalog number when ‡ is indicated.

Special or custom colors - See inside back cover for color codes to be added to end of catalog number where ‡ is indicated.

# BCHI SERIES

## Aluminum Sill-Height Convection Heater



### Applications

- Air, Rail or Bus Terminals
- Auditoriums
- Corridors
- Entryways
- Foyers
- Hallways
- Lobbies
- Offices
- Commercial Buildings

### Standard



### Special Colors



The sleek, flowing curved aluminum front cover and end caps of the BCHI offer a unique design for architectural applications. They are designed to fit under large windows to prevent cold down drafts. These heaters can provide total or supplemental heating for a variety of applications. The rugged design is built to withstand years of hard usage for your commercial application.

- **Easy to Install:** Units may be mounted flush to the wall or directly to any floor surface. There are no screws on the front cover. Two rows of mounting holes on the back of the heater are spaced at 2 inch (51 mm) intervals for easy mounting. An electrical junction box is provided at each end of the unit for easy connection to the power wiring. To remove the cover, locate the locking tab at the bottom center of the heater. Rotate the tab counterclockwise with a tool through the air inlet and the cover can be withdrawn.

- **Choice of colors:** Heaters can be matched to any decor. White or metallic charcoal are standard and a wide range of optional colors and custom finishes are available (see optional color selections on inside back cover).

## Standard Construction Features

**Heating elements** – Stainless steel elements with tight fitting aluminum fins float on high temperature nylon bushings for quiet and efficient operation.

**Housing** – Cabinet is constructed of 20-gauge galvanized steel with a robust aluminum front cover. The unit has an epoxy/polyester powder paint with a satin finish in white or metallic charcoal.

**Inlet/Outlet Grilles** – The fresh air inlet grille is located at the bottom of the front of the unit. The outlet is located at the top with openings less than 0.25" to discourage tampering with the heating element (pencil-proof).

**Built-in Controls** – Linear limit, automatic reset thermal cutout.

**Electrical Connection** – Each baseboard heater has a junction box located on both ends and a built-in full length wire way.

**Installation Requirements** – Field or factory-installed low voltage relay and thermostat kits fit into the right-hand junction box only.

These units are not for residential use in the United States.

# BCHI SERIES

## Aluminum Sill-Height Convection Heater

### Factory Built-in Options

Code	Description
D3	Disconnect Switch, 277V Max, Double-pole, 16 Amp
M1	High Altitude Automatic Cutout
R1	24V Relay, 240V, 22 Amp; 277V, 19 Amp
R2	24V Relay with Transformer, 240V, 22 Amp; 277V, 19 Amp
R7	24V TRIAC Proportional Relay
R8	24V TRIAC Proportional Relay with transformer
T1	Tamperproof Thermostat, Single-pole, 277V, 25 Amp
T2	Tamperproof Thermostat, Double-pole, 277V, 25 Amp with off position
T5	Adjustable Thermostat, Single-pole, 277V, 25 Amp
T6	Adjustable Thermostat, Double-pole, 277V, 25 Amp with off position

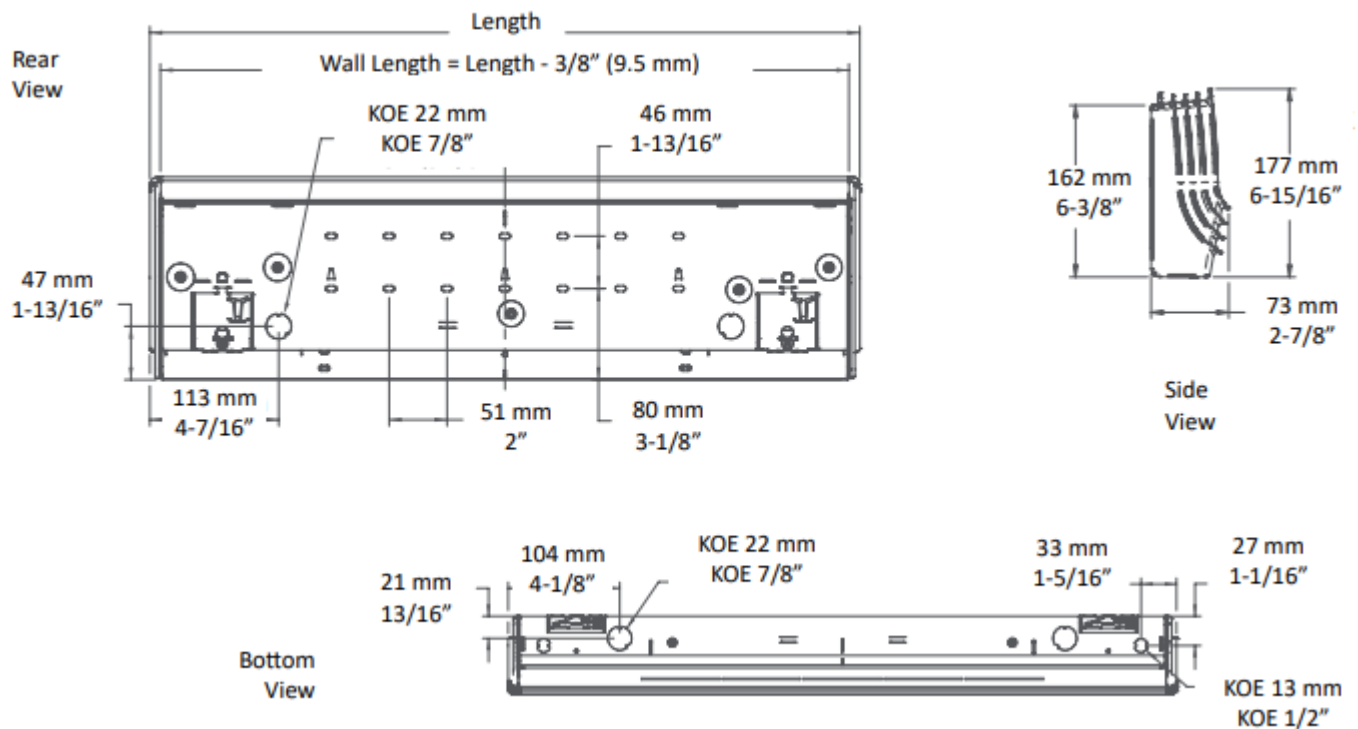
### Field-Installed Options

(shipped loose for field installation into heater)

Catalog Number	Description
910-277363	Disconnect Switch, 277V, Double-pole, 16 Amp
910-277364	24V Relay Kit, 240V, 22 Amp; 277V, 19 Amp
910-277365	24V Relay Kit with transformer, 120V, 22 Amp
910-277366	24V Relay Kit with transformer, 208V, 22 Amp
910-277367	24V Relay Kit with transformer, 240V, 22 Amp
910-277368	24V Relay Kit with transformer, 277V, 19 Amp
910-277369	24V TRIAC Proportional Relay, 277V, 15 Amp
910-277370	24V TRIAC Proportional Relay with transformer, 277V, 15 Amp
910-277371	Tamperproof Single-pole Thermostat Kit 277V, 25 Amp with off position
910-277372	Tamperproof Double-pole Thermostat Kit 277V, 25 Amp with off position
910-277373	Thermostat Kit Single-pole 277V, 25 Amp with off position
910-277374	Thermostat Kit Double-pole 277V, 25 Amp with off position

Remote Room Thermostat – See page 31.

¶Standard colors - Add W for white finish or CM for metallic charcoal finish to the end of part number.  
Special or custom colors - see inside back cover for color codes to be added to end of part number.



# BCHI SERIES

## Aluminum Sill-Height Convection Heater

BCHI Model: 910U

How to order: Model + Heater Code with color code + Options (example 910U01000BW-T5)

Length	Density		Watts	Heater Code						Watts at 240/208V	Heater Code	
	In. (mm)	W/Ft.		W/m	120V	Amps	208V	Amps	277V		Amps	240/208V
24.6 (625)	150	475	300	910U00300B‡	2.5	910U00300C‡	1.4	—	—	300/225	910U00300V‡	1.3/1.1
29.5 (750)	125	400	300	910U00300B‡-750	2.5	910U00300C‡-750	1.4	910U00300N‡-750	1.1	300/225	910U00300V‡-750	1.3/1.1
	200	675	500	910U00500B‡	4.2	910U00500C‡	2.4	910U00500N‡	1.8	500/375	910U00500V‡	2.1/1.8
39.5 (1004)	150	500	500	910U00500B‡-1004	4.2	910U00500C‡-1004	2.4	910U00500N‡-1004	1.8	500/375	910U00500V‡-1004	2.1/1.8
	225	750	750	910U00750B‡	6.3	910U00750C‡	3.6	910U00750N‡	2.7	750/563	910U00750V‡	3.1/2.7
49.8 (1265)	175	600	750	910U00750B‡-1265	6.3	910U00750N‡-1265	3.6	910U00750N‡-1265	2.7	750/563	910U00750V‡-1265	3.1/2.7
	250	800	1000	910U01000B‡	8.3	910U01000C‡	4.8	910U01000N‡	3.6	1000/750	910U01000V‡	4.2/3.6
59.3 (1506)	200	650	1000	910U01000B‡-1506	8.3	910U01000C‡-1506	4.8	910U01000N‡-1506	3.6	1000/750	910U01000V‡-1506	4.2/3.6
	250	850	1250	910U01250B‡	10.4	910U01250C‡	6.0	910U01250N‡	4.5	1250/938	910U01250V‡	5.2/4.5
68 (1727)	225	725	1250	910U01250B‡-1727	10.4	910U01250C‡-1727	6.0	910U01250N‡-1727	4.5	1250/938	910U01250V‡-1727	5.2/4.5
	275	875	1500	910U01500B‡	12.5	910U01500C‡	7.2	910U01500N‡	5.4	1500/1125	910U01500V‡	6.3/5.4
77.3 (1964)	275	900	1750	—	—	910U01750C‡	8.4	910U01750N‡	6.3	1750/1313	910U01750V‡	7.3/6.3
86.1 (2187)	200	700	1500	910U01500B‡-2187	12.5	910U01500C‡-2187	7.2	910U01500N‡-2187	5.4	1500/1125	910U01500V‡-2187	6.3/5.4
	275	925	2000	—	—	910U02000C‡	9.6	910U02000N‡	7.2	2000/1500	910U02000V‡	8.3/7.2
94.9 (2412)	225	725	1750	—	—	910U01750C‡-2412	8.4	910U01750N‡-2412	6.3	1750/1313	910U01750V‡-2412	7.3/6.3
	300	925	2250	—	—	910U02250C‡	10.8	910U02250N‡	8.1	2250/1688	910U02250V‡	9.4/8.1
104.1 (2644)	225	750	2000	—	—	910U02000C‡-2644	9.6	910U02000N‡-2644	7.2	2000/1500	910U02000V‡-2644	8.36/7.2
	250	850	2250	—	—	910U02250C‡-2644	10.8	910U02250N‡-2644	8.1	2250/1688	910U02250V‡-2644	9.4/8.1
	300	950	2500	—	—	910U02500C‡	12.0	910U02500N‡-2632	9	2500/1875	910U02500V‡-2632	10.4/9.0

Other single-phase voltages available, consult factory. All models listed are single-phase.

Standard colors - Add W for white finish or CM for metallic charcoal finish to the catalog number when ‡ is indicated.

Special or custom colors - See inside back cover for color codes to be added to the catalog number where ‡ is indicated.



# BAI/BASI SERIES

## Architectural Convectors

### Architectural Sloped Top Convector



BAI



BASI

The BAI/BASI architectural convectors are designed to heat large commercial spaces without the fan noise associated with unit heaters.

- **Installation Options:** Units may be mounted to the wall, flush on the floor or on pedestals. Custom lengths, blank sections, sub-bases and inside or outside corners are available for wall-to-wall installations. Units and accessories can be ordered with smooth painted finish when the back of the heater is visible.
- **Added Safety:** The sloped-top cabinet on the BASI prevents objects from being set on top of the heater, which can restrict airflow and cause overheating.
- **Recessed Mounting:** The BAI heater can be fully recessed when the front warm air outlet option is used.
- **Choice of Colors:** Heaters can be matched to any décor. White or almond is standard and a wide range of optional colors and custom finishes are also available.

#### Applications

- Banks
- Classrooms
- Conference Rooms
- Halls
- Offices

Standard



Special Colors



## Standard Construction Features

**Heating Elements** – Stainless steel elements with aluminum fins float on high temperature nylon bushings for quiet operation.

**Housing** – Cabinet is constructed of 20-gauge steel with a 16-gauge steel front cover. The unit has an epoxy/polyester powder paint finish in white or almond.

**Inlet/Outlet Grilles** – The fresh air inlet grille is located on the front of the unit. An extruded aluminum outlet grille discourages tampering with the heating element.

**Built-in Controls** – Linear limit, automatic reset thermal cutout.

**Installation Requirements** – Field or factory-installed low voltage relay and thermostat kits. These units are not designed for residential use in the United States.

**Rough In Dimensions** – BAI only: Heater Length + 1" wide x 15" high x 6" deep.

# BAI/BASI SERIES

## Architectural Convactor Architectural Sloped Top Convactor

### Factory Built-in Options

Code	Description
D1	Disconnect Switch, Three-pole, 600V, 32 Amp
F	Front Air outlet (BAI Only)
R1	24V Relay, Single-pole, 240V, 22 Amp; 277V, 19 Amp
R2	24V Relay with Transformer, 240V, 22 Amp; 277V, 19 Amp
R3	24V Double-pole Relay, 240V, 25 Amp; 277V, 19 Amp
R4	240V Relay, Single-pole, 240V, 25 Amp
R5	240V Relay, Double-pole, 240V, 25 Amp
R6	Pneumatic Relay, 480V, 20 Amp
R7	Triac Proportional Relay, 277V Max., 2500W Max.
S	Smooth painted finish on heater back
T1	Tamperproof Thermostat, Single-pole, 240V, 30 Amp; 480V, 15 Amp
T2	Tamperproof Thermostat, Double-pole, 480V, 15 Amp
X1	240V Transformer - 50 VA
X2	24V Transformer - 50 VA

Remote Room Thermostat – See page 31.

### Field-Installed Options

(shipped loose for field installation into heater)

Catalog Number	Description	
909-124609	BAI Corner (interior and exterior)	
908-124609	BASI Inside Corner	
908-218356		
909-124610	Square Pedestal Kit	3 (76) High
909-124611	Sub Base Heater Length In. (mm)	27.2 (690)
909-124612		37.2 (944)
909-124613		47.2 (1198)
909-124614		57.2 (1452)
909-124615		65.2 (1655)
909-124616		75.2 (1909)
909-124617		83.2 (2112)
909-218276(1)	Empty Cabinet Length In. (mm)	27.2 (690)
909-218277(1)		37.2 (944)
909-218278(1)		47.2 (1198)
909-218279(1)		57.2 (1452)
909-218280(1)		65.2 (1655)
909-218281(1)		75.2 (1909)
909-218282(1)		83.2 (2112)
909-124618	Recessed Trim Kit Heater Length In. (mm) (Option F required)	27.2 (690)
909-124619		37.2 (944)
909-124620		47.2 (1198)
909-124621		57.2 (1452)
909-124622		65.2 (1655)
909-124623		75.2 (1909)
909-124624		83.2 (2112)
909-124628(1)	Control Box - 12"	12 (305)
909-124629	24V Relay Kit, Single-pole, 240V, 22 Amp; 277V, 19 Amp	
909-124630	24V Relay Kit, Double-pole, 240V, 25 Amp	
909-124633	24V Relay Kit with Transformer, 208V, 22 Amp	
909-124634	24V Relay Kit with Transformer, 240V, 22 Amp	
909-124635	24V Relay Kit with Transformer, 277V, 19 Amp	

(1) Change 909 prefix to 908 for BASI.

**Standard colors - Add W for white finish or A for almond finish to the end of part number.**

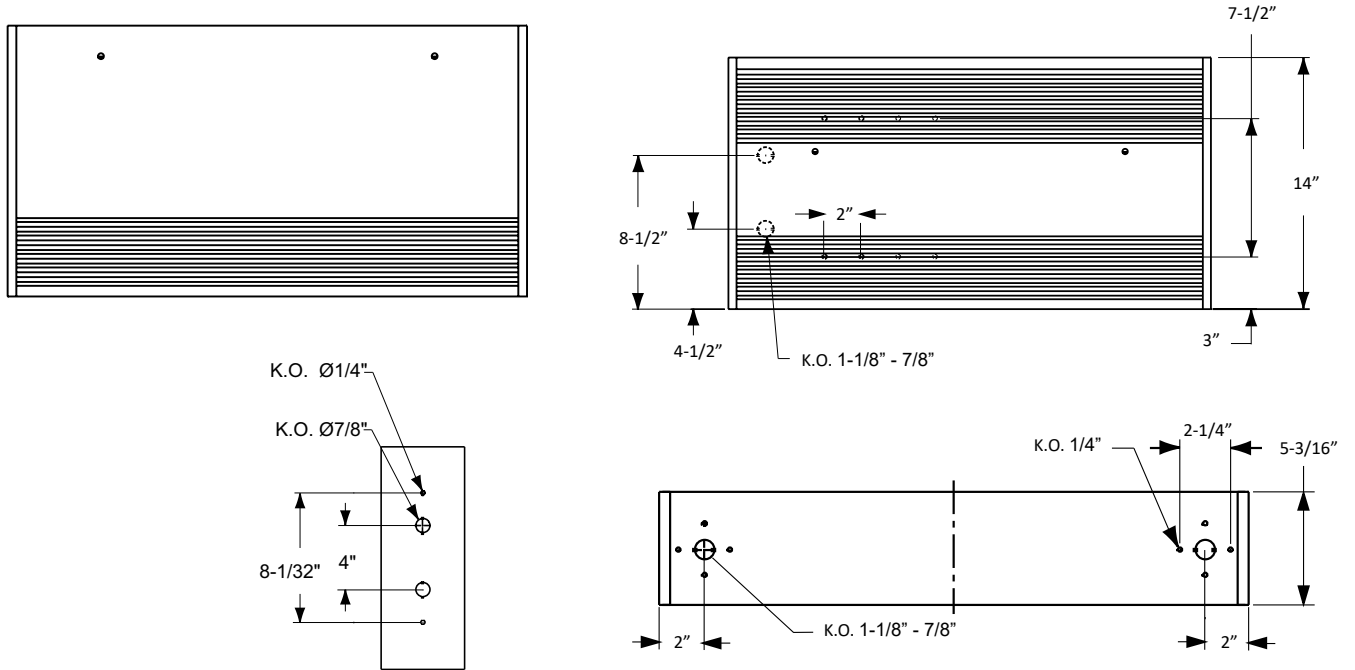
Special or custom colors - See inside back cover for color codes to be added to end of part number.

Empty cabinet sections can be cut to length in the field.

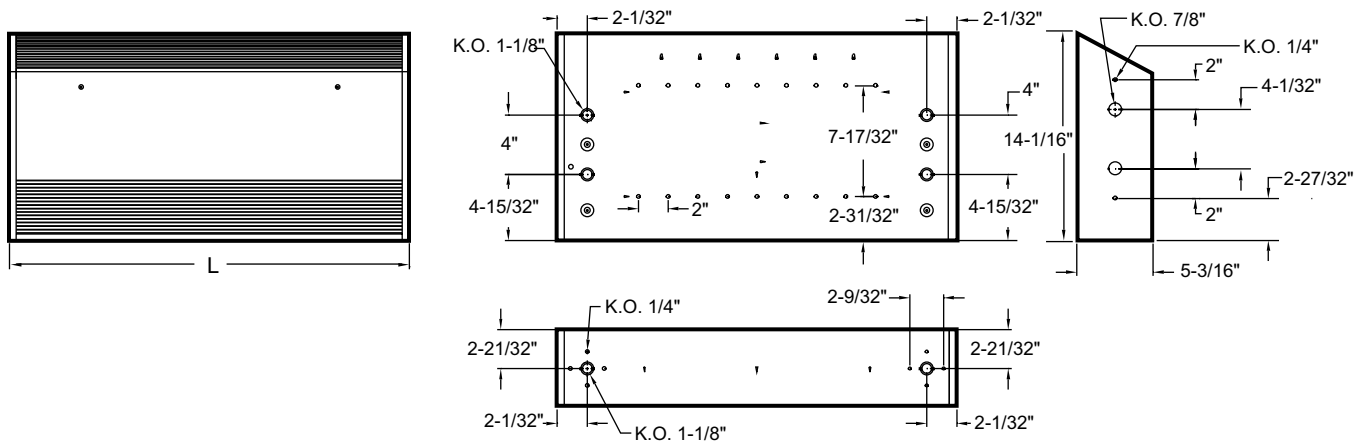
# BAI/BASI SERIES

## Architectural Convactor

### Architectural Sloped Top Convactor



### BAI Series



### BASI Series

# BAI/BASI SERIES

## Architectural Convector Architectural Sloped Top Convector

BAI Model: 909U (Flat Top)

BASI Model: 908U (Sloped Top)

How to order: Model + Heater Code with color code + Options

(example 909U02000NW-1655-T1)

Length In. (mm)	Density		Watts	Heater Code				Watts at 240/208V	Heater Code		Weight Lbs (kg)	
	W/Ft	W/m		208V (1 Ph)	Amps	277V (1 Ph)	Amps		240/208V (1 Ph)	Amps	BAI (Flat)	BASI (Sloped)
27.2 (690)	375	1250	800	00800C‡-690	3.8	00800N‡-690	2.9	800/600	00800V‡-690	3.3/2.9	30 (13.6)	32.0 (14.5)
	500	1640	1000	01000C‡	4.8	01000N‡	3.6	1000/750	01000V‡	4.2/3.6		
37.2 (944)	375	1250	1000	01000C‡-944	4.8	01000N‡-944	3.6	1000/750	01000V‡-944	4.2/3.6	46 (20.9)	46 (20.9)
	500	1640	1500	01500C‡	7.2	01500N‡	5.4	1500/1125	01500V‡	6.3/5.4		
47.2 (1198)	375	1250	1500	01500C‡-1198	7.2	01500N‡-1198	5.4	1500/1125	01500V‡-1198	6.3/5.4	57 (25.9)	57 (25.9)
	500	1640	2000	02000C‡	9.6	02000N‡	7.2	2000/1500	02000V‡	8.3/7.2		
57.2 (1452)	375	1250	1750	01750C‡-1452	8.4	01750N‡-1452	6.3	1750/1313	01750V‡-1452	7.3/6.3	66 (29.9)	66 (30)
	500	1640	2500	02500C‡	12.0	02500N‡	9.0	2500/1875	02500V‡	10.4/9.0		
65.2 (1655)	375	1250	2000	02000C‡-1655	9.6	02000N‡-1655	7.2	2000/1500	02000V‡-1655	8.3/7.2	75 (34.0)	75 (34.1)
	500	1640	3000	03000C‡	14.4	03000N‡	10.8	3000/2250	03000V‡	12.5/10.8		
75.2 (1909)	375	1250	2500	02500C‡-1909	12.0	02500N‡-1909	9.0	2500/1875	02500V‡-1909	10.4/9.0	80 (36.3)	80 (36.3)
	500	1640	3500	03500C‡(1)	16.8	03500N‡	12.6	3500/2625	03500V‡	14.6/12.6		
83.2 (2112)	375	1250	2750	02750C‡-2112	13.2	02750N‡-2112	9.9	2750/2066	02750V‡-2112	11.5/9.9	89 (40.4)	89 (40.5)
	500	1640	4000	04000C‡(1)	19.2	04000N‡	14.4	4000/3000	04000V‡	16.7/14.4		

Other single-phase voltages available, consult factory.

‡Standard colors - Add W for white finish or A for almond finish to the end of catalog number when ‡ is indicated.

Special or custom colors - See inside back cover for color codes to be added to end of catalog number where ‡ is indicated.

(1) If control option R7 is required for these heaters, (Qty 2) R7 Triac proportional relays are required.

# BMI SERIES

## Mini Draft Barrier Heater



### Applications

- Commercial Buildings
- Entryways
- Hallways
- Schools

The BMI mini draft barrier heaters are designed to fit under large windows to prevent cold down drafts. The heater provides total or supplemental heating for a variety of applications.

- **Installation Options:** Units may be wall mounted or installed on the floor using pedestal kits. Custom lengths, blank sections, and inside or outside corners are available for wall-to-wall installations. Units can be ordered with Option "S" smooth painted finish back plate when the back of the heater is visible.
- **Choice of Colors:** Heaters can be matched to any décor. White or almond is standard and a wide range of optional colors and custom finishes including anodized aluminum are available.



### Standard Construction Features

**Heating Elements** – Stainless steel elements with aluminum fins float on high temperature nylon bushings for quiet operation.

**Housing** – Cabinet is constructed of 18-gauge steel with a 14-gauge aluminum front and top covers. The unit has an epoxy/polyester powder paint finish in white or almond. End caps are provided on all units.

**Inlet/Outlet Grilles** – The fresh air inlet is located on the bottom of the unit. The top outlet grille has openings less than 0.25 inches to discourage tampering with the heating element (pencil-proof).

**Built-in Controls** – Linear limit, automatic reset thermal cutout.

**Electrical Connection** – Each heater has a junction box located at the right end and a built-in full length wireway. Separate low voltage wireway is available.

**Mounting Requirements** – Minimum installation height above the floor is two inches. Field or factory-installed low voltage relay and thermostat kits fit into the right-hand junction box only. These units are not for residential use in the United States.

# BMI SERIES

## Mini Draft Barrier Heater

### Factory Built-in Options

Code	Description
D3	Disconnect Switch, Double-pole, 277V, 16 Amp
F1	24V Wireway
L	Custom Length
M1	High Altitude Automatic Cutout
R1	24V Relay, 240V, 22 Amp; 277V, 19 Amp; 600V, 10 Amp
R2	24V Relay with Transformer, 240V, 22 Amp; 277V, 19 Amp
R6	Pneumatic Relay, 480V, 20 Amp
R7	Triac Proportional Relay 277V Max., 2500W Max.
S	Smooth painted finish on heater back (2)
T1	Tamperproof Thermostat, Single-pole, 277V, 25 Amp
T2	Tamperproof Thermostat, Double-pole, 277V, 25 Amp with off position
T5	Adjustable Thermostat, Single-pole, 277V, 25 Amp; 600V, 10 Amp
T6	Adjustable Thermostat, Double-pole, 277V, 25 Amp with off position

(2) For anodize aluminum finished heaters, smooth back is affixed with rivets.

### Field-Installed Options

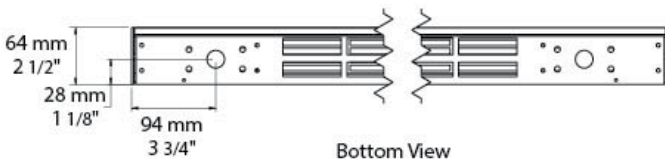
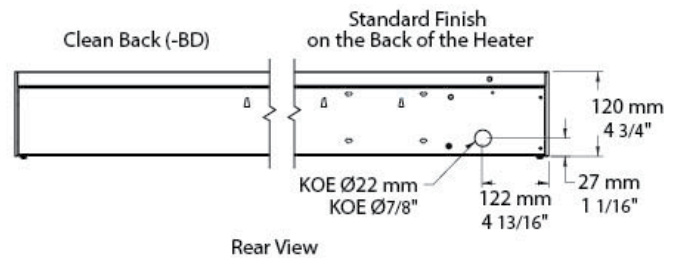
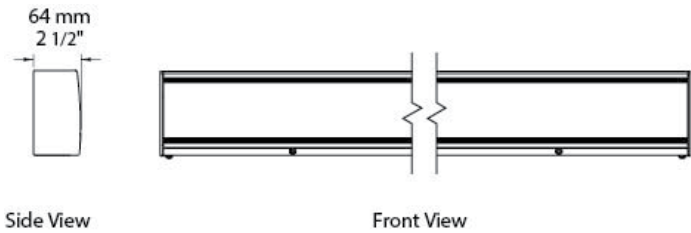
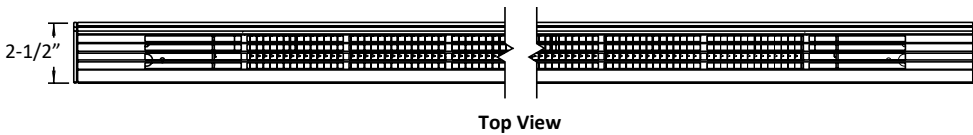
(shipped loose for field installation into heater)

Catalog Number	Description
914-166740	Inside Corner
914-166741	Outside Corner
914-166742	Round Pedestal Kit, 3-5", Qty 2
914-166743	Square Pedestal Kit, 2", Qty 2
914-166744	Splice Plate 2" Long
914-166745	Contoured Splice Plate for Code S (smooth painted finish on heater back) and/or Heater with Pedestals
941-1666746	24V Relay Kit, 240V, 22 Amp; 277V, 19 Amp
914-166747	24V Relay Kit with Transformer, 208V, 22 Amp
914-166748	24V Relay Kit with Transformer, 240V, 22 Amp
914-166749	24V Relay Kit with Transformer, 277V 19 Amp
914B-XXX	Blank Section (specify length in inches-XXX)
914-224761	Tamperproof Single-pole Thermostat Kit 277V, 25 Amp; 600V, 10 Amp
914-224762	Tamperproof Double-pole Thermostat Kit 277V, 25 Amp; 600V, 10 Amp with off position
914-224763	Single-pole Thermostat Kit 277V, 25 Amp; 600V, 10 Amp
914-224764	Single-pole Thermostat Kit 277V, 25 Amp; 600V, 10 Amp with off position

Standard colors - Add W for white finish or A for almond finish to the end of part number.

Special or custom colors - See inside back cover for color codes to be added to end of part number.

### Remote Room Thermostat – See page 31.





# BMI SERIES

## Mini Draft Barrier Heater

BMI Model: 914U

How to order: Model + Heater Code with color code + Options  
(example 914U00400NW-1200-T5)

Length In. (mm)	Density		Watts	Heater Code						Watts 240/208V	Heater Code		Weight Lbs (kg)
	W/Ft	W/m		208V (1 Ph)	Amps	277V (1 Ph)	Amps	480V (1 Ph)	Amps		240/208V (1 Ph)	Amps	
27.6 (700)	150	490	300	00300C‡-700	1.4	—	1.1	—	—	300/225	00300V‡-700	1.3/1.1	7 (3.2)
	175	574	350	00350C‡	1.7	00350N‡	1.3	—	—	350/263	00350V‡	1.5/1.3	
35.4 (900)	100	330	300	00300C‡-900	1.4	—	1.1	00300T‡-900	0.6	300/225	00300V‡-900	1.3/1.1	8.3 (3.8)
	150	490	450	00450C‡-900	2.2	00450N‡-900	1.6	00450T‡-900	0.9	450/338	00450V‡-900	1.9/1.6	
	175	574	525	00525C‡	2.5	00525N‡	1.9	00525T‡	1.1	525/394	00525V‡	2.2/1.9	
47.3 (1200)	100	330	400	00400C‡-1200	1.9	00400N‡-1200	1.4	00400T‡-1200	0.8	400/300	00400V‡-1200	1.7/1.4	10.2 (4.6)
	150	490	600	00600C‡-1200	2.9	00600N‡-1200	2.2	00600T‡-1200	1.3	600/450	00600V‡-1200	2.5/2.2	
	175	574	700	00700C‡	3.4	00700N‡	2.5	00700T‡	1.5	700/526	00700V‡	2.9/2.5	
59.1 (1500)	100	330	500	00500C‡-1500	2.4	00500N‡-1500	1.8	00500T‡-1500	1.0	500/375	00500V‡-1500	2.1/1.8	12 (5.5)
	150	490	750	00750C‡-1500	3.6	00750N‡-1500	2.7	00750T‡-1500	1.6	750/563	00750V‡-1500	3.1/2.7	
	175	574	875	00875C‡	4.2	00875N‡	3.2	00875T‡	1.8	875/657	00875V‡	3.6/3.2	
70.9 (1800)	100	330	600	00600C‡-1800	2.9	00600N‡-1800	2.2	00600T‡-1800	1.3	600/450	00600V‡-1800	2.5/2.2	13.9 (6.3)
	150	490	900	00900C‡-1800	4.3	00900N‡-1800	3.2	00900T‡-1800	1.9	900/675	00900V‡-1800	3.8/3.2	
	175	574	1050	01050C‡	5.0	01050N‡	3.8	01050T‡	2.2	1050/789	01050V‡	4.4/3.8	
82.7 (2100)	100	330	700	00700C‡-2100	3.4	00700N‡-2100	2.5	00700T‡-2100	1.5	700/525	00700V‡-2100	2.9/2.5	15.8 (7.2)
	150	490	1050	01050C‡-2100	5.0	01050N‡-2100	3.8	01050T‡-2100	2.2	1050/788	01050V‡-2100	4.4/3.8	
	175	574	1225	01225C‡	5.9	01225N‡	4.4	01225T‡	2.6	1225/920	01225V‡	5.1/4.4	
94.5 (2400)	100	330	800	00800C‡-2400	3.8	00800N‡-2400	2.9	00800T‡-2400	1.7	800/600	00800V‡-2400	3.3/2.9	17.6 (8)
	150	490	1200	01200C‡-2400	5.8	01200N‡-2400	4.3	01200T‡-2400	2.5	1200/900	01200V‡-2400	5.0/4.3	
	175	574	1400	01400C‡	6.7	01400N‡	5.1	01400T‡	2.9	1400/1052	01400V‡	5.8/5.1	

Other voltages available, consult factory.

‡Standard colors - Add W for white finish or A for almond finish to the end of catalog number when ‡ is indicated.

Special or custom colors - See inside back cover for color codes to be added to end of catalog number where ‡ is indicated

# BHI SERIES

## High Watt Density Draft Barrier



### Applications

- Commercial Buildings
- Entryways
- Hallways
- Hospitals
- Shopping Centers

#### Standard



#### Special Colors



The BHI high watt density draft barrier heaters are designed to fit under large windows to prevent cold down drafts. The heater provides total or supplemental heating for a variety of applications.

- **Installation Options:** Units may be wall mounted or installed on the floor using pedestal kits. Custom lengths, blank sections and inside or outside corners are available for wall-to-wall installations. Units can be ordered with smooth painted finish back plate when the back of the heater is visible. These units are not, however, designed for residential use.
- **Choice of Colors:** Heaters can be matched to any décor. White or almond is standard and a wide range of optional colors and custom finishes, including anodized aluminum, are also available.

## Standard Construction Features

**Heating Elements** – Two stainless steel elements with aluminum fins float on high temperature nylon bushings for quiet operation.

**Housing** – Cabinet is constructed of 18-gauge steel with a 14-gauge aluminum front and top covers. The unit has an epoxy/polyester powder paint finish in white or almond. End caps are provided on all units.

**Inlet/Outlet Grilles** – The fresh air inlet is located on the bottom of the unit. The top outlet grille has openings less than 0.25 inches to discourage tampering with the heating element (pencil-proof).

**Built-in Controls** – Linear limit, automatic reset thermal cutout.

**Electrical Connection** – Each heater has a junction box located at the right end and a built-in full length wireway. Separate low voltage wireway is available.

**Installation Requirements** – Minimum installation height above the floor is three inches. Field or factory-installed low voltage relay and thermostat kits fit into the right-hand junction box only. These units are not for residential use in the United States.



# BHI SERIES

## High Watt Density Draft Barrier

### Factory Built-in Options

Code	Description
D1	Disconnect Switch, Three-pole, 600V, 32 Amp
D3	Disconnect Switch, Double-pole, 277V, 16 Amp
F1	24V Wireway
L	Custom Length
M1	High Altitude Automatic Cutout
R1	24V Relay, 240V, 22 Amp; 277V, 19 Amp; 600V, 10 Amp
R2	24V Relay with Transformer, 240V, 22 Amp; 277V, 19 Amp
R6	Pneumatic Relay, 480V, 20 Amp
R7	Triac Proportional Relay 277V Max., 2500W Max.
S	Smooth painted finish on heater back (2)
T1	Tamperproof Thermostat, Single-pole, 240V, 25 Amp; 600V, 10 Amp
T2	Tamperproof Thermostat, Double-pole, 240V, 25 Amp; 600V, 10 Amp
T5	Adjustable Thermostat, Single-Pole 277V, 25 Amp, 600V, 10 Amp
T6	Adjustable Thermostat, Double-Pole 277V, 25 Amp, 600V, 10 Amp

(2) For anodize aluminum finished heaters, smooth back is affixed with rivets.

### Field-Installed Options

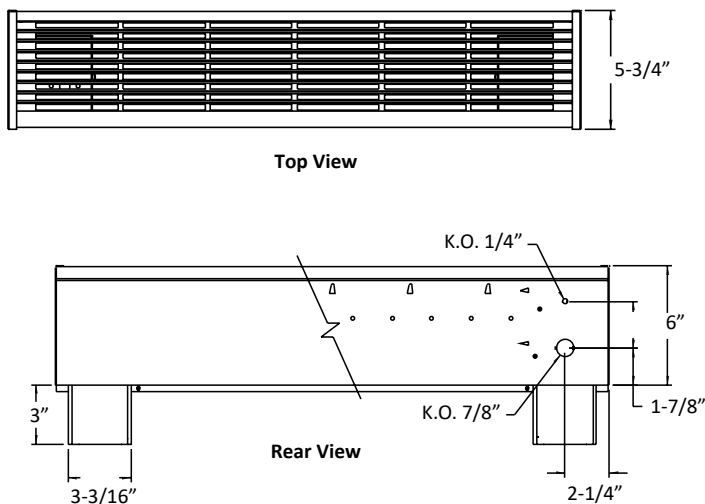
(shipped loose for field installation into heater)

Catalog Number	Description
916-166753	Inside Corner, 7.875" Long
916-166754	Outside Corner, 8" Long
916-166756	Square Pedestal Kit, 3", Qty 2
916-166757	Splice Plate 2" Long
916-166758	Contoured Splice Plate for Code S (smooth painted finish on heater back) and/or Heater with Pedestals
916-166759	24V Relay Kit, 240V, 22 Amp; 277V, 19 Amp
916-166760	24V Relay Kit with Transformer, 208V, 22 Amp
916-166761	24V Relay Kit with Transformer, 240V, 22 Amp
916-166762	24V Relay Kit with Transformer, 277V 19 Amp
916B-XXX	Blank Section (specify length in inches-XXX)
916-224765	Tamperproof Thermostat, Single-pole, 240V, 25 Amp; 600V, 10 Amp
916-224766	Tamperproof Thermostat, Double-pole, 240V, 25 Amp; 600V, 10 Amp
916-264350	Adjustable Single-pole Thermostat Kit 240V, 25 Amp; 600V, 10 Amp with off position
916-264351	Adjustable Double-pole Thermostat Kit 240V, 25 Amp; 600V, 10 Amp with off position

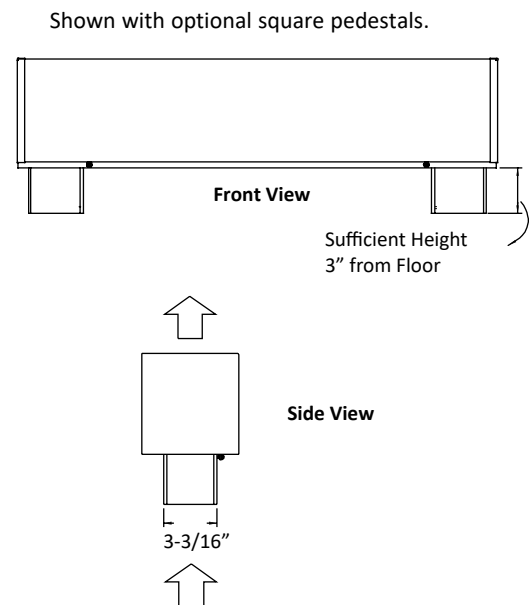
Standard colors - Add W for white finish or A for almond finish to the end of part number.

Special or custom colors - See inside back cover for color codes to be added to end of part number.

### Remote Room Thermostat – See page 31.



Standard Finish on heater back  
Smooth Finish on heater back - (S)



# BHI SERIES

## High Watt Density Draft Barrier

BHI Model: 916U

How to Order: Model + Heater Code with color code + Options

(example 916U00875CW-1500-T1)

Length In. (mm)	Density		Watts	Heater Code						Watts at 240/208V	Heater Code		Weight Lbs (kg)
	W/Ft	W/m		208V (1 Ph)	Amps	277V (1 Ph)	Amps	480V (1 Ph)	Amps		240/208V (1 Ph)	Amps	
23.6 (600)	175	575	375	00375C‡-600	1.8	00375N‡-600	1.4	—	—	375/281	00375V‡-600	1.6/1.4	10.7 (4.8)
	250	820	500	00500C‡-600	2.4	00500N‡-600	1.8	—	—	500/375	00500V‡-600	2.1/1.8	
	355	1165	750	00750C‡	3.6	00750N‡	2.7	—	—	750/563	00500V‡	3.1/2.7	
	500	1640	1000	01000C‡-600	4.8	01000N‡-600	3.6	01000T‡-600	2.1	1000/750	01000V‡-600	4.2/3.6	
35.4 (900)	175	575	500	00500C‡-900	2.4	00500N‡-900	1.8	00500T‡-900	1.0	500/375	00500V‡-900	2.1/1.8	14.1 (6.4)
	250	820	750	00750C‡-900	3.6	00750N‡-900	2.7	00750T‡-900	1.6	750/563	00750V‡-900	3.1/2.7	
	355	1165	1000	01000C‡	4.8	01000N‡	3.6	01000T‡	2.1	1000/751	01000V‡	4.2/3.6	
	500	1640	1500	01500C‡-900	7.2	01500N‡-900	5.4	01500T‡-900	3.1	1500/1125	01500V‡-900	6.3/5.4	
47.3 (1200)	175	575	700	00700C‡-1200	3.4	00700N‡-1200	2.5	00700T‡-1200	1.5	700/525	00700V‡-1200	2.9/2.5	17.6 (8.0)
	250	820	1000	01000C‡-1200	4.8	01000N‡-1200	3.6	01000T‡-1200	2.1	1000/750	01000V‡-1200	4.2/3.6	
	355	1165	1400	01400C‡	6.7	01400N‡	5.1	01400T‡	2.9	1400/1052	01400V‡	5.8/5.1	
	500	1640	2000	02000C‡-1200	9.6	02000N‡-1200	7.2	02000T‡-1200	4.2	2000/1500	02000V‡-1200	8.3/7.2	
59.1 (1500)	175	575	875	00875C‡-1500	4.2	00875N‡-1500	3.2	00875T‡-1500	1.8	875/656	00875V‡-1500	3.6/3.2	21.1 (9.6)
	250	820	1250	01250C‡-1500	6.0	01250N‡-1500	4.5	01250T‡-1500	2.6	1250/938	01250V‡-1500	5.2/4.5	
	355	1165	1750	01750C‡	8.4	01750N‡	6.3	01750T‡	3.6	1750/1314	01750V‡	7.3/6.3	
	500	1640	2500	02500C‡-1500	12	02500N‡-1500	9.0	02500T‡-1500	5.2	2500/1875	02500V‡-1500	10.4/9.0	
70.9 (1800)	175	575	1050	01050C‡-1800	5.0	01050N‡-1800	3.8	01050T‡-1800	2.2	1050/788	01050V‡-1800	4.4/3.8	24.6 (11.1)
	250	820	1500	01500C‡-1800	7.2	01500N‡-1800	5.4	01500T‡-1800	3.1	1500/1125	01500V‡-1800	6.3/5.4	
	355	1165	2100	02100C‡	10.1	02100N‡	7.6	02100T‡	4.4	2100/1577	02100V‡	8.8/7.6	
	500	1640	3000	03000C‡-1800	14.4	03000N‡-1800	10.8	03000T‡-1800	6.3	3000/2250	03000V‡-1800	12.5/10.8	
82.7 (2100)	175	575	1225	01225C‡-2100	5.9	01225N‡-2100	4.4	01225T‡-2100	2.6	1225/919	01225V‡-2100	5.1/4.4	28.0 (12.7)
	350	820	1750	01750C‡-2100	8.4	01750N‡-2100	6.3	01750T‡-2100	3.6	1750/1313	01750V‡-2100	7.3/6.3	
	250	1165	2450	02450C‡	11.8	02450N‡	8.8	02450T‡	5.1	2450/1840	02450V‡	10.2/8.8	
	500	1640	3500	03500C‡-2100	16.8	03500N‡-2100	12.6	03500T‡-2100	7.3	3500/2625	03500V‡-2100	14.6/12.6	
94.5 (2400)	175	575	1400	01400C‡-2400	6.7	01400N‡-2400	5.1	01400T‡-2400	2.9	1400/1050	01400V‡-2400	5.8/5.0	31.5 (14.3)
	250	820	2000	02000C‡-2400	9.6	02000N‡-2400	7.2	02000T‡-2400	4.2	2000/1500	02000V‡-2400	8.3/7.2	
	355	1165	2800	02800C‡	13.5	02800N‡	10.1	02800T‡	5.8	2800/2103	02800V‡	11.7/10.1	
	500	1640	4000	04000C‡-2400	19.2	04000N‡-2400	14.4	04000T‡-2400	8.3	4000/3000	04000V‡-2400	16.7/14.4	

Other voltages available, consult factory.

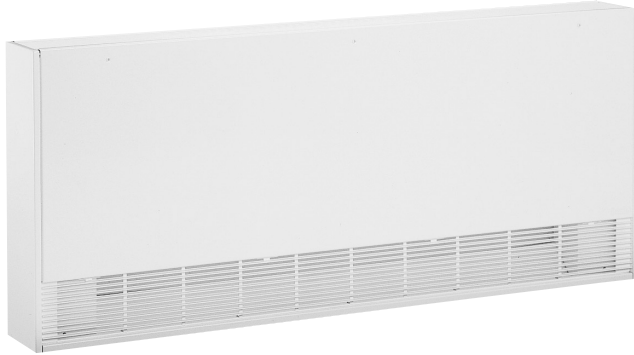
‡Standard colors - Add W for white finish or A for almond finish to the end of catalog number when ‡ is indicated.

Special or custom colors - See inside back cover for color codes to be added to end of catalog number where ‡ is indicated.

# CAI/CASI SERIES

## Architectural Cabinet Convactor

### Architectural Sloped Top Cabinet Convactor



CAI



CASI

The CAI/CASI convectors are designed to heat large commercial spaces. They provide large amounts of heat without the fan noise associated with unit heaters.

- **Installation Options:** Units may be mounted to the wall, flush on the floor or on pedestals. CAI units can be fully recessed when the front warm air outlet option is used. These units are not for residential use in the United States.
- **Added Safety:** The sloped-top cabinet on the CASI prevents objects from being set on top of the heater, which can restrict airflow and cause overheating.
- **Wall-to-Wall Installation:** A smooth painted finish back plate is available so that the unit can be mounted against glass walls.

Standard



Special Colors



#### Applications

- Classrooms
- Hallways
- Conference Rooms
- Lobbies

### Standard Construction Features

**Heating Elements** – Stainless steel elements with aluminum fins float on high temperature nylon bushings for quiet operation.

**Housing** – Cabinet is constructed of 20-gauge steel with a 16-gauge steel front cover. The unit has an epoxy/polyester powder paint finish in white or almond. Mounting holes are

provided along the back of the cabinet for wall installation.

**Inlet/Outlet Grilles** – The fresh air inlet grille is located on the front of the unit. An extruded aluminum outlet grille discourages tampering with the heating elements.

**Built-in Controls** – Linear limit, automatic reset thermal cutout.

**Rough In Dimensions** – CAI only: Heater Length + 1" wide x 21" high x 6" deep.

# CAI/CASI SERIES

## Architectural Cabinet Convector

## Architectural Sloped Top Cabinet Convector

### Factory Built-in Options

Code	Description
D1	Disconnect Switch, Three-pole, 600V, 32 Amp
F	Front Air outlet (CAI Only)
R1	24V Relay, Single-pole, 240V, 22 Amp; 277V, 19 Amp
R2	24V Relay with Transformer, 240V, 22 Amp; 277V, 19 Amp
R3	24V Double-pole Relay, 240V, 25 Amp; 277V, 19 Amp
R4	240V Relay, Single-pole, 240V, 25 Amp
R5	240V Relay, Double-pole, 240V, 25 Amp
R6	Pneumatic Relay, 480V, 20 Amp
R7	Triac Proportional Relay, 277V Max., 2500W Max.
S	Smooth painted finish on heater back
T1	Tamperproof Thermostat, Single-pole, 240V, 30 Amp; 480V, 15 Amp
T2	Tamperproof Thermostat, Double-pole, 480V, 15 Amp
X1	240V Transformer - 50 VA
X2	24V Transformer - 50 VA

Remote Room Thermostat – See page 31.

### Field-Installed Options

(shipped loose for field installation into heater)

Catalog Number	Description	
912-124546	CAI Corner (interior and exterior)	
911-124546	CASI inside corner	
911-218358	CASI outside corner	
912-124547	Universal Round Pedestal Kit	3 (76) High
912-124548	Sub Base Heater Length In. (mm)	27.2 (690)
912-124549		37.2 (944)
912-124550		47.2 (1198)
912-124551		57.2 (1452)
912-124552		65.2 (1655)
912-218283(1)	Empty Cabinet Length In. (mm)	27.2 (690)
912-218284(1)		37.2 (944)
912-218285(1)		47.2 (1198)
912-218286(1)		57.2 (1452)
912-218287(1)		65.2 (1655)
912-124553	Recessed Trim Kit Heater Length In. (mm)	27.2 (690)
912-124554		37.2 (944)
912-124555		47.2 (1198)
912-124556		57.2 (1452)
912-124557		65.2 (1655)
912-124561(1)	Control Box - 12"	12 (306)
912-124562	24V Relay Kit, Single-pole, 240V, 22 Amp; 277V, 19 Amp	
912-124563	24V Relay Kit, Double-pole, 240V, 25 Amp; 277V, 19 Amp	
912-124566	24V Relay Kit with Transformer, 208V, 22 Amp	
912-124567	24V Relay Kit with Transformer, 240V, 22 Amp	
912-124568	24V Relay Kit with Transformer, 277V, 19 Amp	
912-224767 (1)	Tamperproof Thermostat, Single-pole, 240V, 30 Amp; 480V, 15 Amp	
912-224768 (1)	Tamperproof Thermostat, Double-pole 480V, 15 Amp	

(1) Change 912 prefix to 911 for CASI.

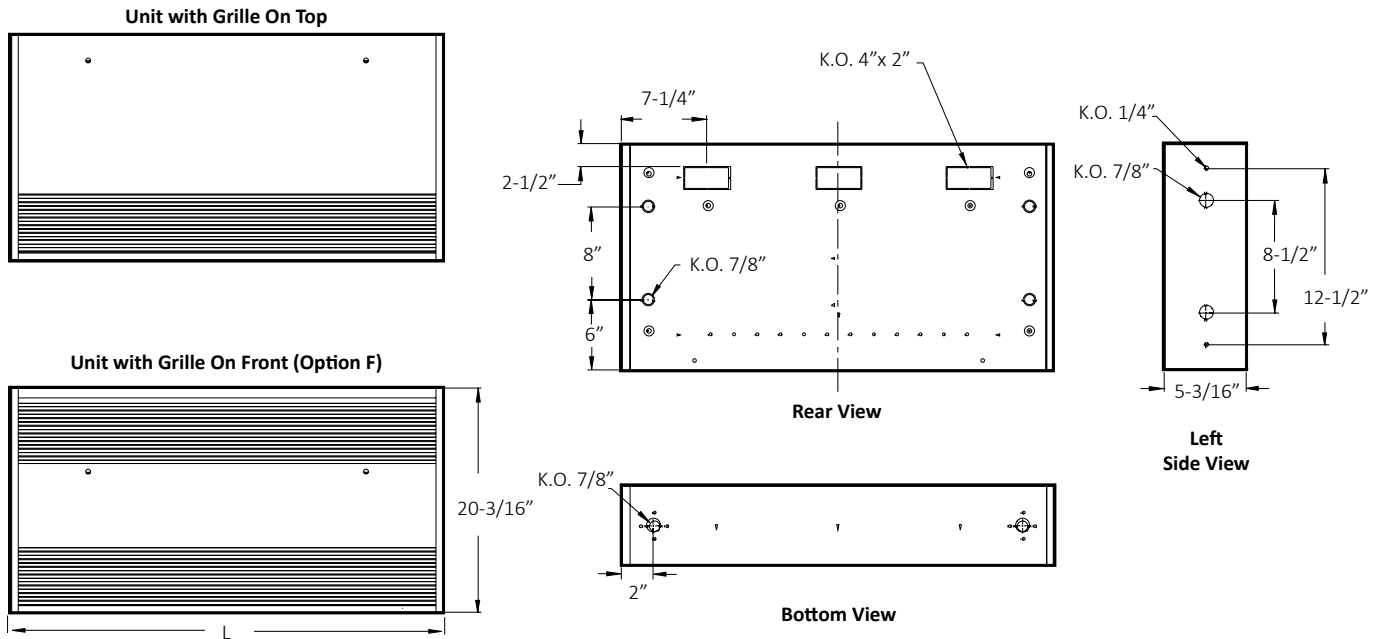
**Standard colors - Add W for white finish or A for almond finish to the end of part number.**

Special or custom colors - See inside back cover for color codes to be added to end of part number.

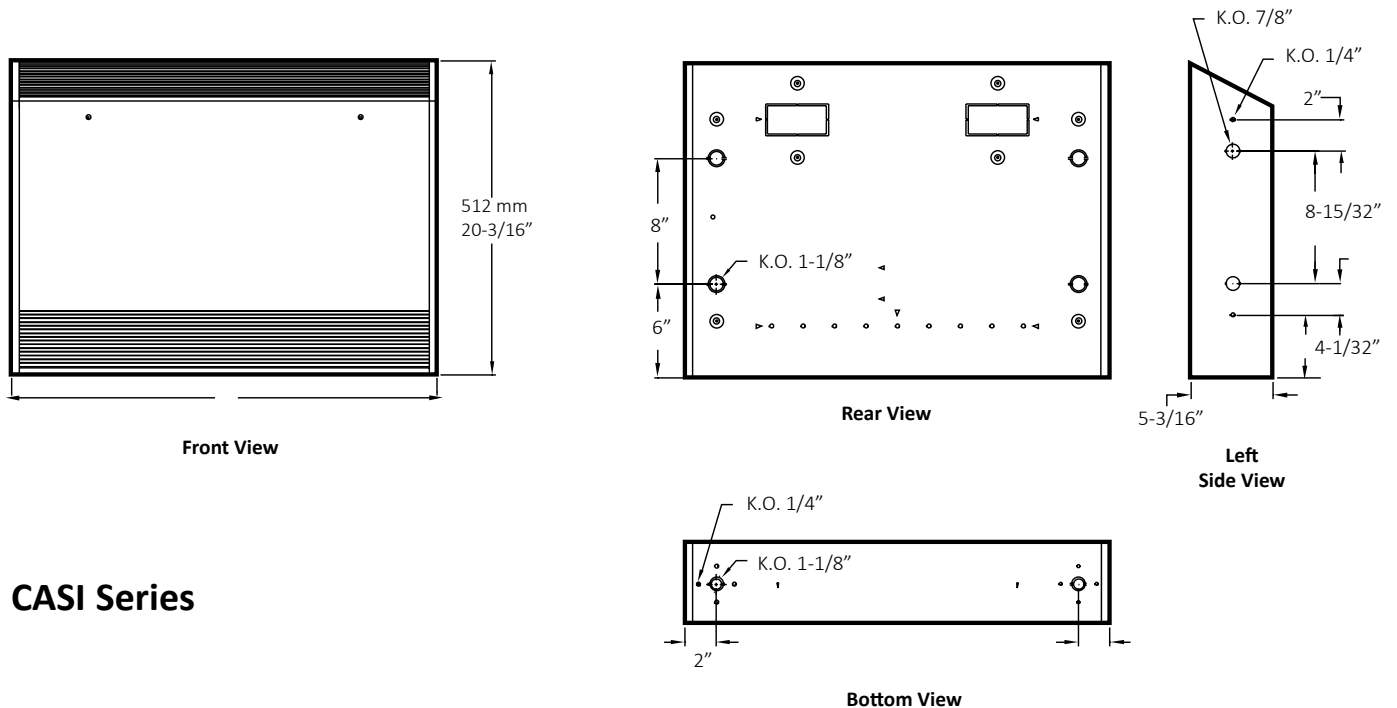
Empty cabinet sections can be cut to length in the field.

# CAI/CASI SERIES

## Architectural Cabinet Convector Architectural Sloped Top Cabinet Convector



### CAI Series



### CASI Series

# CAI/CASI SERIES

## Architectural Cabinet Convector

## Architectural Sloped Top Cabinet Convector

CAI Model: 912U (Flat Top)

CASI Model: 911U (Sloped Top)

How to order: Model + Heater Code with color code + Options

(example: 912U03000CW-1198-T1)

Length In. (mm)	Density		Watts	Heater Code						Watts at 240/208V	Heater Code		Weight Lbs (kg)	
	W/Ft	W/m		208V (1 ph)	Amps	240V (1 ph)	Amps	277V (1 ph)	Amps		240/208V (1 ph)	Amps	CAI (Flat)	CASI (Sloped)
27.2 (690)	500	1640	1000	01000C‡-690	4.8	01000J‡-690	4.2	01000N‡-690	3.6	1000/750	01000V‡-690	4.2/3.6	37 (16.8)	37 (16.8)
	750	2450	1500	01500C‡-690	7.2	01500J‡-690	6.3	01500N‡-690	5.4	1500/1125	01500V‡-690	6.3/5.4		
	1000	3280	2000	02000C‡	9.6	02000J‡	8.3	02000N‡	7.2	2000/1500	02000V‡	8.3/7.2		
37.2 (944)	500	1640	1500	01500C‡-944	7.2	01500J‡-944	6.3	01500N‡-944	5.4	1500/1125	01500V‡-944	6.3/5.4	47 (21.3)	47 (21.3)
	750	2450	2250	02250C‡-944	10.8	02250J‡-944	9.4	02250N‡-944	8.1	2250/1690	02250V‡-944	9.4/8.1		
	1000	3280	3000	03000C‡	14.4	03000J‡	12.5	03000N‡	10.8	3000/2250	03000V‡	12.5/10.8		
47.2 (1198)	500	1640	2000	02000C‡-1198	9.6	02000J‡-1198	8.3	02000N‡-1198	7.2	2000/1500	02000V‡-1198	8.3/7.2	57 (25.9)	57 (25.9)
	750	2450	3000	03000C‡-1198	14.4	03000J‡-1198	12.5	03000N‡-1198	10.8	3000/2250	03000V‡-1198	12.5/10.8		
	1000	3280	4000	04000C‡	19.2	04000J‡	16.7	04000N‡	14.4	4000/3000	04000V‡	16.7/14.4		
57.2 (1452)	500	1640	2500	02500C‡-1452	12.0	02500J‡-1452	10.4	02500N‡-1452	9.0	2500/1875	02500V‡-1452	10.4/9.0	67 (30.4)	67 (30.4)
	750	2450	3750	03750C‡-1452	18.0	03750J‡-1452	15.6	03750N‡-1452	13.5	3750/2817	03750V‡-1452	15.6/13.5		
	1000	3280	5000	05000C‡	24.0	05000J‡	20.8	05000N‡	18.1	5000/3750	05000V‡	20.8/18.0		
65.2 (1655)	500	1640	3000	03000C‡-1655	14.4	03000J‡-1655	12.5	03000N‡-1655	10.8	3000/2250	03000V‡-1655	12.5/10.8	79 (35.8)	79 (35.8)
	750	2450	4500	04500C‡-1655	21.6	04500J‡-1655	18.8	04500N‡-1655	16.2	4500/3380	04500V‡-1655	18.8/16.3		
	1000	3280	6000	06000C‡	28.8	06000J‡	25.0	06000N‡	21.7	6000/4500	06000V‡	25.0/21.6		

Length In. (mm)	Density		Watts	Heater Code						Watts at 240/208V	Heater Code		Weight Lbs (kg)	
	W/Ft	W/m		208V (3 ph)	Amps	240V (3 ph)	Amps	480V (3 ph)	Amps		240/208V (3 ph)	Amps	CAI (Flat)	CASI (Sloped)
27.2 (690)	500	1640	1000	01000D‡-690	2.8	01000K‡-690	2.4	01000U‡-690	1.2	1000/750	01000P‡-690	2.8/2.1	37 (16.8)	37 (16.8)
	750	2450	1500	01500D‡-690	4.2	01500K‡-690	3.6	01500U‡-690	1.8	1500/1125	01500P‡-690	3.6/3.1		
	1000	3280	2000	02000D‡	5.6	02000K‡	4.8	02000U‡	2.4	2000/1500	02000P‡	4.8/4.2		
37.2 (944)	500	1640	1500	01500D‡-944	4.2	01500K‡-944	3.6	01500U‡-944	1.8	1500/1125	01500P‡-944	3.6/3.1	47 (21.3)	47 (21.3)
	750	2450	2250	02250D‡-944	6.2	02250K‡-944	5.4	02250U‡-944	2.7	2250/1690	02250P‡-944	5.4/4.7		
	1000	3280	3000	03000D‡	8.3	03000K‡	7.2	03000U‡	3.6	3000/2250	03000P‡	7.2/6.2		
47.2 (1198)	500	1640	2000	02000D‡-1198	5.6	02000K‡-1198	4.8	02000U‡-1198	2.4	2000/1500	02000P‡-1198	4.8/4.2	57 (25.9)	57 (25.9)
	750	2450	3000	03000D‡-1198	8.3	03000K‡-1198	7.2	03000U‡-1198	3.6	3000/2250	03000P‡-1198	7.2/6.2		
	1000	3280	4000	04000D‡	11.1	04000K‡	9.6	04000U‡	4.8	4000/3000	04000P‡	9.6/8.3		
57.2 (1452)	500	1640	2500	02500D‡-1452	6.9	02500K‡-1452	6.0	02500U‡-1452	3.0	2500/1875	02500P‡-1452	6.0/5.2	67 (30.4)	67 (30.4)
	750	2450	3750	03750D‡-1452	10.4	03750K‡-1452	9.0	03750U‡-1452	4.5	3750/2817	03750P‡-1452	9.0/7.8		
	1000	3280	5000	05000D‡	13.9	05000K‡	12.0	05000U‡	6.0	5000/3750	05000P‡	12.0/10.4		
65.2 (1655)	500	1640	3000	03000D‡-1655	8.3	03000K‡-1655	7.2	03000U‡-1655	3.6	3000/2250	03000P‡-1655	7.2/6.2	79 (35.8)	79 (35.8)
	750	2450	4500	04500D‡-1655	12.5	04500K‡-1655	10.8	04500U‡-1655	5.4	4500/3380	04500P‡-1655	10.8/9.4		
	1000	3280	6000	06000D‡	16.7	06000K‡	14.4	06000U‡	7.2	6000/4500	06000P‡	14.4/12.5		

Other voltages available, consult factory.

‡Standard colors - Add W for white finish or A for almond finish to the end of catalog number when ‡ is indicated.

Special or custom colors - See inside back cover for color codes to be added to end of catalog number where ‡ is indicated.

For three-phase units a double pole relay or thermostat is required.



# TRH SERIES

## Trench Insert Floor Convectors



### Applications

- Bay window
- Commercial building
- Condos
- Restaurants
- Lobbies

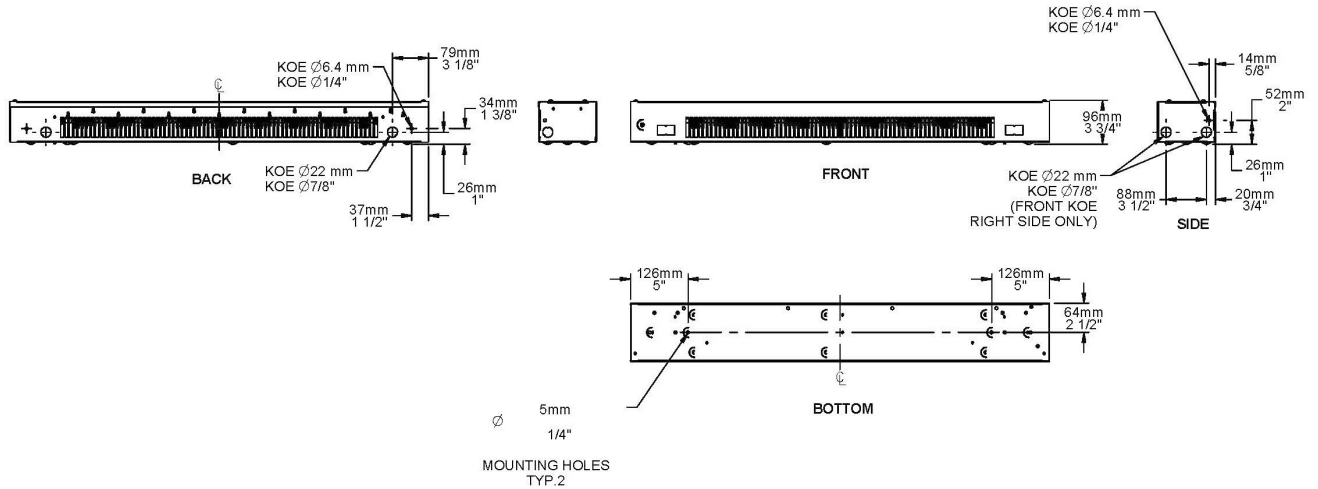
The TRH trench insert floor heater is an approved heater to be installed under a floor level grille inside a site-built trench. The construction will allow for many custom and architecturally pleasing applications.

- **Installation:** Must be installed inside a trench under a floor with a compatible top trench grille (not supplied), which must cover the entire length of the heater. Please refer to the table of Models of compatible top trench grilles. 2 fixing holes in the bottom of the heater.

### Standard



### Special Colors



## Standard Construction Features

**Heating Elements** - Stainless steel tubular heating element with aluminum fins. Floating heating element on high-temperature nylon bushings reducing expansion noises.

**Construction** - Sturdy construction of 20-gauge steel. Linear high-limit temperature control with automatic reset. Linear high-limit temperature control with manual reset.

**Control** - Mechanical or electronic relays available (installed on the right end only). Indeco highly recommends using an electronic wall thermostat for greater comfort.

**Finish** - Standard color is an epoxy/polyester semi-gloss black. Optional colors (additional charge): white, almond, metallic silver, bronze, metallic charcoal, and aluminum.



# TRH SERIES

## Trench Insert Floor Convactor

### Field-Installed Options (shipped loose for field installation into heater)

### Factory Built-in Options

Code	Description
D3	Disconnect Switch, 277V, Double-pole, 16 Amp
D1	Disconnect Switch, 600V, Three-pole, 40 Amp
R1	24V Relay, Single-pole, 240V, 22 Amp; 277V, 19 Amp
R2	24V Relay with Transformer, 240V, 22 Amp; 277V, 19 Amp
R7	24V TRIAC Proportional Relay, 240V, 22 Amp, 277V, 19 Amp, 600V, 6 Amp
R8	24V TRIAC Proportional Relay with transformer, 240V, 22 Amp, 277V, 19 Amp

Catalog Number	Description
943-340568	Relay Kit 24V without Transformer, Single-pole: 22A at 120V, 208V, 240V-19A at 277V
943-340569	Relay Kit 24V, without Transformer, Single-pole: 10A at 480V
943-340570	Relay Kit 24V, with Transformer, Single-pole: 208V/24V, 22A at 208V
943-340571	Relay Kit 24V, with Transformer, Single-pole: 240V/24V, 22A at 240V
943-340572	Relay Kit 24V, with Transformer, Single-pole: 277V/24V, 19A at 277V
943-340574	Electronic Relay Kit 24V, without Transformer, Single-pole: 10A at 277V
943-340575	Electronic Relay 24V, with Transformer, Single-pole: 10A max. at 277V
943-340576	Electronic Relay 24V, without Transformer, Single-pole: 6A at 480V
943-340577	Disconnect switch Kit, 20A at 277V max.
943-340578	Disconnect switch Kit, 40A at 480V

How to order: Heater Code with color code + Options  
(example 943U00750BBK-D3)

Length In. (mm)	Density	Watts	Heater Code						Watts 240/208V	Heater Code				Weight Lbs (kg)
	W/Ft		120 (1 Ph)	Amps	208 (1 Ph)	Amps	277 (1 Ph)	Amps		240/208 (1 Ph)	Amps	480 (1 Ph)	Amps	
36" (915)	250	750	943U00750B‡	6.3	943U00750C‡	3.6	943U00750N‡	2.7	750/563	943U00750V‡	3.1/2.7	-	-	8.4 (3.8)
36" (915)	167	500	943U00500B‡-915	4.2	943U00500C‡-915	2.4	943U00500N‡-915	1.8	500/375	943U00500V‡-915	2.1/1.8	-	-	8.4 (3.8)
36" (915)	200	600	943U00600B‡-915	6.3	943U00600C‡-915	2.9	943U00600N‡-915	2.2	750/563	943U00600V‡-915	2.5/2.2	-	-	8.4 (3.8)
48" (1220)	250	1000	-	-	943U01000C‡	4.8	943U01000N‡	3.6	1000/750	943U01000V‡	4.2/3.6	943U01000T	2.1	10.8 (4.9)
48" (1220)	167	668	943U00668B‡-1220	5.6	943U00668C‡-1220	3.2	943U00668N‡-1220	2.4	668/502	943U00668V‡-1220	2.8/2.4	-	-	10.8 (4.9)
48" (1220)	200	800	943U00800B‡-1220	6.7	943U00800C‡-1220	3.8	943U00800N‡-1220	2.9	800/600	943U00800V‡-1220	3.3/2.9	-	-	10.8 (4.9)
60" (1525)	250	1250	-	-	943U01250C‡	6	943U01250N‡	4.5	1250/938	943U01250V‡	5.2/4.5	943U01250T	2.6	13.2 (6)
60" (1525)	167	835	943U00835B‡-1525	7	943U00835C‡-1525	4	943U00835N‡-1525	3	835/627	943U00835V‡-1525	3.5/3	943U00835T-1525	1.7	13.2 (6)
60" (1525)	200	1000	-	-	943U01000C‡-1525	4.8	943U01000N‡-1525	3.6	1000/750	943U01000V‡-1525	4.2/3.6	943U01000T-1525	2.1	13.2 (6)

‡Standard colors - Add BK for Semi-Gloss Black to the end of the catalog number when ‡ is indicated.  
Special or custom colors - See inside back cover for color codes to be added to end of catalog number.

### Models of compatible top trench grilles

Trench dimension - Figure 1	
<b>W:</b> 10 in. (254 mm) minimum <b>D:</b> 6 in. to 7 15/16 in. (153 mm a 202 mm) <b>C:</b> 2 1/2 in. (64 mm) minimum <b>Price per linear foot</b>	<b>W:</b> 10 in. (254 mm) minimum <b>D:</b> 8 in. (204 mm) minimum <b>C:</b> 2 1/2 in. (64 mm) minimum <b>Price per linear foot</b>

Figure 1

Manufacturer	Grille Model	167 W/ft.	200 W/ft.	250 W/ft.	167 W/ft.	200 W/ft.	250 W/ft.
Nailor Industries www.nailor.com	49-240	✓	-	-	✓	✓	-
	49-241	✓	-	-	✓	✓	-
	49-243	✓	-	-	✓	✓	-
	49-280	✓	✓	-	✓	✓	✓
	49-281	✓	✓	-	✓	✓	✓
Price Industries www.priceindustries.com	LBP/LBPH 15B	✓	✓	-	✓	✓	✓
	LBP/LBPH 16B	✓	✓	-	✓	✓	✓
	LBP/LBPH 25C	-	-	-	✓	-	-

NOTE: Vanes or deflectors options with grille are prohibited.



# Thermostats

## Line Voltage Thermostats (APPLICABLE WHEN ON/OFF LINE VOLTAGE CONTROL IS REQUIRED)

Catalog Number	Switch Type	Color	Type	Tamper-proof	Thermometer	Amps @ 120-240V	Amps @ 277V	Pilot Duty	Positive Off	Temperature Range °F
T498A1810	Bimetal	Beige	SPST	No	No	22	19	–	No	40-80
OTL221	Bimetal	White	SPST	No	No	22	19	–	No	41-90
OTL222			DPST						Yes	
TH114-A-240D	Electronic	White	DPST	Yes	Digital	15A@ 208 & 240	–	–	Yes	40-86
OTH3000			Pulse			11.5	–	–	No	
OTH3000P			11.5			16	–			
OTH4000			16.7			–	–			
OTH4000P			16.7			–	–			
OTH5007			–			14.4	–			

## Low Voltage Thermostats (APPLICABLE WHEN R2 OPTION IS INCLUDED)

Catalog Number	Switch Type	Color	Type	Tamper-proof	Thermometer	Amps @ 120-240V	Amps @ 277V	Pilot Duty	Positive Off	Temperature Range °F
901-1006998	Bimetal	White	SPST	No	No	–	–	30VA at 30V max	Yes	50-90
T822K1018	Bimetal	White	SPST	No	No	–	–	30VA at 30V max	Yes	45-95

## Low Voltage Electronic Thermostats (APPLICABLE WHEN R2 or R7 TRIAC OPTION IS INCLUDED)

Catalog Number	Switch Type	Color	Type	Tamper-proof	Thermometer	Amps @ 120-240V	Amps @ 277V	Output Signal	Positive Off	Temperature Range °F
OTH24	Electronic	White	Pulse (15 min. cycle)	Yes	Digital	–	–	24VAC (.5A)	No	41-97
OTH24-AFR	Electronic	White	Pulse (15 min. cycle)	No	Digital	–	–	24VAC (.5A)	No	41-97

# Controllers and Accessories

## Controllers

Catalog Number	Description	Amps @ 120-240V	Amps @ 277V	Input Signal
RT850	Triac Relay without transformer (pulsing) 120/208/240/277 V	23	23	24 VAC & 4-32 VDC
RT850T-240	Triac Relay with transformer 208/240 V	23	–	24 VAC
RT850T-277	Triac Relay with transformer 277 V	–	23	24 VAC
RC840	On-Off Relay without transformer 120/208/240/277 V	22	18	–
RC840T-240	On-Off Relay with transformer 208/240 V	22	–	–
RC840T-120	On-Off Relay with transformer 120V	22	–	–
RC840T-277	On-Off Relay with transformer 277 V	–	18	–

## Accessories -

Clear universal thermostat guard. Protects both line and low voltage thermostats against vandalism, damage, and unauthorized adjustment of thermostat settings.

Catalog Number	Description
F29-0143	Inside dimensions: 6-3/8" x 3-1/2", 3" (depth)
F29-0198	Inside dimensions: 8-1/4" x 5-3/8", 3-1/2" (depth)



OTL221  
OTL222



T498A1810



OTH 4000P



OTH3000P



OTH3000



OTH 4000



OTH5007



901-1006998



T822K1018



OTH24-AFR



OTH24

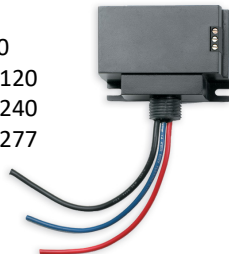


TH114-A-240D

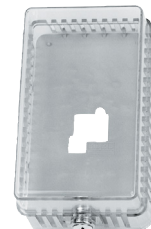


RT850  
RT850T-240

RC840  
RC840T-120  
RC840T-240  
RC840T-277



F29-0198



F29-0143

# OTHER PRODUCT CATALOGS

## EXPLOSION-PROOF AND FAN-FORCED ELECTRIC UNIT HEATERS



## WALL, CEILING & FLOOR HEATERS



# LIMITED WARRANTY

Industrial Engineering and Equipment Company (INDEECO) new products are warranted against defects in workmanship, material, design, labeling and packaging. No other warranty, expressed or implied, written or oral, applies. No person other than an officer or the general manager of INDEECO is authorized to give any other warranty or assume any liability.

## **WARRANTY PERIOD**

This warranty is effective for eighteen months from the date of shipment of the product from INDEECO's factory, or for twelve months from the date the product is first placed into service, whichever period lapses first.

## **CONDITIONS OF WARRANTY**

INDEECO products must be installed, operated, and maintained in accordance with INDEECO's instructions. INDEECO is not liable for damage or unsatisfactory performance of the product resulting from accident, negligence, alteration, unauthorized repair, improper application or installation of the product, improper specifications, or corrosion. INDEECO IS NOT LIABLE FOR ANY INCIDENTAL OR CONSEQUENTIAL DAMAGES. Claims against carriers for damage in transit must be filed by the purchaser with the carrier.

## **REMEDY**

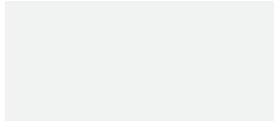
Contact INDEECO at (314) 644-4300, for a Return Material Authorization Number (RMA#) and return instructions.

If after receipt of the product and the claim, INDEECO finds to its reasonable satisfaction that the product is defective in workmanship, material, design, labeling or packaging, the product will be repaired or replaced, or the purchase price refunded at INDEECO's option. There will be no charge to the purchaser for parts or labor. Removal and reinstallation of the product, and shipment of the product to INDEECO for repair or inspection, shall be at the purchaser's risk and expense.

THE REPAIR, REPLACEMENT, OR REFUND PROVIDED FOR IN THIS LIMITED WARRANTY IS THE EXCLUSIVE REMEDY OF THE PURCHASER. THIS WARRANTY IS EXPRESSLY IN LIEU OF ANY OTHER, INCLUDING ANY WARRANTY OF MERCHANTABILITY OR FITNESS FOR A PARTICULAR PURPOSE. THERE ARE NO WARRANTIES WHICH EXTEND BEYOND THE TERMS OF THIS LIMITED WARRANTY.

# COLOR SELECTION CHART

## Standard Colors 900 Series



White  
(W)



Almond  
(A)

## Special Colors 900 Series



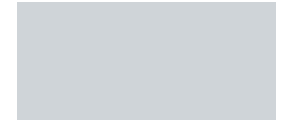
Metallic Silver  
(AE)



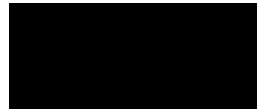
Metallic Charcoal  
(CM)



Bronze  
(BZ)



Aluminum  
(AL)



Semi-Gloss Black  
(BK)

Refer to catalog listings for standard and special color availability. Use color codes in parentheses when specifying and ordering. Custom colors are also available on 900 Series. Special and Optional Colors subject to setup charges. Colors represented are approximate.



When you need more  
than an off-the-shelf,  
standardized product.  
Ask **More.**