

# 2T & T2T Series

## PRODUCT DATA SHEET

### Screw Plug Heater

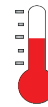
**Durable, efficient chemical heater**

For use in most aqueous alkaline solutions and rinse tanks

Heavy wall metal sheaths and screwplug in 316 stainless steel & titanium

Vapor tight, flame retardant PVC enclosure

Grounded construction



Up to 82°C (180°F)



2,000 watts to 18,000 watts.



240 or 480 Volts  
208, 380, 415, 600 and other voltages available



Steel, 304 stainless steel, 316 stainless steel and titanium.

2T SERIES, 2" (STAINLESS STEEL) SCREW PLUG HEATERS						
WATTS	VOLTS	OVERALL LENGTH In./ (mm)	PIPE THREAD	NO. OF ELEMENTS	MODEL NUMBER	SHIP WGT. Lbs./ (kg)
2000	240	8	2	2	2T2208	5
	480	(203)			2T2408	(2,3)
3000	240	12	2	2	2T3212	6
	480	(305)			2T3412	(2,7)
4000	240	18	2	2	2T4218	7
	480	(457)			2T4418	(3,2)
6000	240	25	2	2	2T6225	8
	480	(635)			2T6425	(3,6)
8000	240	32	2	2	2T8232	10
	480	(813)			2T8432	(4,5)
10000	240	40	2	2	2T10240	11
	480	(1016)			2T10440	(5)
12000	480	48	2	2	2T12448	13
		(1219)				(5,9)
15000	480	54	2	2	2T15454	15
		(1372)				(6,8)

T2T SERIES, 2" (TITANIUM) SCREW PLUG HEATERS						
WATTS	VOLTS	OVERALL LENGTH In./ (mm)	PIPE THREAD	NO. OF ELEMENTS	MODEL NUMBER	SHIP WGT. Lbs./ (kg)
2000	240	8	2	2	T2T2208	5
	480	(203)			T2T2408	(2,3)
4000	240	18	2	2	T2T4218	7
	480	(457)			T2T4418	(3,2)
6000	240	25	2	2	T2T6225	8
	480	(635)			T2T6425	(3,6)
8000	240	32	2	2	T2T8232	10
	480	(813)			T2T8432	(4,5)
12000	480	48	2	2	T2T12448	13
		(1219)				(5,9)

Single phase standard

**PROCESS TECHNOLOGY**

ISO 9001:2015  
WITH DESIGN CERTIFIED

**2T & T2T Series DATA SHEET**

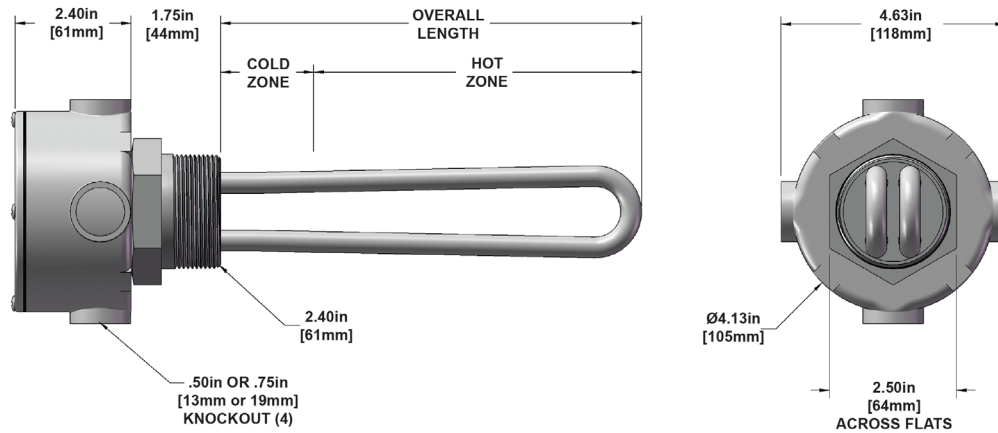
**Features & Values**

- For use in most aqueous alkaline solutions and rinse tanks. Check solution recommendation chart with your chemical supplier for proper sheath material selection
- Heavy wall metal sheaths and screwplug in 316 stainless steel and titanium
- Watt densities up to 45-55 watts per square inch for 316 Stainless steel and <60 watts per square inch for titanium ensure long life service
- Vapor tight, flame retardant PVC enclosure
- Temperature and level controls sized to match the heater
- Lower watt densities for highly viscous solutions

**Specifications**

<b>Wattages</b>	2,000 to 18,000 Watts
<b>Voltages</b>	240 or 480 Volts 208, 380, 415, 600 and other voltages available
<b>Temperature Range</b>	Up to 180°C (82°F)
<b>Options</b>	<ul style="list-style-type: none"> <li>▫ Special configurations and lengths</li> <li>▫ Thermowells</li> <li>▫ Explosion resistant enclosures</li> <li>▫ Carbon steel or incoloy elements</li> <li>▫ Integral thermostats</li> </ul>
<b>Safety Features</b>	<ul style="list-style-type: none"> <li>▫ Grounded construction</li> </ul>

**Dimensions**



**Model Number Breakdown**

Series	Wattage	Voltage	Overall Length	Phase
2T = 316 stainless steel	2 = 2000	1 = 120	8 = 2kW	no designator = Single phase (std)
T2T = titanium	3 = 3000	2 = 240	12 = 3kW	-3 = three phase power ( three elements )
IN2T = incoloy	4 = 4000	3 = 380	18 = 4kW	-M2 = explosion/moisture resisting housing
	6 = 6000	4 = 480	25 = 6kW	-W = thermowell
	8 = 8000	5 = 415	32 = 8kW	-T = intergral thermostat
	10 = 10000	6 = 600	40 = 10kW (SS only)	
	12 = 12000	7 = 400	48 = 12kW	
	15 = 15000	8 = 208	54 = 15kW (SS only)	
		9 = 220		
		0 = 200		



# 5T & T5T Series

## PRODUCT DATA SHEET

### Screw Plug Heater

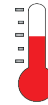
#### Durable, efficient chemical heater

For use in most aqueous alkaline solutions and rinse tanks

Heavy wall metal sheaths and screwplug in 316 stainless steel & titanium

Vapor tight, flame retardant PVC enclosure

Grounded construction



Up to 82°C (180°F)



2,000 watts to 18,000 watts



240 or 480 Volts  
208, 380, 415, 600 and other voltages available



Steel, 304 stainless steel, 316 stainless steel and titanium.

5T SERIES, 2-1/2" (STAINLESS STEEL) SCREW PLUG HEATERS						
WATTS	VOLTS	OVERALL LENGTH In./mm	PIPE THREAD	NO. OF ELEMENTS	MODEL NUMBER	SHIP WGT. Lbs./kg
4500	240	12	2-1/2	3	5T4.5212	7
	480	(305)			5T4.5412	(3.5)
6000	240	18	2-1/2	3	5T6218	8
	480	(458)			5T6418	(4)
9000	240	25	2-1/2	3	5T9225	9
	480	(635)			5T9425	(4.5)
12000	240	32	2-1/2	3	5T12232	10
	480	(813)			5T12432	(4.5)
15000	240	40	2-1/2	3	5T15240	12
	480	(1016)			5T15440	(5.5)
18000	240	48	2-1/2	3	5T18248	15
	480	(1220)			5T18448	(7)

T5T SERIES, 2-1/2" (TITANIUM) SCREW PLUG HEATERS						
WATTS	VOLTS	OVERALL LENGTH In./mm	PIPE THREAD	NO. OF ELEMENTS	MODEL NUMBER	SHIP WGT. Lbs./kg
6000	240	18	2-1/2	3	T5T6218	6
	480	(460)			T5T6418	(3)
9000	240	25	2-1/2	3	T5T9225	7
	480	(635)			T5T9425	(3.5)
12000	240	32	2-1/2	3	T5T12232	8
	480	(815)			T5T12432	(4)
18000	240	48	2-1/2	3	T5T18248	13
	480	(1220)			T5T18448	(6)

Single phase standard

**PROCESS TECHNOLOGY**

ISO 9001:2015  
WITH DESIGN CERTIFIED

**5T & T5T Series DATA SHEET**

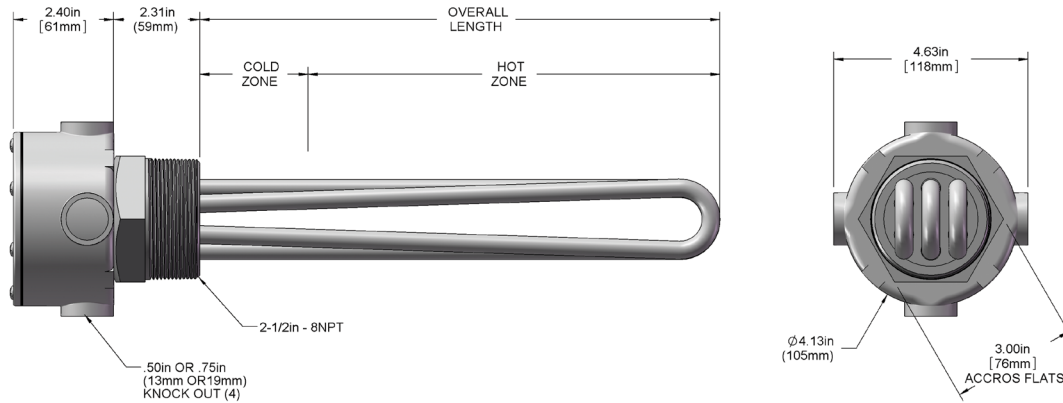
**Features & Values**

- For use in most aqueous alkaline solutions and rinse tanks. Check solution recommendation chart with your chemical supplier for proper sheath material selection
- Heavy wall metal sheaths and screwplug in 316 stainless steel and titanium
- Watt densities up to 45-55 watts per square inch for 316 Stainless steel and <60 watts per square inch for titanium ensure long life service
- Vapor tight, flame retardant PVC enclosure
- Temperature and level controls sized to match the heater
- Lower watt densities for highly viscous solutions

**Specifications**

<b>Wattages</b>	2,000 to 18,000 Watts
<b>Voltages</b>	240 or 480 Volts 208, 380, 415, 600 and other voltages available
<b>Temperature Range</b>	Up to 180°C (82°F)
<b>Options</b>	<ul style="list-style-type: none"> <li>▫ Special configurations and lengths</li> <li>▫ Thermowells</li> <li>▫ Explosion resistant enclosures</li> <li>▫ Carbon steel or incoloy elements</li> <li>▫ Integral thermostats</li> </ul>
<b>Safety Features</b>	<ul style="list-style-type: none"> <li>▫ Grounded construction</li> </ul>

**Dimensions**



**Model Number Breakdown**

Series	Wattage	Voltage	Overall Length	Phase
5T = 316 stainless steel	4.5 = 4500	2 = 240	12 = 4.5kW	no designator = three phase power (standard)
IN5T = incoloy	6 = 6000	4 = 480	13 = 6kW	-1 = single phase power
T5T = titanium	9 = 9000	-208- = 208	17 = 6kW	-M2 = explosion/moisture resistant housing
	12 = 12000	-380- = 380	23 = 9kW	-W = thermowell
	15 = 15000	-415- = 415	25 = 9kW	-T2 = integral thermostat
	18 = 18000	-600- = 600	28 = 12kW	-X = any special configuration not called out
		7 = 400	32 = 12kW	
		8 = 208	38 = 18kW	
		9 = 220	40 = 15kW	
		0 = 200	48 = 18kW	



# HXT Series

## PRODUCT DATA SHEET

### Fluoropolymer Heater

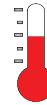
**Excellent chemical resistance to aggressive acids!**

Inert to most solutions

Low Watt density design saves space & ensures long life

Corrosion-resistant head

Grounded element



Up to 100°C (212°F)



1,000 to 6,000 Watts



120 to 600 Volts  
600V on 4,500W or lower only



PTFE sleeved 304 stainless steel



CE (except 600 Volts)

HXT SERIES, FLUOROPOLYMER (PTFE) SCREW PLUG HEATERS						
WATTS	VOLTS	OVERALL LENGTH in/(mm)	PIPE THREAD	MODEL NUMBER	SHIP WGT. lbs/(kg)	
1000	120	9	2-1/2	HXT1109	9	
	240	(229)	2-1/2	HXT1209	(4.1)	
2000	120	14	2-1/2	HXT2114	12	
	240	(356)	2-1/2	HXT2214	(5.4)	
	480		2-1/2	HXT2414		
3000	240	19	2-1/2	HXT3219	15	
	480	(483)	2-1/2	HXT3419	(6.8)	
4000	240	26	2-1/2	HXT4226	17	
	480	(660)	2-1/2	HXT4426	(7.7)	
5000	240	30	2-1/2	HXT5230	20	
	480	(762)	2-1/2	HXT5430	(9.1)	
6000	240	34	2-1/2	HXT6234	23	
	480	(864)	2-1/2	HXT6434	(10.4)	

Single phase only.

**PROCESS  
TECHNOLOGY**

ISO 9001:2015  
WITH DESIGN CERTIFIED

**Features & Values**

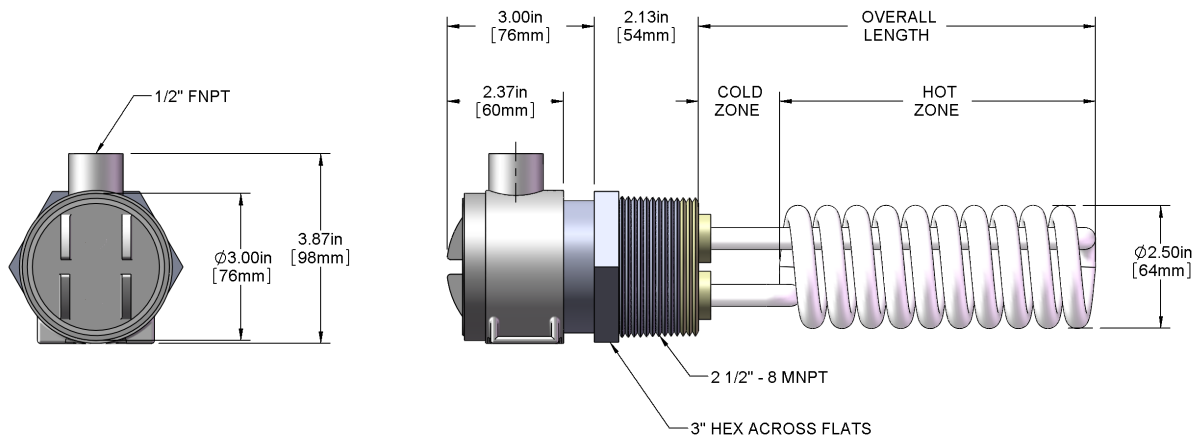
- Inert to most aqueous acid, alkaline, anodizing, & pickling solutions up to 100°C (212°F)
- Rugged, heavy wall PTFE covered stainless steel element and PVDF screw plug reduces permeation. Guaranteed 100% pinhole free
- Space saving & long service life with low Watt density design of 10 W/in<sup>2</sup> (1.5 W/cm<sup>2</sup>)
- Polypropylene terminal enclosure with 3 ft (.9m) flexible PVC liquid tight conduit
- Lower Watt densities available for highly viscous solutions & technical acids

**Specifications**

<b>Wattages</b>	1,000 to 18,000 Watts
<b>Voltages</b>	120 to 600 Volts (600V on 4,500W or lower only)
<b>Temperature Range</b>	Up to 100°C (212°F)
<b>Safety Features</b>	▫ Grounded internal metal element
<b>Certifications</b>	CE compliant (except 600V)

NOTE: Intended for horizontal installation only.

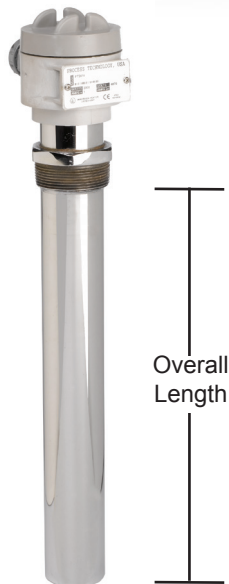
**Dimensions**



**Model Number Breakdown**

Series	Wattage	Voltage	Length (in.)	Type of Protector	Wire & Conduit Length
HXT = PTFE	1 = 1000	1 = 120	9 = 1kW	Resettable Fuse (Type-J TC)	36" length standard (no designator)
	2 = 2000	2 = 240	14 = 2kW	P3 (std) = Solutions up to 250°F	Specify variations from standard Ex: -X84 = 84"
	3 = 3000	3 = 380	19 = 3kW		
	4 = 4000	4 = 480	26 = 4kW		
	5 = 5000	5 = 415	30 = 5kW		
	6 = 6000	6 = 600	34 = 6kW		
		7 = 400	Specify custom lengths		
		8 = 208			
		9 = 220			
		0 = 200			





T SERIES, 2" TUBULAR SCREW PLUG HEATERS							
WATTS	VOLTS	OVERALL LENGTH In./(mm)	PIPE THREAD	304 SS	316 SS	TITANIUM	SHIP WGT. Lbs./(kg)
1000	120	10 (254)	2	FT1110	ST1110	TT1110	11
	240			FT1210	ST1210	TT1210	(5)
2000	120	14 (356)	2	FT2114	ST2114	TT2114	14
	240			FT2214	ST2214	TT2214	(6.4)
3000	480			FT2414	ST2414	TT2414	
	240	19 (483)	2	FT3219	ST3219	TT3219	16
480		FT3419		ST3419	TT3419	(7.3)	
4000	240	23 (584)	2	FT4223	ST4223	TT4223	20
	480			FT4423	ST4423	TT4423	(9.1)
6000	240	33 (838)	2	FT6233	ST6233	TT6233	26
	480			FT6433	ST6433	TT6433	(11.8)
8000	240	40 (1016)	2	FT8240	ST8240	TT8240	29
	480			FT8440	ST8440	TT8440	(13.2)
9000	240	47 (1194)	2	FT9247	ST9247	TT9247	32
	480			FT9447	ST9447	TT9447	(14.5)
12000	240	61 (1549)	2	FT12261	ST12261	TT12261	37
	480			FT12461	ST12461	TT12461	(16.8)

Other sizes available, consult factory.



## T Series Heater Features and Benefits

### SUPERIOR CHEMICAL RESISTANCE:

- ◆ For use in most aqueous alkaline solutions, and plating and phosphate tanks. Check solution recommendation chart with your chemical supplier for proper sheath material selection.

### RUGGED CONSTRUCTION:

- ◆ Heavy wall metal sheaths and screwplug available in:  
304 stainless steel  
316 stainless steel  
Titanium

### OUTSTANDING PERFORMANCE:

- ◆ Watt densities up to 35 watts per square inch (5.4 w/cm<sup>2</sup>) ensure long service life.

### CORROSION RESISTANT HEAD:

- ◆ Vapor resistant, flame retardant polypropylene terminal enclosure with 3 ft (.9m) flexible PVC liquid tight conduit.

### SAFETY FEATURES:

- ◆ Grounded construction.

**CERTIFICATIONS:** cULus listed (except steel) and CE compliant.

**SIZES:** 1,000 watts to 12,000 watts.

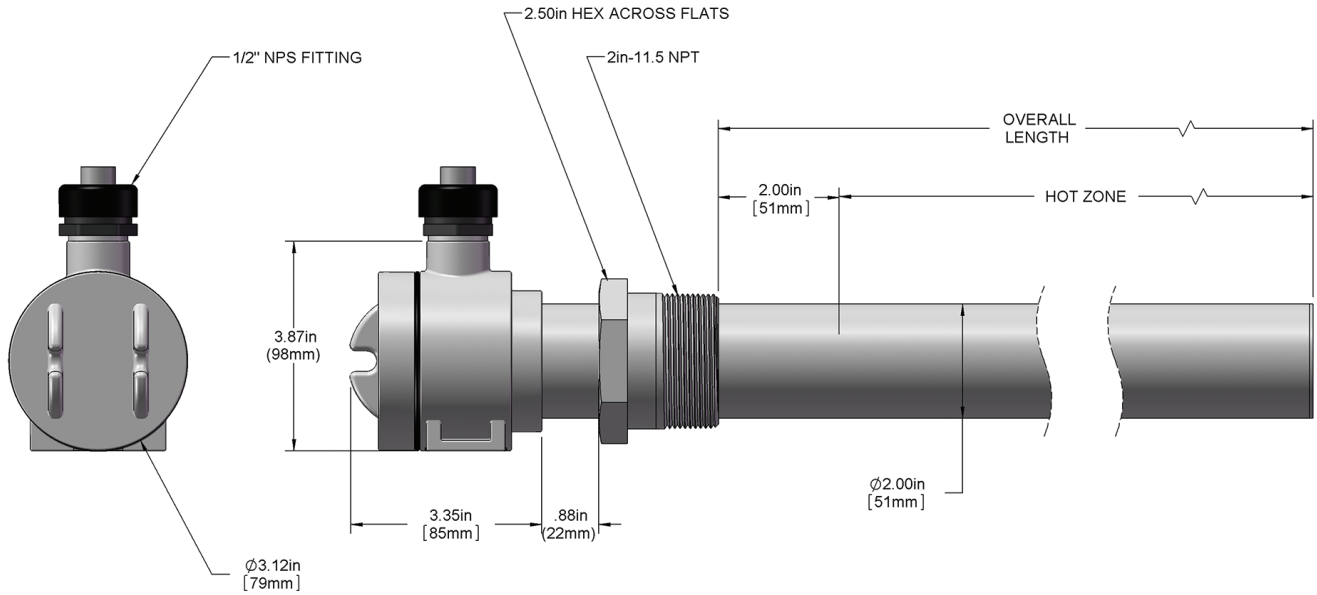
### VOLTAGES:

- ◆ 120 to 600 volts.

### OPTIONS AVAILABLE (consult factory):

- ◆ Special configurations and lengths.
- ◆ Explosion resistant enclosures.
- ◆ Longer wire and conduit lengths.
- ◆ Lower watt densities for highly viscous solutions.
- ◆ Temperature and level controls sized to match the heater.

## DIMENSIONS



## 2" TUBULAR SCREW PLUG HEATER ORDERING INFORMATION

Series	Wattage	Voltage	Length (in.)	Options	Wire and Conduit Length
1 = 1000 2 = 2000 3 = 3000 4 = 4000 6 = 6000 8 = 8000 9 = 9000 12 = 12000	1 = 120 2 = 240 3 = 380 4 = 480 5 = 415 6 = 600 7 = 400 8 = 208 9 = 220 0 = 200	10 = 1kW 14 = 2kW 19 = 3kW 23 = 4kW 33 = 6kW 40 = 8kW 47 = 9kW 61 = 12kW specify (custom lengths available)	no designator = single phase power (standard) -3 = three phase power	no designator = 36" length standard specify variations from standard Ex: -X84 = 84"	
FT = 304 stainless steel ST = 316 stainless steel TT = titanium					

### ORDERING EXAMPLE:

FT12261

304 stainless steel, 12,000 watts, 240 volts, 61" overall length.

