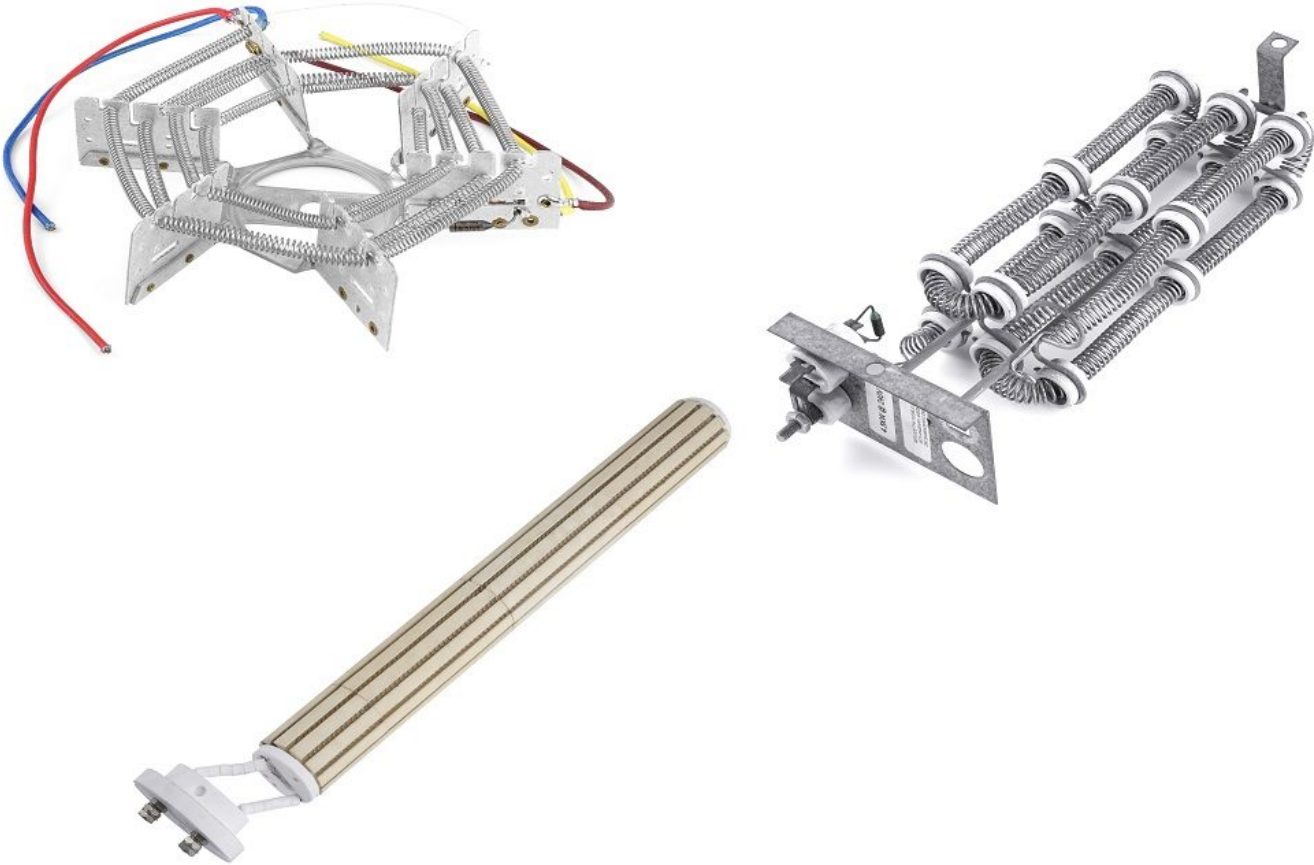


Open Coil



Open Coil

Features

- Max Temperature :500°C ◦
- Max Voltage:380V ◦
- Max Watt:10000W ◦
- Size Range:Upon request ◦

Application examples

- Air conditioner 、 Dehumidifier ◦
- etc ◦